



Signaling Specifications

Bulletin Numbers 852C, 852D, 854J, 854K, 855B, 855BL, 855BM, 855BS, 855D, 855E, 855F, 855H, 855HM, 855L, 855P, 855PB, 855PC, 855PD, 855PS, 855R, 855T, 855W, 855XB, 855XC, 855XH, 855XM, and 856T

Topic	Page
Summary of Changes	2
Bulletin 852C/852D LED Light Indicators	3
Bulletin 855L Panel Light Bars	7
Bulletin 855B/BL/BM/BS Industrial Beacons	9
Miniature Square Beacons	9
Industrial Round Beacons	11
Bulletin 855R Industrial Round Beacons	21
110 mm Diameter Complete Beacons	21
110 mm Diameter LED Modules	22
Bulletin 855D/855F Compact Control Tower Stack Lights	29
30 mm Compact Control Tower Stack Lights	29
70 mm Compact Control Tower Stack Lights	33
Bulletin 854J/854K Control Tower Stack Lights	37
40 mm Control Tower Stack Lights	37
60 mm Control Tower Stack Lights	45
Bulletin 855E/855T Control Tower Stack Lights	55
50 mm Control Tower Stack Lights	55
70 mm Control Tower Stack Lights	61
Bulletin 856T Control Tower Stack Lights, 70 mm	77
70 mm Light Modules	77
Sound Modules	78
Power Modules	78
IO-link Module	78
Base Mounting Adapters	79
Pre-assembled Bases	80
Pre-configured Control Tower Lights, 1...7 Modules	81

Topic	Page
Bulletin 855W Wall-mount Signal Light	91
Pre-assembled Wall-mount Signal Lights, 2...5 Light Levels	91
Bulletin 855P Panel-mount Signaling Alarms	93
Panel-mount Sounder	93
Panel-mount Combined Sounder with LED Beacon	93
Panel-mount Strobe	94
Panel-mount Selectable Steady or Flashing LED Beacon	94
Panel-mount Dual-circuit Alarms	95
Bulletin 855XB/855XC/855XH Hazardous Location Beacons, Horns, and Combination Units	99
Strobe Beacons	99
Combination Horn Sounder and Strobe Beacons	99
Alarm Horn Sounders	100
Bulletin 855H Industrial Electronic Horns	109
General-purpose Electronic Horns	109
High-performance Electronic Horns	111
High-performance Electronic Horns with Attached Strobe Beacons	113
Recordable Electronic Horns	119
Recordable Electronic Horns with Attached LED Beacons	119
High-performance Electronic Metal Horns	123
High-performance Electronic Metal Horns with Attached LED Beacon	123
Bulletin 855XM Hazardous Location Metal Horns	127
Alarm Horn Sounders	127
Additional Resources	135

Summary of Changes

This publication contains the following new or updated information. This list includes substantive updates only and is not intended to reflect all changes.

Topic	Page
Addition of Bulletin 852C/852D LED Light Indicators	3
Corrected footnotes in High-performance Electronic Horns specification table	111
Updated list of Additional Resources	135

Overview

Our signaling devices are intended for use in industrial signaling applications. They are designed for fast, flexible, and easy installation to save you time with advanced modular assembly and unparalleled performance and reliability.

Our signaling devices are available in two types:

- Visual devices
 - panel-mount xenon strobes,
 - miniature square beacons,
 - panel-mount with selectable steady or flashing light indicators,
 - wall-mount signal lights, panel light bars,
 - industrial round beacons, tower lights,
 - light emitting diode (LED) light indicators, and
 - panel-mount dual circuit alarms.
- Audible devices
 - general and high-performance electronic horns,
 - panel-mount signaling alarms, and
 - hazardous location horns and beacons.

Bulletin 852C/852D LED Light Indicators

The Bulletin 852 LED light indicator product line is intended for use in industrial signaling applications only.

These LED light indicators provide indication for multiple machine or equipment conditions within the same device, which achieves savings in component costs and reduces installation time.

Features include:

- 35 mm or 55 mm diameter
- 24V DC for 3-color or 10...30V DC for 7-color LED
- Suitable for indoor or outdoor use
- Available with or without audible option in a compact form factor
- Integral M12, 5-pin A-coded termination
- Optional vertical mounting bracket accessory sold separately



852 **C** - **B** **24** **RGY** **P** **QD5**
 a b c d e f

a	
Diameter	
Code	Description
C	35 mm
D	55 mm

c	
Voltage	
Code	Description
24	24V DC ⁽¹⁾
30	10...30V DC ⁽²⁾

e	
Audible Sound	
Code	Description
-	No sound
P	Piezo sound



b	
Housing Color	
Code	Description
B	Black

d	
LED Color	
Code	Description
RGY	3-color: red, green, amber ⁽¹⁾
MC	7-color: green, red, yellow, blue, white, turquoise, magenta ⁽²⁾

f	
Termination	
Code	Description
QD5	Integral M12, 5-pin A-coded

(1) Voltage, Code 24 is only valid with LED Color Code RGY.
 (2) Voltage, Code 30 is only valid with LED Color Code MC.

Accessories

Description		For Use With	Cat. No.
Vertical mounting bracket, black anodized aluminum material (mounting hardware not supplied) See Accessories: Vertical Mounting Brackets on page 6 for approximate dimensions		852C 35 mm LED light indicators	852C-ABVM
		852D 55 mm LED light indicators	852D-ABVM

Specifications

Table 1 - Standards and Certifications ⁽¹⁾

Standards Compliance	Certifications
<ul style="list-style-type: none"> EN 61000-6-2:2005 EN 61000-6-3:2007+A1:2011 EN IEC 63000:2018 UL508 CAN/CSA C22/2 No. 14-18 	<ul style="list-style-type: none"> c-UL-us Listed (File No. E56639, Guides NMTR, NMTR7) CE Marked UKCA RCM KCC

(1) For the most current certification information, use "852C" or "852D" as the search criteria from rok.auto/certifications.

Table 2 - Mechanical

Attribute	Value	
	Bulletin 852C	Bulletin 852D
Shock	20 G peak	
Vibration	6 G peak	
Impact	IK06	
Mounting thread	M22 x 1.5	M30 x 1.5
Mounting ring torque	1.2 N•m (10.6 lb•in)	1.7 N•m (15 lb•in)
Hole size	25 mm	32 mm

Table 3 - Environment

Attribute	Value	
Ingress ratings	UL Type 4X ⁽¹⁾ , IP 65/IP 69K ⁽²⁾	
Temperature ranges	Operating	-20...+50 °C (-4...+122 °F)
	Storage	-30...+70 °C (-22...+158 °F)
Relative humidity	95% at 50 °C (122 °F)	

(1) When mounted on a suitable type enclosure, otherwise UL Type 1.

(2) When mounted on a suitable type enclosure, otherwise IP65.

Table 4 - Materials

Part	Value
Housing	Black polycarbonate
Lens	Translucent white polycarbonate
Mounting nut	Glass-filled nylon
Gasket	High-density polyurethane

Table 5 - Electrical

Cat. No.	Operating Voltage	Nominal Current at 24V DC (mA)	Inrush Current	Leakage Immunity	Connection
852C-B24RGYQD5	24V DC ±10%	15	not applicable	> 1.0 mA	Integral M12, 5-pin A-coded
852C-B24RGYPQD5		32	600 mA, 300 μS		
852C-B30MCQD5	10...30V DC	31	900 mA, 450 μS		
852C-B30MCPQD5		45			
852D-B24RGYQD5	24V DC ±10%	42	not applicable		
852D-B24RGYPQD5		60	750 mA, 300 μS		
852D-B30MCQD5	10...30V DC	54	<1 A, 3.75 mS		
852D-B30MCPQD5		68			

Table 6 - Sound

Cat. No.	Sound Output at 1 m	Sound Frequency	Piezo Type
852C-B24RGYPQD5	80 dB (A) nominal	3400 Hz (± 200 Hz)	Continuous
852C-B30MCPQD5			
852D-B24RGYPQD5	85 dB (A) nominal		Pulsing Tone (1 Hz)
852D-B30MCPQD5			

Table 7 - Light Output

Cat. No.	Output Color	Light Output	
		Candela (cd)	Lumens (lm)
852C-B24RGYQD5 852C-B24RGYPQD5	Red	0.32	4.0
	Green	0.32	4.0
	Amber	0.31	3.9
852C-B30MCQD5 852C-B30MCPQD5	Red	0.22	2.8
	Green	0.27	3.4
	Yellow	0.42	5.3
	Blue	0.02	0.3
	White	0.41	5.2
	Magenta	0.16	2.0
	Turquoise	0.29	3.6
852D-B24RGYQD5 852D-B24RGYPQD5	Red	1.83	23.0
	Green	1.75	22.0
	Amber	1.68	21.1
852D-B30MCQD5 852D-B30MCPQD5	Red	0.55	6.9
	Green	1.38	17.3
	Yellow	1.22	15.3
	Blue	0.12	1.5
	White	1.3	16.3
	Magenta	0.48	6.0
	Turquoise	0.91	11.4

Table 8 - Weight and Reliability

Cat. No.	Weight	Reliability (SN29500:2013/IEC 61709)	
	grams (ounces)	Mean Time to Failure (MTTF) in years	LED Service Life (hours)
852C-B24RGYQD5	35 (1.23)	> 824	50,000
852C-B24RGYPQD5		> 543	
852C-B30MCQD5		> 206	
852C-B30MCPQD5		> 201	
852D-B24RGYQD5	64 (2.26)	> 207	
852D-B24RGYPQD5	67 (2.36)	> 172	
852D-B30MCQD5	66 (2.33)	> 133	
852D-B30MCPQD5	69 (2.43)	> 120	

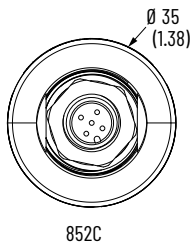
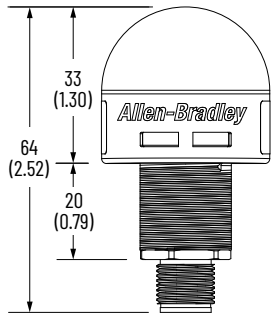
Approximate Dimensions

Dimensions are in millimeters (inches). Dimensions are not intended to be used for manufacturing purposes.

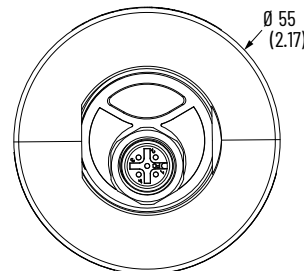
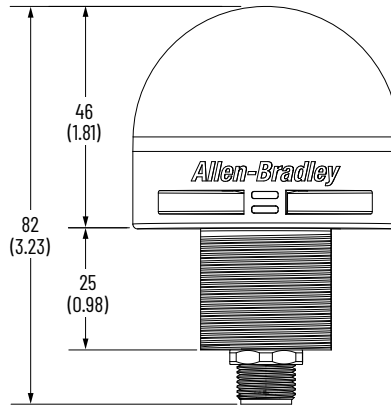


852 LED light indicators with piezo sound are illustrated. The approximate dimensions apply to LED light indicators with and without piezo sound.

852 LED Light Indicators

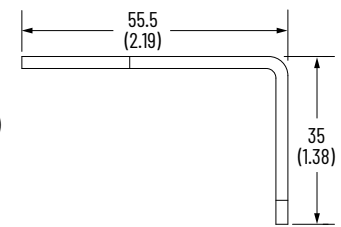
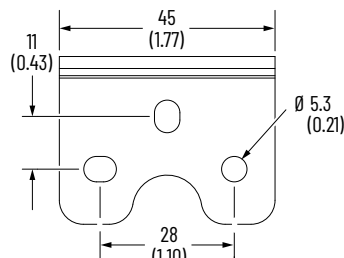
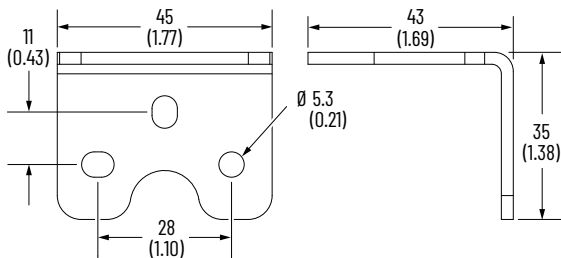
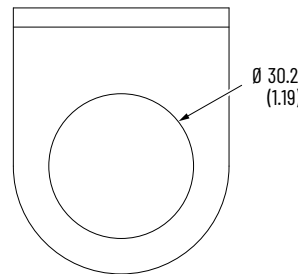
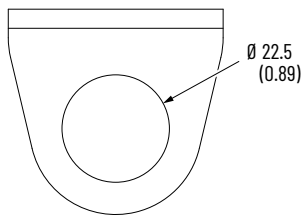


852C



852D

Accessories: Vertical Mounting Brackets



852C-ABVM
For 852C 35 mm LED Light Indicators

852D-ABVM
For 852D 55 mm LED Light Indicators

Bulletin 855L Panel Light Bars

Bulletin 855L panel light bars are ideal for original equipment manufacturers (OEMs) and panel builders who want to reduce the quantity of components without the loss of design reliability or functionality. These devices remove your need for a separate fluorescent lamps purchase. The 855L panel light bars can be left ON continuously due to low power consumption and minimum heat generation of modern status indicator technology.

Cat. No. 855L-NX4



Cat. No. 855L-NX1

852L - NX1
b

a	
Voltage, Switch Type	
Code	Description
NX1	24...48V, with on/off switch
NX2	24...48V, no switch
NX3	110...240V, with on/off switch
NX4	110...240V, no switch

Specifications

Attribute	855L-NX1, 855L-NX2	855L-NX3, 855L-NX4
Nominal input voltage	24...48V AC/DC, 50/60 Hz	855L-NX3: 110...240V AC, 50/60 Hz 855L-NX4: 110...240V AC/DC, 50/60 Hz
Input voltage limits	17...73V DC 17...54V AC, 50/60 Hz	90...250V DC (855L-NX4 only) 90...250V AC, 50/60 Hz
Nominal current	~360 mA at 24V DC/ ~185 mA at 48V DC	< 110 mA at 120V AC/ < 67 mA at 240V AC
Inrush current	1 A at 24V DC, ~2 A at 48V DC, 25 °C (77 °F)	~3.5 A at 120V AC/ ~7 A at 240V AC
Leakage current immunity	> 8 mA DC, > 13 mA AC	> 3 mA AC/~1 mA DC
Ingress protection	855L-NX1: UL Type 1, IP40 855L-NX2: UL Type 1, IP44	855L-NX3: UL Type 1, IP40 855L-NX4: UL Type 1, IP44
Operating temperature range		-35...+60 °C (-31...+140 °F)
Storage temperature range		-35...+85 °C (-31...+185 °F)
Wire size		22...14 AWG (0.5...2.5 mm ²)
Light beam angle		~70 degrees
Light emitting diode (LED) color		White
Light output, minimum		Minimum 470 lumens
Lens material		Polycarbonate (clear)
Base material		Polycarbonate (light gray)
Mounting orientation		No restrictions
Mounting screws (not provided)		2 x 1/4 in. (M5/M6)
Weight		380 g (< 1 lb)
LED mean time between failure (MTFB)		50,000 hours
Energy efficiency class		F

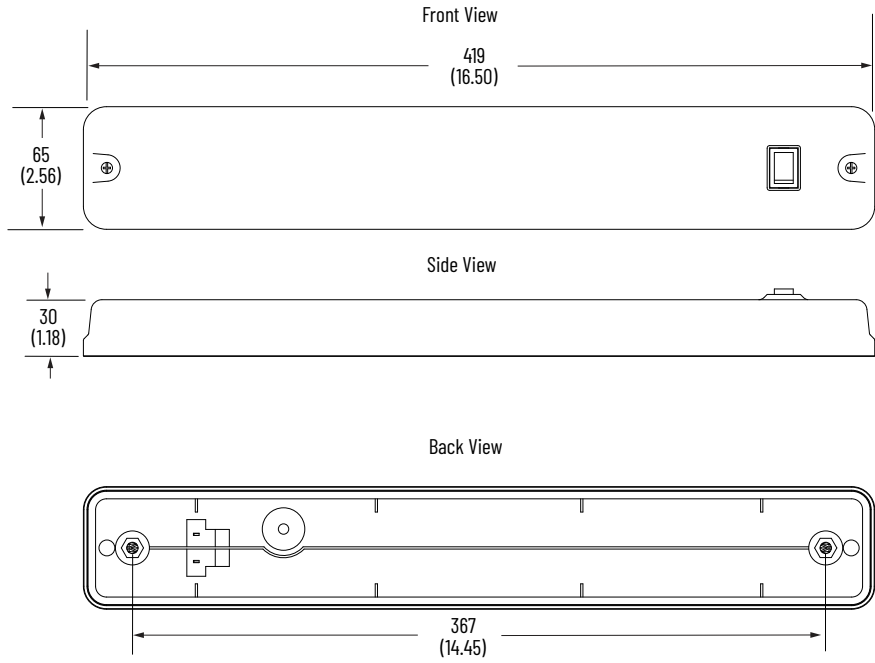
Table 9 - Standards and Certifications ⁽¹⁾

Standards Compliance	Certifications
<ul style="list-style-type: none"> EN61000-6-2 EN61000-6-3 EN60947-5-1 	<ul style="list-style-type: none"> CE Marked cULus File No. E14840

(1) For the most current certification information, use "855L" as the search criteria from rok.auto/certifications.

Approximate Dimensions

Dimensions are in millimeters (inches). Dimensions are not intended to be used for manufacturing purposes.



The Bulletin 855B industrial beacons product line includes miniature square and round beacons.

Miniature Square Beacons

Miniature square 5 J strobe beacons are for general signaling applications. Bases accept conduit connections in the side and back of the enclosure.



855B - G MS 24 R 3
a b c d e

a	
Housing Color	
Code	Description
G	Gray


b	
Beacon Type	
Code	Description
MS	Miniature square beacon

c	
Voltage	
Code	Description
24	24V AC/DC
10	115V AC, 50/60 Hz
20	230V AC, 50/60 Hz

d	
Illumination Type	
Code	Description
R	5 J strobe

e	
Lens Color	
Code	Description
3	Green
4	Red
5	Amber
6	Blue
7	Clear
8	Yellow

Accessories

Description	Color	Cat. No.
 Replacement beacon light lens	Red	855B-ABLR
	Green	855B-ABLG
	Amber	855B-ABLA
	Blue	855B-ABLB
	Clear	855B-ABLC
	Yellow	855B-ABLY

Specifications

Table 10 - Mechanical

Device	Shock	Vibration
All strobe beacons	50 G peak	5 G peak

Table 11 - Environment

Attribute	Value
Ingress ratings	UL Type 4/4X/13/3R, IP66
Operating temperature range	-25...+55 °C (-12...+131 °F)

Table 12 - Materials

Part	Material
Housing and lens	Polycarbonate
Gasket	Nitrile 70

Table 13 - Performance Ratings

Attribute	Device	Performance Rating
Xenon lamp rating	All strobe beacons	5 J

Table 14 - Operating Voltage

Device	Operating Voltage		
All strobe beacons	24V AC/DC, 50/60 Hz (±20%)	120V AC, 50/60 Hz (±10%)	230V AC, 50/60 Hz (±10%)

Table 15 - Current Consumption

Device	Current Consumption [mA]	
All strobe beacons	24V AC/DC	300/250
	120V AC	70
	230V AC	35

Table 16 - Flashing Frequency

Device	Flashing Frequency
Strobe beacon	DC: 1 Hz/ 1.5Hz/ 2x Flash AC: 1 Hz

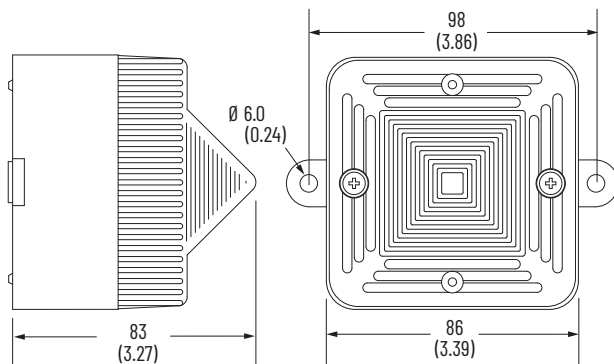
Table 17 - Standards and Certifications ⁽¹⁾

Standards Compliance	Compliance
<ul style="list-style-type: none"> • UL 464 • UL 1638 • CSA C22.2 No. 205 • EN/IEC 60947-1 	<ul style="list-style-type: none"> • EN/IEC 60947-5-1 • EN 6100-6-2 • EN 6100-6-4 • CAN/ULC-S526-M87
	<ul style="list-style-type: none"> • CE Marked • cULus Listed (File No. E197159, Guides UUES, UEES7)

(1) For the most current certification information, use "855B" as the search criteria from rok.auto/certifications.

Approximate Dimensions

Dimensions are in millimeters (inches). Dimensions are not intended to be used for manufacturing purposes.



Industrial Round Beacons

These devices are available in three diameters: 90 mm (Bulletin 855BS), 120 mm (Bulletin 855BM), and 160 mm (Bulletin 855BL). All sizes are available in steady halogen, flashing halogen, strobe, and rotating halogen versions for flexibility in your applications. You can select from a wide range of mounting options, voltages, and colors.



90 mm Industrial Round Beacons

855BS - S 10 RH 3
a b c d

a	
Base Type	
Code	Description
S	Surface mount ⁽¹⁾
N	1/2 in. NPT conduit mount
T	25 mm tube mount ⁽²⁾

b	
Voltage	
Code	Description
12	12V AC/DC
24	24V AC/DC
10	120V AC
20	240V AC
35	24/48V AC/DC
45	120/240V AC/DC

c	
Function	
Code	Description
DH	Steady halogen
FH	Flashing halogen
RH	Rotating halogen
BR	Xenon tube strobe ⁽³⁾
SL	Single-color LED selectable steady/flash ⁽⁴⁾
ML	Three-color LED ^{(5) (6)}
BL	LED strobe selectable single/double flash ⁽⁷⁾

d	
Lens Color	
Code	Description
345	Green, red, amber ⁽⁶⁾
3	Green
4	Red
5	Amber
6	Blue
7	Clear
8	Yellow

- (1) Base Type S, surface mount base, must be installed with rough wall plate for UL Type 4/4X/13 rating, otherwise UL Type 1 only.
- (2) Base Type T, 25 mm tube mount, is UL Recognized. Other mounting types are UL Listed.
- (3) Function Code BR, xenon tube strobe, is not available in Voltage Code 12, 12V AC/DC.
- (4) Function Code SL can only be used with Voltage Code 35 (16...60V AC/16...80V DC) and Voltage Code 45 (90...250V AC/DC).
- (5) Function Code ML can only be used with Voltage Code 24, 10, and 20.
- (6) Lens Color Code 345 is only valid with Function ML, three-color LED.
- (7) Function Code BL can only be used with Voltage Code 35 (19...52V AC/16...60V DC), 10, and 20.

120 mm Industrial Round Beacons

855BM - S 10 FH 4
a b c d

a	
Base Type	
Code	Description
S	Surface mount ⁽¹⁾
N	1/2 in. NPT conduit mount
T	25 mm tube mount

b	
Voltage	
Code	Description
12	12V AC/DC
24	24V AC/DC
10	120V AC
20	240V AC

c	
Function	
Code	Description
DH	Steady halogen
FH	Flashing halogen
RH	Rotating halogen
BR	Xenon tube strobe ⁽²⁾

d	
Lens Color	
Code	Description
3	Green
4	Red
5	Amber
6	Blue
7	Clear
8	Yellow

- (1) When used outdoors, Base Type S (surface mount base) must be installed with rough wall plate for UL Type 4/4X/13 rating, otherwise UL Type 1 only.
- (2) Function Code BR is not available in Voltage Code 12, 12V AC/DC.






Table 18 - Replacement Parts

Description				90 mm	120 mm	160 mm	
				Cat. No.			
Replacement Lamps		Xenon strobe tube		—	855BM-LS ⁽¹⁾	855BL-LS ⁽¹⁾	
		Halogen For steady burning, flashing, and rotating illumination functions	Voltage	12V AC/DC	855BS-LH12	855BM-LH12	855BL-LH12
				24V AC/DC	855BS-LH24	855BM-LH24	855BL-LH24
				120V AC	855BS-LH10	855BM-LH10	855BL-LH10
				240V AC	855BS-LH20	855BM-LH20	855BL-LH20
Replacement Lenses		Smooth lens For rotating beacon only	Lens color	Green	855BS-ASL3	855BM-ASL3	855BL-ASL3
				Red	855BS-ASL4	855BM-ASL4	855BL-ASL4
				Amber	855BS-ASL5	855BM-ASL5	855BL-ASL5
				Blue	855BS-ASL6	855BM-ASL6	855BL-ASL6
				Clear	855BS-ASL7	855BM-ASL7	855BL-ASL7
				Yellow	855BS-ASL8	855BM-ASL8	855BL-ASL8
		Fresnel lens For steady and flashing halogen and xenon strobe functions Not for use in LED beacons	Lens color	Green	855BS-AFL3	855BM-AFL3	855BL-AFL3
				Red	855BS-AFL4	855BM-AFL4	855BL-AFL4
				Amber	855BS-AFL5	855BM-AFL5	855BL-AFL5
				Blue	855BS-AFL6	855BM-AFL6	855BL-AFL6
				Clear	855BS-AFL7	855BM-AFL7	855BL-AFL7
		LED lens For 90 mm beacons only	Lens color	Green	855BS-ALL3	—	—
				Red	855BS-ALL4	—	—
				Amber	855BS-ALL5	—	—
				Blue	855BS-ALL6	—	—
Clear				855BS-ALL7	—	—	
Yellow				855BS-ALL8	—	—	
Replacement Power Modules ⁽²⁾		Rotating power module	Voltage	12V AC/DC	855BS-ARA12	855BM-ARA12	855BL-ARA12
				24V AC/DC	855BS-ARA24	855BM-ARA24	855BL-ARA24
				120V AC	855BS-ARA10	855BM-ARA10	855BL-ARA10
				240V AC	855BS-ARA20	855BM-ARA20	855BL-ARA20
		Steady power module	Voltage	12V AC/DC	855BS-ADA12	855BM-ADA12	855BL-ADA12
				24V AC/DC	855BS-ADA24	855BM-ADA24	855BL-ADA24
				120V AC	855BS-ADA10	855BM-ADA10	855BL-ADA10
				240V AC	855BS-ADA20	855BM-ADA20	855BL-ADA20
		Flashing power module	Voltage	12V AC/DC	855BS-AFA12	855BM-AFA12	855BL-AFA12
				24V AC/DC	855BS-AFA24	855BM-AFA24	855BL-AFA24
				120V AC	855BS-AFA10	855BM-AFA10	855BL-AFA10
				240V AC	855BS-AFA20	855BM-AFA20	855BL-AFA20
		Strobe power module	Voltage	24V AC/DC	855BS-ABA24	855BM-ABA24	855BL-ABA24
120V AC				855BS-ABA10	855BM-ABA10	855BL-ABA10	
			240V AC	855BS-ABA20	855BM-ABA20	855BL-ABA20	

(1) Only for use in 120V and 240V units.
For 24V units, order complete power module replacement (Cat. No. 855BM-ABA24 or Cat. No. 855BL-ABA24).

(2) All power modules include a lamp.

Table 19 - Replacement Parts Bases

Description		90 mm	120 mm	160 mm	
		Cat. No.			
	Replacement base	Surface mount base ⁽¹⁾	855BS-ABS	855BM-ABS	855BL-ABS
		1/2 in. NPT conduit mount base	855BS-ABN	855BM-ABN	855BL-ABN
		Tube mount base	855BS-ABT	855BM-ABT	855BL-ABT
	Replacement gaskets	Lens gasket Must order in multiples of 5	855BS-ALSG	855BM-ALSG	855BL-ALSG
		Surface mount gaskets Must order in multiples of 5	855BS-ASFG	855BM-ASFG	855BL-ASFG
		Tube mount gasket Must order in multiples of 5	855BM-AMTG	855BM-AMTG	855BL-AMTG
	Magnetic mount adapter plate		855BS-AMM	855BM-AMM	855BL-AMM
	Rough wall plate ⁽²⁾		855BS-AWP	855BM-AWP	855BL-AWP
	Vertical bracket		855BS-AVM	855BM-AVM	855BL-AVM
Screws and washers for rough wall plate and magnetic mount			855BS-ASCW	855BM-ASCW	
Bonding kit (required for bonding between conduit connections)			855BM-ABK		

(1) When used outdoors, surface mount base must be installed with rough wall plate for UL Type 4/4X/13 rating.

(2) Required for UL Type 4/4X/13 rating when using surface mount base outdoors.

Specifications

Table 20 - Technical

Attribute		Value
Housing	Base material	Polycarbonate
	Lenses (all)	Polycarbonate, red, amber, yellow, green, blue, and clear
	Pole mount base	90 mm: polycarbonate 120 mm and 160 mm: aluminum die-cast, powder-coated
	Bracket	Powder-coated steel
Protection class		Type 4/4X/13 (surface mount base must be installed with rough wall plate for Type 4/4X/13 rating), IP65
Terminals (120 mm and 160 mm only)		Up to 2.5 mm ² (14 AWG)
Temperature ranges	Operating	-25...+60 °C (-13...+140 °F); -25...+50 °C (-13...+122 °F), 120 mm and 160 mm steady halogen, and 120/240V AC single-color LED
	Storage	-25...85 °C (-13...185 °F)
Mounting	Horizontal surfaces	Indoor: direct to the surface Outdoor: with additional metal plate between surface and base part
	Vertical surfaces	With bracket, for indoor and outdoor
	Tube or NPT conduit	For indoor and outdoor

Table 21 - Electrical and Mechanical

Attribute		Steady Halogen			Flashing Halogen			Strobe			Rotating Light		
		160 mm	120 mm	90 mm	160 mm	120 mm	90 mm	160 mm	120 mm	90 mm	160 mm	120 mm	90 mm
Halogen bulb	[W]	50	35	20	50	35	20	–	–	–	50	35	20
Bulb socket		GY6.35	GY6.35	GY6.35	GY6.35	GY6.35	GY6.35	–	–	–	GY6.35	GY6.35	GY6.35
Strobe energy	[J]	–	–	–	–	–	–	31	15	7	–	–	–
Xenon strobe tube		–	–	–	–	–	–	Helical	Helical	Helical	–	–	–
Strobe tube socket		–	–	–	–	–	–	Terminals	Terminals	Terminals	–	–	–
Flashing/strobe frequency	[Hz]	–	–	–	1	1	1	1	1	1	–	–	–
Rotating speed (selectable via jumper wire)	[rpm]	–	–	–	–	–	–	–	–	–	90/180	90/180	90/180
Nominal current [A]	12V AC/DC	4	2.9	1.6	4.2	3	1.6	–	–	–	4.2	3.2	1.8
	24V AC/DC	2.1	1.5	0.8	2.1	1.5	0.8	1.9	1.3	0.48	2.3	1.7	0.95
	110/120V AC, 50/60 Hz	0.42	0.29	0.2	0.42	0.3	0.2	0.7	0.32	0.21	0.58	0.32	0.30
	230/240V AC, 50 Hz	0.21	0.15	0.09	0.21	0.15	0.09	0.35	0.15	0.12	0.39	0.17	0.27
Weight [g]	Surface-mount	900	500	251	900	500	251	900	500	296	900	500	378
	Tube-mount	900	500	424	900	500	424	900	500	469	900	500	551
Attribute		90 mm											
		Single-color LED			Three-color LED			Strobe LED					
Nominal current [mA]	24V AC/DC	–			155			–					
	110/120V AC, 50/60 Hz	–			100			70					
	230/240V AC, 50 Hz	–			105			70					
	24/48V AC/DC, 50/60 Hz	230...270 (16...60V AC/16...80V DC)			–			300 (19...52V AC/16...60V DC)					
	120/240V AC	38...43 mA (90...250V AC)			–			–					
Weight [g]	Surface-mount	250											
	Tube-mount	450											

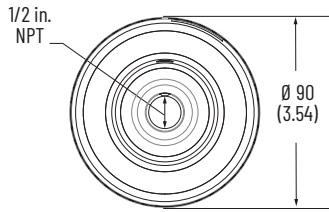
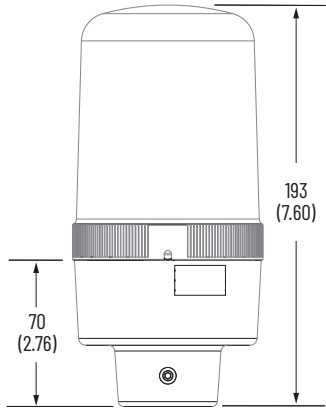
Table 22 - Standards Compliance and Certifications

Standards Compliance	Certifications
<ul style="list-style-type: none"> • UL 508 • EN/IEC 60947-1 • EN/IEC 60947-5-1 • CSA C22.2 No. 14 	<ul style="list-style-type: none"> • cULus Listed (File No. E14840, Guides NKCR, NKCR7) • CE Marked

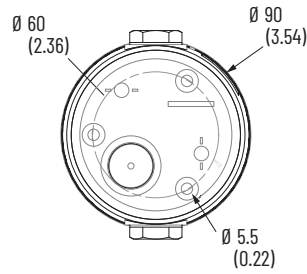
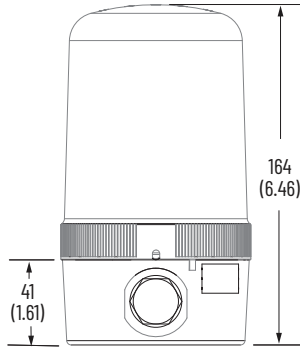
Approximate Dimensions

Dimensions are in millimeters (inches). Dimensions are not intended to be used for manufacturing purposes.

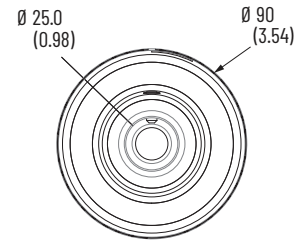
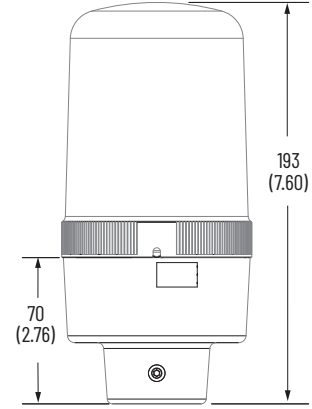
90mm Beacon



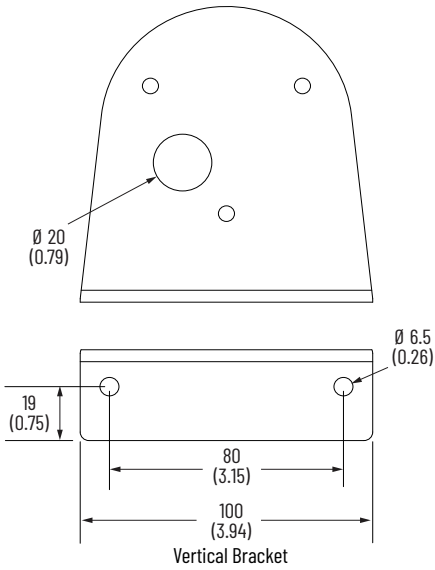
NPD Conduit Mount



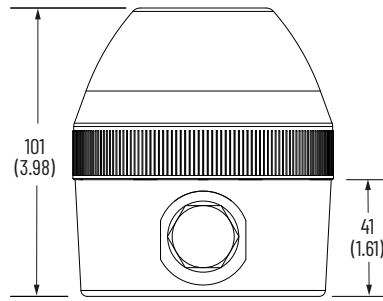
Surface Mount



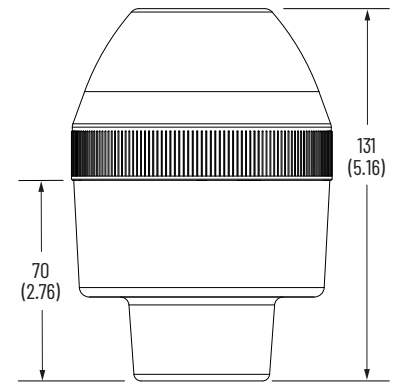
Tube Mount



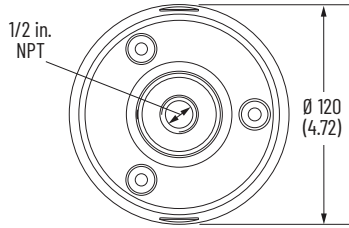
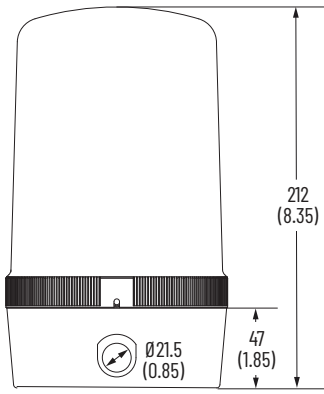
Vertical Bracket



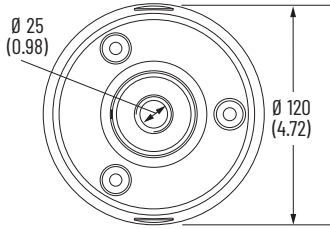
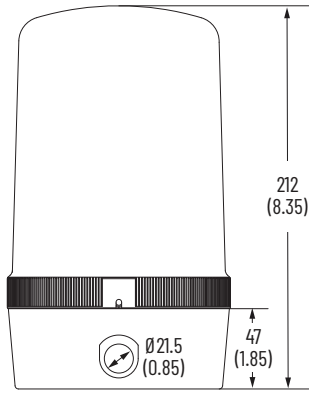
LED Beacon



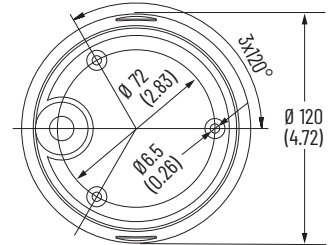
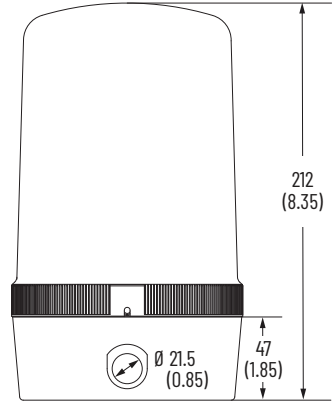
120 mm Beacon



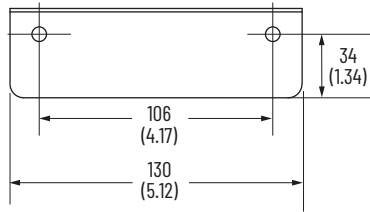
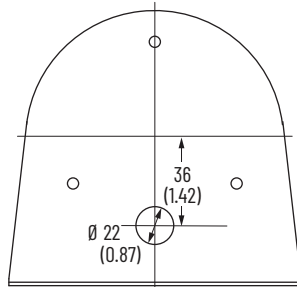
NPD Conduit Mount



Surface Mount

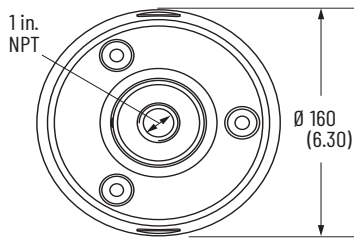
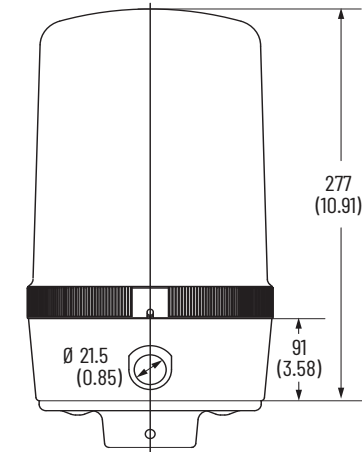


Tube Mount

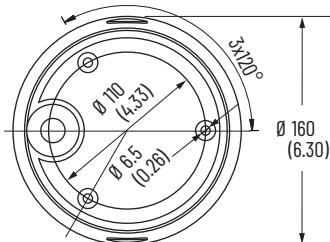
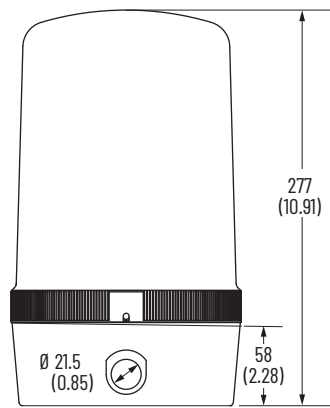


Vertical Bracket

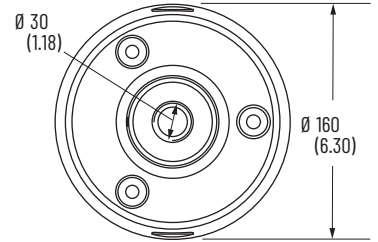
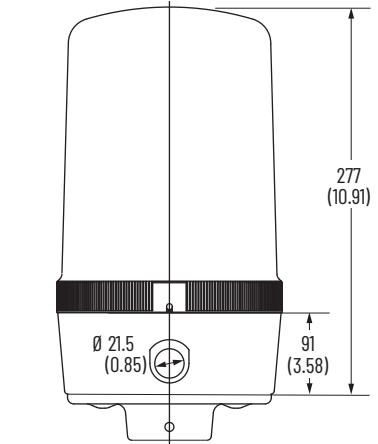
160 mm Beacon



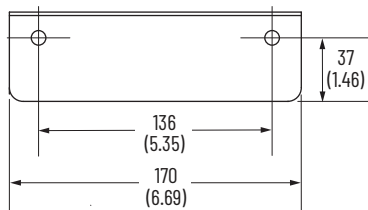
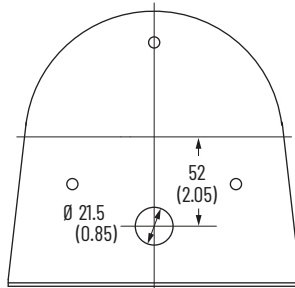
NPD Conduit Mount



Surface Mount



Tube Mount



Vertical Bracket

Notes:

Bulletin 855R Industrial Round Beacons

This product line is available as separate components or as complete factory pre-configured beacons to provide flexibility in your applications.

Bulletin 855R industrial round beacons are available in a wide range of mounting options, voltages, and colors. These devices are available in 110 mm diameter.



110 mm Diameter Complete Beacons



Steady, Multi-function,
High-brightness with Low-profile Base



Steady, Multi-function,
High-brightness with NPT Base



Compact
with Low-profile Base



Compact
with NPT Base

855R - **B** **S** **45** **TL** **4**
a b c d e

a	
Housing Color	
Code	Description
B	Black

b	
Base Type	
Code	Description
S	Surface mount, low profile
N	1/2 in. NPT conduit or Surface mount

c	
Voltage	
Code	Description
24	24V AC/DC
45	120/240V AC/DC ⁽¹⁾
10	120V AC ⁽²⁾
20	240V AC ⁽²⁾

d	
Function	
Code	Description
TL	Steady LED
MF	Multi-function LED
HMF	High-brightness, multi-function LED
ML	Multi-color LED ⁽³⁾
CMF	Compact multi-function ⁽⁴⁾
CML	Compact multi-color ⁽³⁾⁽⁴⁾

e	
Lens Color	
Code	Description
3	Green
4	Red
5	Amber
6	Blue
7	Clear
8	Yellow
Blank	Blank

- (1) Voltage Code 45 is for use with Function Code TL only.
- (2) Voltage Code 10 and Voltage Code 20 is not for use with Function Code TL.
- (3) For Voltage Code ML and Voltage Code CML, the Lens Color Code must be Blank.
- (4) Uses opaque white lens.

110 mm Diameter LED Modules



Steady, Multi-function,
High-brightness



Multi-color



Compact, Multi-function,
Compact Multi-color

855R - $\frac{24}{a}$ $\frac{TL}{b}$ $\frac{3}{c}$

a	
Voltage	
Code	Description
24	24V AC/DC
45	120/240V AC/DC ⁽¹⁾
10	120V AC ⁽²⁾
20	240V AC ⁽²⁾

b	
Function	
Code	Description
TL	Steady LED
MF	Multi-function LED
HMF	High-brightness, multi-function LED
ML	Multi-color LED ⁽³⁾
CMF	Compact multi-function ⁽³⁾⁽⁴⁾
CML	Compact multi-color ⁽⁴⁾

c	
Lens Color	
Code	Description
3	Green
4	Red
5	Amber
6	Blue
7	Clear
8	Yellow
-	Blank

- (1) Voltage Code 45 is for use with Function Code TL only.
- (2) Voltage Code 10 and Voltage Code 20 are not valid for Function Code TL.
- (3) For Voltage Code ML and Voltage Code CML, the Lens Color Code must be Blank.
- (4) Uses opaque white lens.

1Bases



Low-profile
Surface-Mount



Surface/NPT/
Surface/Tube-mount



Audible








855R - $\frac{B}{a}$ $\frac{SL}{b}$

a	
Housing Color	
Code	Description
B	Black

b	
Base Type ⁽¹⁾	
Code	Description
SL	Surface-mount, low-profile
SN	1/2 in. NPT or surface-mount
ST	25 mm tube or surface-mount ⁽²⁾
SA24	Surface-mount, audible, 24V AC/DC
SA10	Surface-mount, low-profile, 120V AC
SA20	Surface-mount, low-profile, 240V AC

- (1) All bases are UL Type 4, 4x, 13 IP66/67 except Base Type ST.
- (2) For Base Type ST: Standards compliance and certifications are dependent on installation.
 For surface-mount: UL Type 4, 4x, 13 IP 66/67
 For mounting on a 25 mm tube: UL Type 12, IP54
 For sideways or upside down mount: UL Type 1, IP 52

Accessories

Description		Cat. No.	Description		Cat. No.	
Vertical-mount brackets ⁽¹⁾		Metal bracket for surface-mount bases For 855R-BSL, 855R-BSN, and 855R-BST	855R-ABVM	Gaskets	 Surface mount base replacement flat gasket	855R-ASFG
		Metal bracket for audible bases For use with 855R-BSA24, 855R-BSA10, and 855R-BSA20	855R-ABVA		 Vertical plastic bracket replacement wall gasket kit (also includes 3 seal washers)	855R-AVG
		Plastic bracket for low-profile surface-mount bases For use with 855R-BSL	855R-ABVP	Cable glands	 M16 cable gland for use with low-profile surface mount base For use with 855R-BSL	855R-ABM16
				 M20 cable gland For use with 855R-BSN, 855R-BST	855R-ABM20	

(1) See [Vertical-mount Brackets on page 27](#) for approximate dimensions.

Specifications

Table 23 - Technical

Attribute		Value
Housing	Base material	Polycarbonate
	Lenses (all)	Polycarbonate, red, amber, yellow, green, blue, and clear
	Brackets	855R-ABVM/855R-ABVA: powder-coated steel 855R-ABVP: polycarbonate
Ingress protection (IP) class	Surface/NPT/audible bases	UL Type 4/4X/13 IP66/67
	Tube mount	UL Type 12 IP54 unless surface mounted
Impact Resistance		IK08
Terminals		Up to 2.5 mm ² (14 AWG)
Temperature ranges	Operating	-30...+60 °C (-22...+140 °F)
	Storage	-30...+80 °C (-22...+176 °F)
Mounting	Horizontal surfaces	For indoor and outdoor
	Vertical surfaces	With bracket, for indoor and outdoor
	Tube or NPT conduit	For indoor and outdoor

Table 24 - Electrical and Mechanical

Attribute	Single-color	Multi-function	High-brightness	Multi-color	Compact Multi-function	Compact Multi-color	
Nominal current [mA]	24V AC/DC	249	532 (red 415)	827 (red 663)	339	172	149
	110/120V AC, 50/60 Hz	—	135 (red 112)	214 (red 166)	100	48	44
	230/240V AC, 50/60 Hz	—	90 (red 63)	137 (red 105)	67	39	35
	120/240V AC, 50/60 Hz	107/73 (120/79 red)	—	—	—	—	—
Weight [g]	Surface mount	261			210		
	1/2 in. NPT mount	267			230		

Table 25 - Standards Compliance and Certifications ⁽¹⁾

Standards Compliance	Certifications
<ul style="list-style-type: none"> AENSI/UL 60947-1 and ANSI/UL 60947-5-1 EN/IEC 60947-1 EN/IEC 60947-5-1 CAN/CSA C22.2 No. 60947-1-13 and CAN/CSA C22.2 No. 60947-5-1-14 	<ul style="list-style-type: none"> c-UL-us Listed (File No. E14840, Guides NKCR, NKCR7) CE, UKCA, RCM, KC, Morocco

(1) For the most current certification information, use "855R" as the search criteria from rok.auto/certifications.

Tone Selection

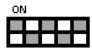
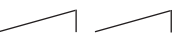

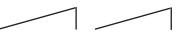

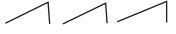

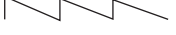


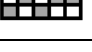


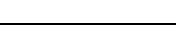
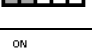
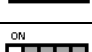
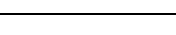
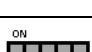
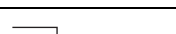
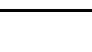

Position each pin on the DIP switch to your desired group of tone settings.



Tone Selection

Pin Position on DIP Switch	Stage 1 Tone No.	Tone Type	Frequency (Hz)	Tone Visual	Repeat Rate	Typical Application	Stage Alarm Tone	
							2	3
	01	Continuous	660		—	Swedish alarm	16	12
	02	Continuous	1000		—	PFEER toxic gas	16	25
	03	Continuous	2400		—	—	21	17
	04	Intermittent	420		0.625 s on / 0.625 s off	Australian alert AS1670	21	01
	05	Intermittent	660		1.8 s on / 1.8 s off	Swedish alarm	21	01
	06	Intermittent	660		0.15 s on / 0.15 s off	Swedish alarm	16	01
	07	Intermittent	970		1 s on, 1 s off	PFEER Alarm, BS5839-1:2002	18	01
	08	Intermittent	970 (950)		0.5 s on / 0.5 s off x3 then 1 s off	ISO 8201 low tone, US Temporal	16	03
	09	Intermittent	800		0.25 s on / 1 s off	—	27	03
	10	Intermittent	700		0.15 s on / 0.15 s off, total 1 minimum	Swedish alarm SS 03 1711	18	02
	11	Intermittent	720		0.7 s on / 0.3 s off	Industrial alarm Germany	02	29
	12	Intermittent	2400		0.5 s on / 0.5 s off	—	03	01
	13	Intermittent	2850		0.5 s on / 0.5 s off x3 then 1 s off	ISO 8201 high tone, US Temporal	03	17
	14	Alternating	440 - 544		0.4 s (440 Hz) / 0.1 s (554 Hz)	AFNOR France, NFS 32-001	16	01
	15	Alternating	544 - 440		1 Hz	Swedish alarm	01	16
	16	Alternating	800 - 1000		2 Hz	—	02	09
	17	Alternating	2400 - 2900		2 Hz	—	03	01
	18	Alternating	1000 - 2000		1 Hz	Singapore	02	03
	19	Sweeping	500 - 1500		10 Hz	—	02	01
	20	Sweeping	150 - 1000		Rising 10 s, 40 s on, falling 10 s	Industrial alarm Germany	25	29
	21	Continuous	400		Simulated horn	—	16	02

Tone Selection (Continued)

Pin Position on DIP Switch	Stage 1 Tone No.	Tone Type	Frequency (Hz)	Tone Visual	Repeat Rate	Typical Application	Stage Alarm Tone	
							2	3
	22	Sweeping	500 - 1200		Rising in 3.75 s / 0.25 s off	Australian evacuation AS 2220	02	09
	23	Sweeping	500 - 1200		Rising in 3.5 s / 0.5 s off	Netherlands NEN 2575:2000	02	09
	24	Sweeping	500 - 1200		0.5 s on / 0.5 s off x3 / 1.5 s off	Australia AS1670 evacuation	02	09
	25	Sweeping	1200 - 500		1 Hz	Evacuation Germany, DIN 33404-3	02	32
	26	Sweeping	500 - 1200		0.3Hz	-	01	32
	27	Sweeping	1400 - 1600		Rising in 1 s / falling in 0.5 s	NFC 48-265	02	09
	28	Sweeping	2400 - 2900		1 Hz	-	17	03
	29	Bell	-	-	-	-	16	02
	30	Slow rise	500 - 2400		Siren rising in 3 s, then constant 2400 Hz	-	16	01
	31	Slow rise	300 - 1200		Siren rising in 3 s, then constant 1200 Hz	-	16	01
	32	3-tone	660-550-440		Repeating 3 tone gong, 7 s	-	29	01

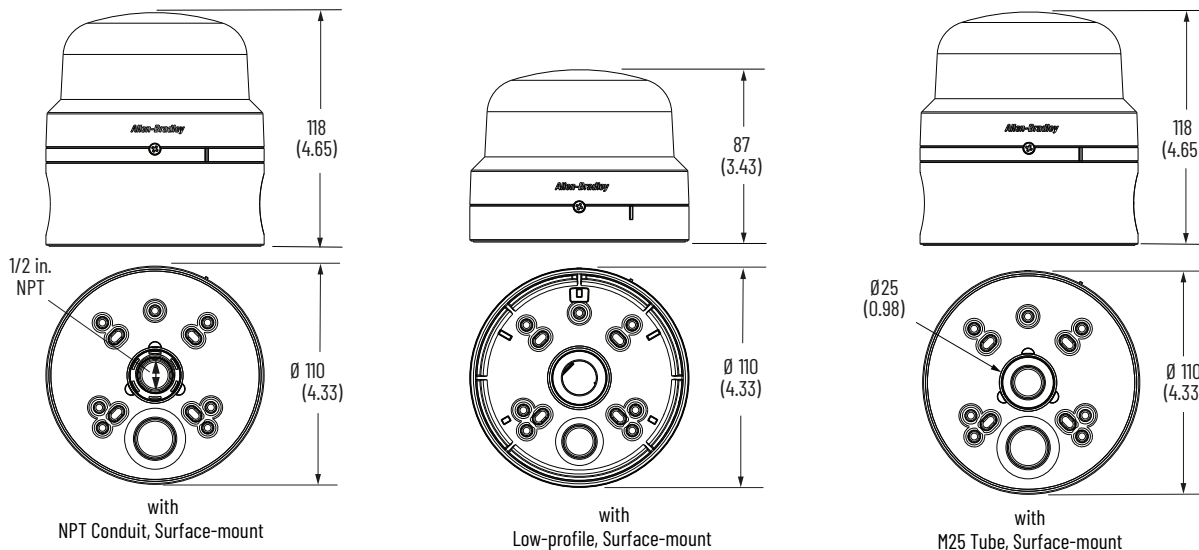
Approximate Dimensions

Dimensions are in millimeters (inches). Dimensions are not intended to be used for manufacturing purposes.



For a compact lens with M25 tube, surface-mount:
The drawing shown does not represent an actual catalog number and parts need to be purchased separately.

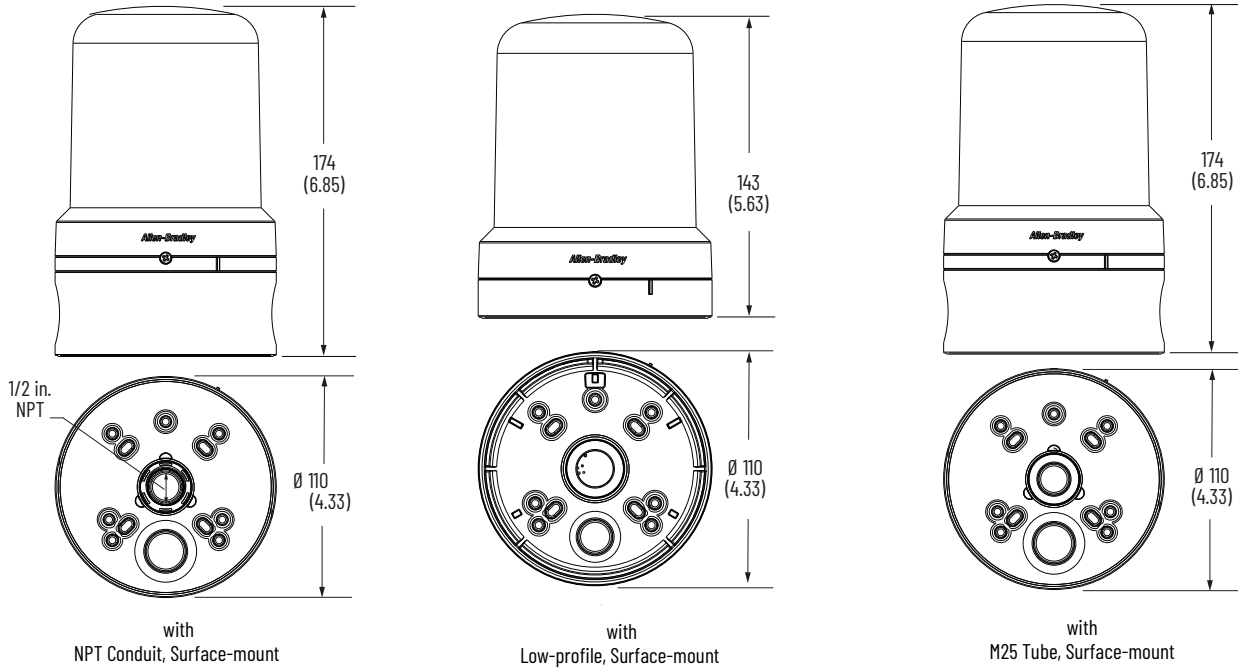
Compact Lens



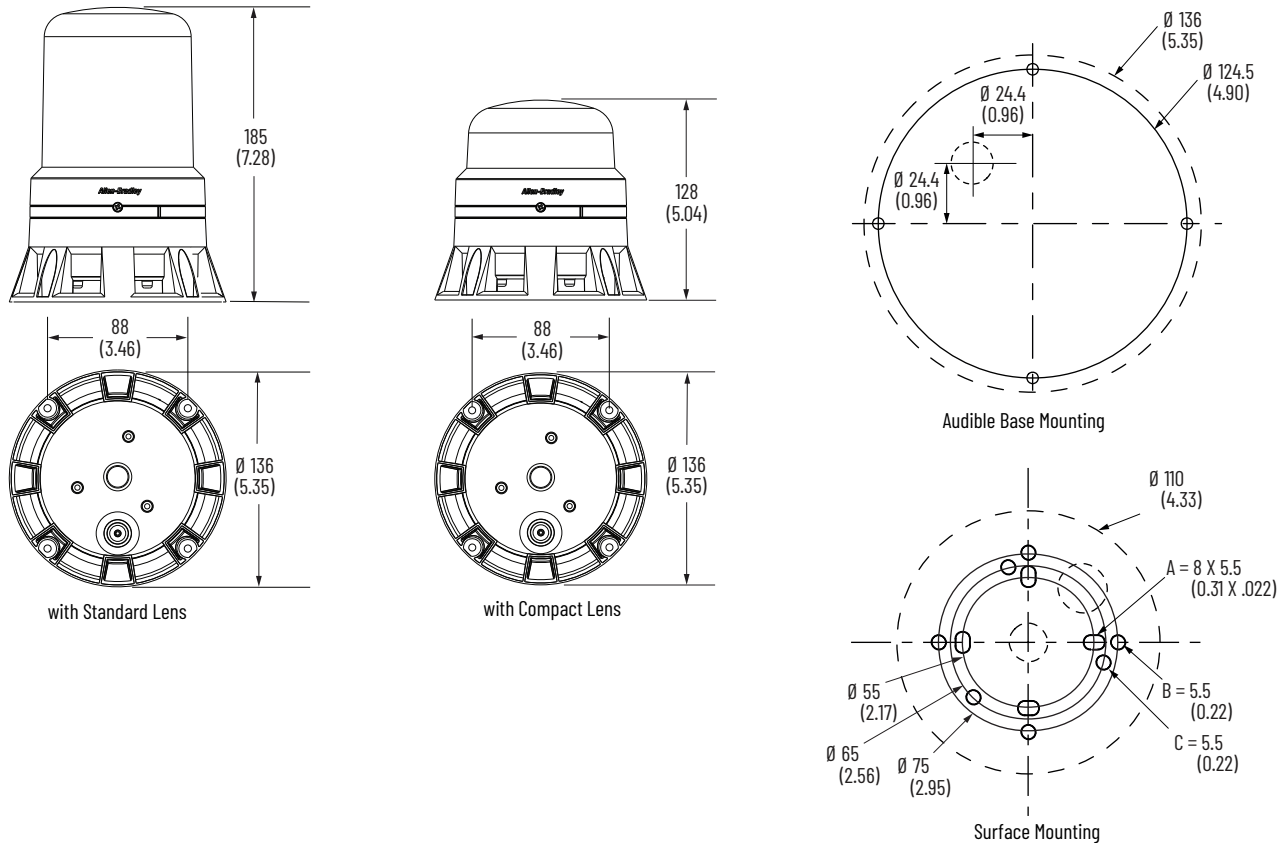


For a standard lens with M25 tube, surface-mount:
The drawing shown does not represent an actual catalog number and parts need to be purchased separately.

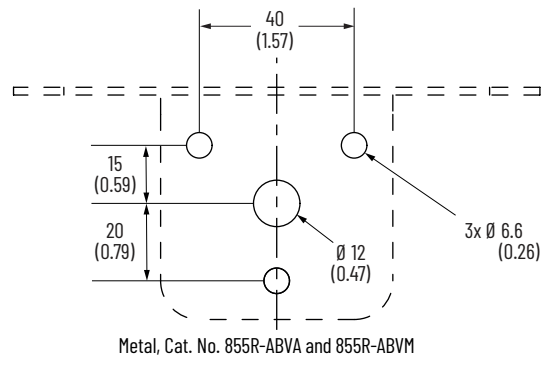
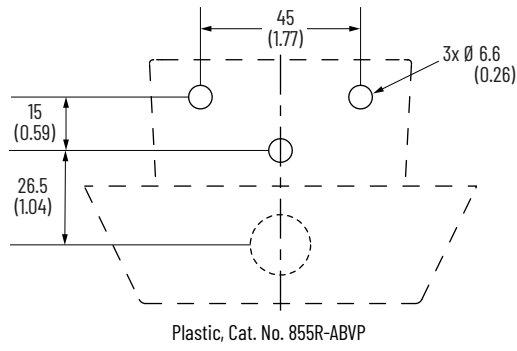
Standard Lens



Audible Bases



Vertical-mount Brackets



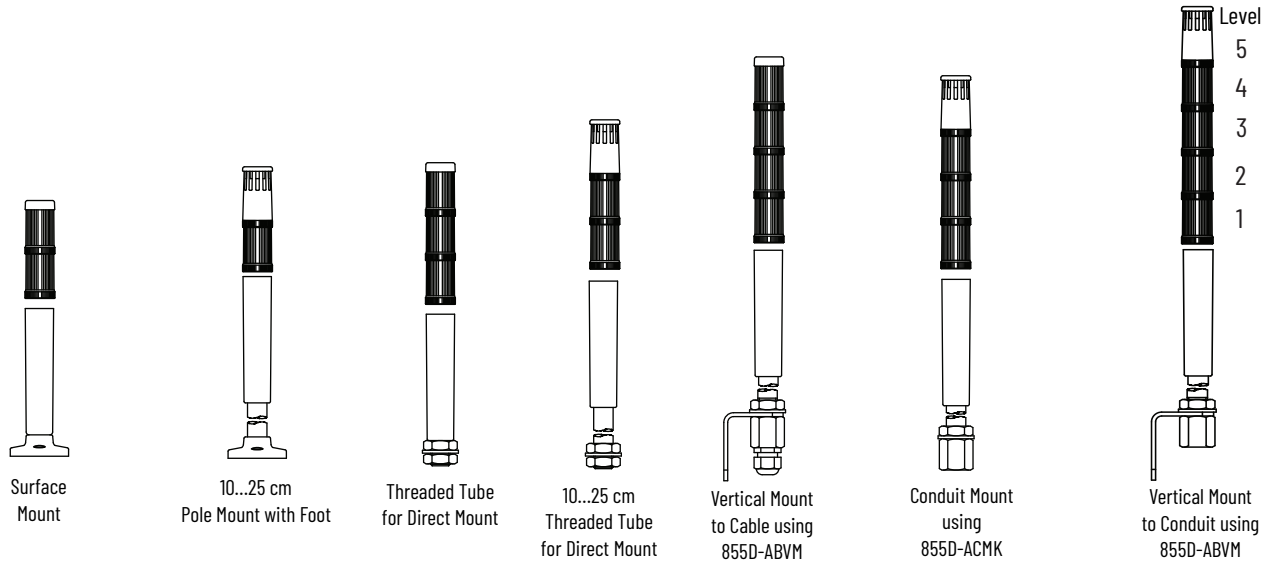
Notes:

Bulletin 855D/855F Compact Control Tower Stack Lights

This product line includes 30 mm (855D) and 70 mm (855F) Control Tower stack lights.

30 mm Compact Control Tower Stack Lights

The 30 mm compact Control Tower stack lights, pre-assembled and pre-wired 1...5 modules, are available with UL Type 4/4X/13, IP65 ratings to meet the most challenging panel and on-machine applications.



855D - **P00** **SC20** **B** **24** **Y** **3** **Y** **4** **Y** **5** **L** **7** **P** **1**
 a b c d e f g f g f g f g f g f g
 (Level 1, f+g) (Level 2, f+g) (Level 3, f+g) (Level 4, f+g) (Level 5, f+g)

a	
Base Type	
Code	Description
P00	Surface-mount
P10	10 cm aluminum pole-mount with foot
P25	25 cm aluminum pole-mount with foot
T00	0 cm M20 metric threaded tube for direct-mount
T10	10 cm M20 metric threaded tube for direct-mount
T25	25 cm M20 metric threaded tube for direct-mount
Q10	10 cm quick-release mount pole
Q25	25 cm quick-release mount pole

b	
Network Option	
Code	Description
Blank	No network option

c	
Cable Connector and Length	
Code	Description
SC20	Stranded cable, 2 m (6.6 ft), yellow jacket ⁽¹⁾
Blank	No cable (only for Q10 or Q25 base types)

d	
Housing Color	
Code	Description
B	Black
G	Gray

e	
Voltage	
Code	Description
24	24V AC/DC
10	120V AC
20	240V AC

f	
Module Type ⁽²⁾ ⁽³⁾	
Code	Description
Y	Steady LED
L	Flashing LED
C	Piezo sound alarm, continuous tone
P	Piezo sound alarm, pulsing tone
Q	Dual-circuit piezo sound alarm ⁽⁴⁾

g	
Lens Color/Sound	
Code	Description
1	Sound module
3	Green
4	Red
5	Amber
6	Blue
7	Clear
8	Yellow

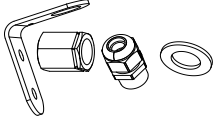




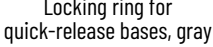



(1) Cable Connector Code SC20, stranded cable, must be ordered for all base types except Base Type Code Q10 and Base Type Code Q25.

(2) Module Type Code C, P, and Q must be on the top-most level, configured with Lens Color/Sound Code 1. Only one sound module is allowed per assembly.

(3) Module Type Code Y and L can only be configured with Lens Color/Sound Code 3, 4, 5, 6, 7, and 8.

(4) If Module Type Code Q is selected, the maximum number of light modules that are allowed is three (two circuits are required for the dual-circuit sound module).

Accessories

Description	Cat. No.	Description	Cat. No.
 <p>Vertical mount kit Kit includes: L-bracket, plastic washer M20 to 1/2 in. NPT thread adapter, and black cable gland (1/2 in. NPT)</p>	855D-ABVM	 <p>Field-installable 4-pin DC micro style terminal chamber Additional terminal chamber styles are available here.</p>	871A-TS4-DM
 <p>Mounting screw washer kit Kit includes: 20 pieces Replacement flat washers are used to provide a seal where the mounting screw meets the pole base</p>	855T-AMSG	 <p>Locking ring for quick-release bases, black</p>	855D-ABQLR
 <p>Internal gasket for quick-release base, one bag = five gaskets per bag</p>	855D-AQG	 <p>Locking ring for quick-release bases, gray</p>	855D-AGQLR
 <p>Conduit mount kit Kit includes: M20 to 1/2 in. NPT thread adapter</p>	855D-ACMK	 <p>Quick-release mounting base with gasket</p>	855D-AQMB
		 <p>Direct mount kit Kit includes: M20 nut, plastic washer, metal lock washer</p>	855D-ARDM
		Base foot gasket, bag of five	855D-APFG

Specifications

IMPORTANT Based on the weight and style of mounting, tower lights are subject to damage from shock and vibration. [Table 26](#) provides reference guidelines are reference guidelines for maximum acceptable conditions.

Table 26 - Mechanical

Standard Bases		Shock	Vibration
Surface-mount base or 10cm or 25 cm aluminum pole base	1 module stack	150 G	2.5 G
	3 module stack	45 G	2.5 G
	5 module stack	35 G	2.0 G

Table 27 - Environment

Attribute	Value
Ingress ratings	Light modules
	Sound modules
	Surface, pole, vertical, tube mount bases
	IP65/UL Type 4/4X/13
Temperature ranges	Operating
	Storage
	-25...+50 °C (-13...+122 °F)
	-25...+85 °C (-13...+185 °F)

Table 28 - Materials

Part	Material
Bases, caps, lens covers, sound module housings	Polycarbonate
Rubber seals and gaskets	Nitrile rubber
Pole (for aluminum pole assembly)	Aluminum
Pole base footing (for aluminum pole base)	Polycarbonate
Insulation sleeve (for pole insulation)	PVC
Mounting screw washers	Polyamide

Table 29 - Estimated Light Output⁽¹⁾

Attribute	Estimated Light Output [mcd]
Steady, flashing, red	1000
Steady, flashing, amber	800
Steady, flashing, green	1500
Steady, flashing, yellow	700
Steady, flashing, blue	250
Steady, flashing, white	1000

(1) Light output values are calculated from the LED Data Sheet and show typical values of luminous density. These values are not exact because the knurling in the lens affects the light distribution and because the viewing angle of the LED that directly relates to the Cd output value, is not identical for all LEDs.

Table 30 - Operating Voltage

Device	Operating Voltage		
	24V AC/DC	120V AC	240V AC
Light modules and sound modules	24V AC/DC ($\pm 10\%$)	110V AC, 50 Hz ($\pm 10\%$) 120V AC, 60 Hz ($\pm 10\%$)	230V AC, 50 ($\pm 10\%$) 240V AC, 60 ($\pm 10\%$)

Table 31 - Lamp Life Ratings (Design Life) Average Life Under Static, No Vibration, Conditions

Device	Lamp Life Rating		
	24V AC/DC	120V AC	240V AC
LED modules	100,000 hr		
Sound modules	20,000 hr		

Table 32 - Current Consumption

Device		Current Consumption [mA]		
		24V AC/DC	120V AC	240V AC
Light modules	Steady or flashing LED	20	22	21
Piezo-style sound modules	Single- and dual-circuit	40	22	21

Table 33 - Flashing Frequency (Light Only Modules)

Device	Flashing Frequency
Flashing LED modules	Approximately 2 Hz

Table 34 - Decibel Rating (Sound Modules)

Device	Decibel Rating
Piezo sound module	85 dbA (+2 dB/-5 dB) All dbA ratings are determined at a distance of 1 m (3.3 ft) from the sound module.

Table 35 - Leakage Current Impact

All light and sound modules can absorb up to 3 mA of leakage current from solid-state outputs without module activation.

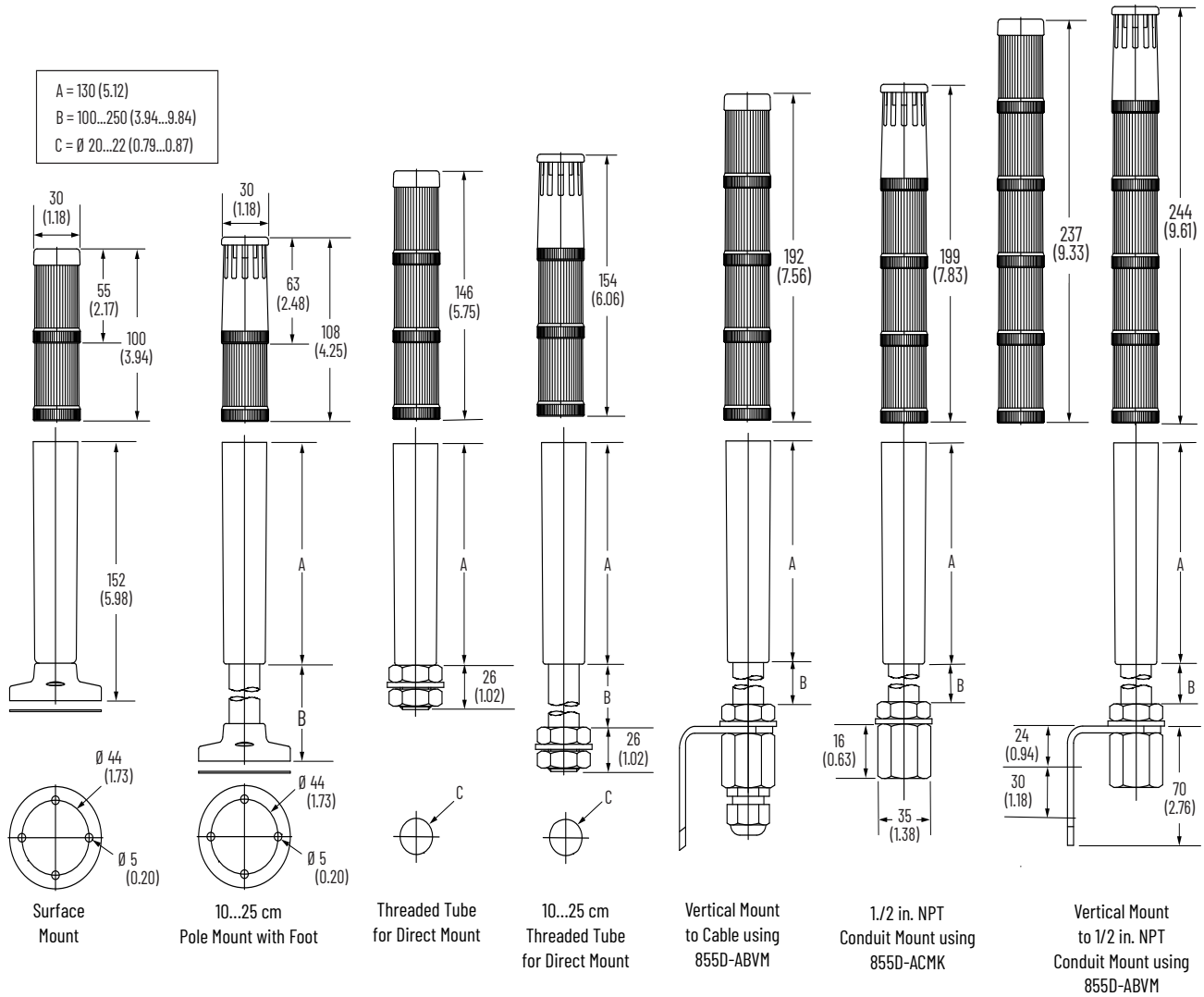
Table 36 - Standards and Certifications⁽¹⁾

Standards Compliance	Certifications
<ul style="list-style-type: none"> UL 508 CSA C22.2 No. 14 EN/IEC 60947-1 EN/IEC 60947-5-1 	<ul style="list-style-type: none"> cULus Listed (File No. E14840, Guides NKCR, NKCR7)

(1) For the most current certification information, use "855D" as the search criteria from rok.auto/certifications.

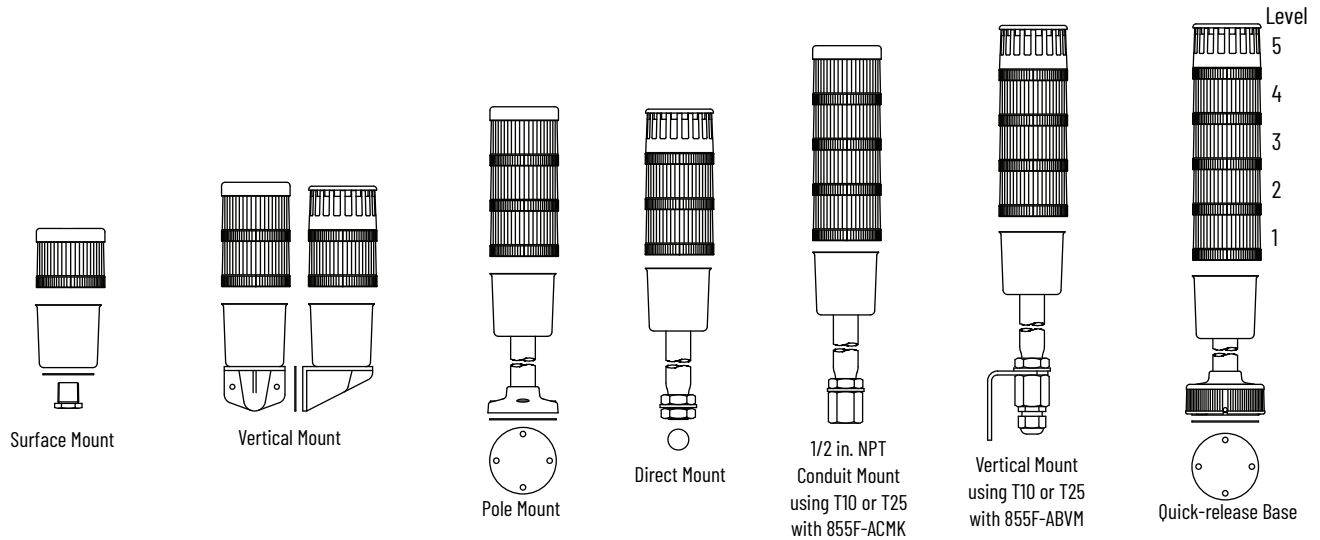
Approximate Dimensions

Dimensions are in millimeters (inches). Dimensions are not intended to be used for manufacturing purposes.



70 mm Compact Control Tower Stack Lights

The 70 mm compact Control Tower stack light devices, pre-assembled and pre-wired 1..5 modules, are available with UL Type 4/4X/13, IP65 ratings to meet the most challenging panel and on-machine applications.



855F - P10 SC20 B 24 Y 3 Y 4 Y 5 L 7 P 1
 a b c d e f e f e f e f e f e f
 (Level 1, e+f) (Level 2, e+f) (Level 3, e+f) (Level 4, e+f) (Level 5, e+f)

a	
Base Type	
Code	Description
SB	Surface mount with 1/2 in. NPT threaded connector and mounting nut
P10	10 cm aluminum pole mount with foot
P25	25 cm aluminum pole mount with foot
T10	10 cm threaded tube for direct mount
T25	25 cm threaded tube for direct mount
VM	Vertical mount
Q10	10 cm quick-release mount pole
Q25	25 cm quick-release mount pole

c	
Housing Color	
Code	Description
B	Black

d	
Voltage	
Code	Description
24	24V AC/DC
10	120V AC
20	240V AC

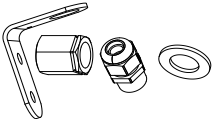





e	
Module Type ⁽²⁾ ⁽³⁾	
Code	Description
Y	Steady LED
L	Flashing LED
C	Piezo sound alarm, continuous tone
P	Piezo sound alarm, pulsing tone
Q	Dual-circuit piezo sound alarm ⁽⁴⁾

f	
Lens Color/Sound	
Code	Description
1	Sound module
3	Green
4	Red
5	Amber
6	Blue
7	Clear
8	Yellow

b	
Cable Connector	
Code	Description
SC20	Stranded cable, 2 m (6.6 ft), yellow jacket ⁽¹⁾
Blank	No cable (only for Q10 or Q25 base types)

(1) Cable Connector Code SC20 must be ordered for all base types except Base Type Code Q10 and Q25.
 (2) Module Type Code C, P, and Q must be on the top-most level and must be configured with Lens Color/Sound Code 1. Only one sound module is allowed per assembly.
 (3) Module Type Code Y and L can only be configured with Lens Color/Sound Code 3, 4, 5, 6, 7, or 8.
 (4) If Module Type Code Q is selected, the maximum number of light modules that are allowed is three (two circuits are required for the dual-circuit sound module).

Accessories

Description	Cat. No.	Description	Cat. No.
 <p>Vertical mount kit Kit includes: L-bracket, thread adapter (G1/2 in. to 1/2 in. NPT), black cable gland (1/2 in. NPT), and plastic washer</p>	855F-ABVM	 <p>Mounting screw washer kit, 20 washers Replacement flat washers are used to provide a seal where the mounting screw meets the pole base.</p>	855T-AMSG
 <p>Conduit mount kit G1/2 in. to 1/2 in. NPT thread adapter</p>	855F-ACMK	 <p>Direct mount kit Kit includes: G1/2 in. nut, plastic washer, and metal lock washer</p>	855F-ARDM
 <p>Field-installable 4-pin DC micro style terminal chamber Additional terminal chamber styles are available here.</p>	871A-TS4-DM	 <p>Surface mount kit Kit includes: threaded connector (1/2 in. NPT), surface-mount gasket, and lock washer</p>	855F-ASMK

Specifications

IMPORTANT Based on the weight and style of mounting, tower lights are subject to damage from shock and vibration. [Table 26](#) provides reference guidelines are reference guidelines for maximum acceptable conditions.

Table 37 - Mechanical

Standard Bases		Shock	Vibration
Surface-mount base or 10 cm or 25 cm aluminum pole base	1 module stack	150 G	2.5 G
	3 module stack	45 G	2.5 G
	5 module stack	35 G	2.0 G

Table 38 - Environment

Attribute		Value
Ingress ratings	Light modules	UL Type 4/4X/13, IP65
	Sound modules	UL Type 4/4X/13, IP65
	Surface, pole, vertical, tube mount bases	UL Type 4/4X/13, IP65
Temperature ranges	Operating	-25...+60 °C (-13...+140 °F)
	Storage	-25...+85 °C (-13...+185 °F)

Table 39 - Materials

Part	Material
Bases, caps, lens covers, sound module housings	Polycarbonate
Rubber seals and gaskets	Nitrile rubber
Pole (for aluminum pole assembly)	Aluminum
Pole base footing (for aluminum pole base)	Polycarbonate
Insulation sleeve (for pole insulation)	PVC
Mounting screw washers	Polyamide

Table 40 - Estimated Light Output ⁽¹⁾

Attribute	Estimated Light Output [mcd]
Steady, flashing, Red	1000
Steady, flashing, amber	800
Steady, flashing, green	1500
Steady, flashing, yellow	700
Steady, flashing, blue	250
Steady, flashing, white	1000

(1) Light output values are calculated from the LED Data Sheet and show typical values of luminous density. These values are not exact because the knurling in the lens affects the light distribution and because the viewing angle of the LED that directly relates to the Cd output value, is not identical for all LEDs.

Table 41 - Operating Voltage

Device	Operating Voltage		
	24V AC/DC	120V AC	240V AC
Light modules and sound modules	24V AC/DC ($\pm 10\%$)	110V AC, 50 Hz ($\pm 10\%$) 120V AC, 60 Hz ($\pm 10\%$)	230V AC, 50 Hz ($\pm 10\%$) 240V AC, 60 Hz ($\pm 10\%$)

Table 42 - Lamp Life Ratings (Design Life) Average Life Under Static, No Vibration, Conditions

Device	Lamp Life Rating		
	24V AC/DC	120V AC	240V AC
LED modules	100,000 hr		
Sound modules	20,000 hr		

Table 43 - Current Consumption

Device		Current Consumption [mA]		
		24V AC/DC	120V AC	240V AC
Light modules	Steady or flashing LED	20	22	21
Piezo-style sound modules	Single- and dual-circuit	53	22	21

Table 44 - Flashing Frequency (Light Only Modules)

Device	Flashing Frequency
Flashing LED modules	Approximately 2 Hz

Table 45 - Decibel Rating (Sound Modules)

Device	Decibel Rating
Piezo sound module	100 dbA (+2 dB/-5 dB) All dbA ratings are determined at a distance of 1 m (3.3 ft) from the sound module.

Table 46 - Leakage Current Impact

All light and sound modules can absorb up to 3 mA of leakage current from solid-state outputs without module activation.

Table 47 - Standards and Certifications ⁽¹⁾

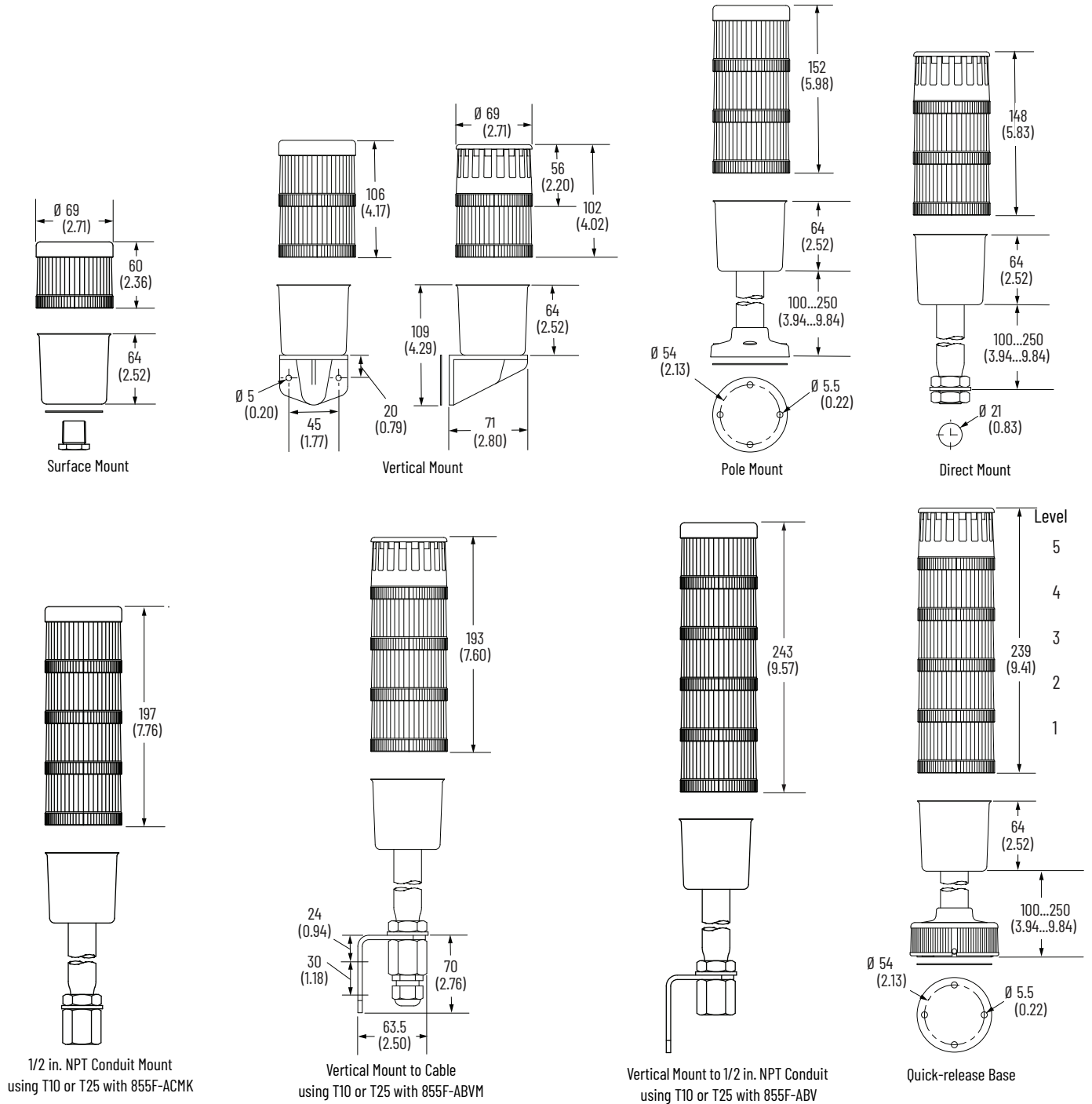
Standards Compliance	Certifications
<ul style="list-style-type: none"> UL 508 CSA C22.2 No. 14 EN/IEC 60947-1 EN/IEC 60947-5-1 	<ul style="list-style-type: none"> cULus Listed (File No. E14840, Guides NKCR, NKCR7) CE Marked

(1) For the most current certification information, use "855F" as the search criteria from rok.auto/certifications.

Approximate Dimensions

Dimensions are in millimeters (inches). Dimensions are not intended to be used for manufacturing purposes.

Assembled Stacks



Bulletin 854J/854K Control Tower Stack Lights

This product line includes 40 mm (854J) and 60 mm (854K) stack lights.

40 mm Control Tower Stack Lights

The 40 mm Control Tower stack lights provide reliable, high-performance, high-visibility machine multi-status indication in a cost-effective package. These Control Tower stack lights feature IP66 enclosure rating and is rated for indoor and outdoor use, which makes them an ideal signaling solution for a broad range of applications. With a wide variety of mounting bases available, these tower stack lights can be installed in any orientation – vertical, sideways, or upside-down – to best suit the application. They can be pre-assembled to save time or ordered as separate light and sound modules for customized field assembly.



Light Modules



854J - 10 TL 4
 a b c

a	
Voltage	
Code	Description
00	0...250V AC/DC (no-lamp module) ⁽¹⁾
24	24V AC/DC ⁽²⁾
10	120V AC ⁽²⁾
20	240V AC ⁽²⁾

b	
Light Module Type	
Code	Description
XN	Steady, no lamp ⁽³⁾
TL	Steady LED
GL	Flashing LED
BL	LED strobe, single flash

c	
Lens Color	
Code	Description
3	Green
4	Red
5	Amber
6	Blue
7	Clear
8	Yellow

- (1) Voltage Code 00 can only be selected with Light Module Type Code XN. Accepts 4 W socket mount incandescent lamp types only.
- (2) Not valid with Light Module Type Code XN.
- (3) Incandescent lamps (Cat. No. 854J-L24, 854J-L10, and 854J-L20) must be purchased separately.

Voltage	Lens Color	Light Module Type			
		Steady Incandescent	Steady LED	Flashing LED	Strobe LED
0...250V AC/DC	Green	854J-00XN3 ⁽¹⁾	—	—	—
	Red	854J-00XN4 ⁽¹⁾	—	—	—
24V AC/DC	Green	—	854J-24TL3	854J-24GL3	854J-24BL3
	Red	—	854J-24TL4	854J-24GL4	854J-24BL4
	Amber	—	854J-24TL5	854J-24GL5	854J-24BL5
120V AC	Green	—	854J-10TL3	854J-10GL3	854J-10BL3
	Red	—	854J-10TL4	854J-10GL4	854J-10BL4
	Amber	—	854J-10TL5	854J-10GL5	854J-10BL5
240V AC	Green	—	854J-20TL3	854J-20GL3	854J-20BL3
	Red	—	854J-20TL4	854J-20GL4	854J-20BL4
	Amber	—	854J-20TL5	854J-20GL5	854J-20BL5

(1) A lamp is not included. The lamp must be ordered separately.

Sound Modules

Sound modules have continuous and pulsing tones selectable via DIP switch. The maximum sound output is 80 dbA at 1 meter (3.3 feet).



854J - B 10 SA3
 a b c

a	
Housing Color	
Code	Description
B	Black

b	
Voltage	
Code	Description
24	24V AC/DC
10	120V AC
20	240V AC

c	
Module Type	
Code	Description
SA3	Single-circuit piezo-style steady/pulsing DIP switch selectable

Housing Color	Voltage	Module Type	Cat. No.
Black	24V AC/DC	Single-circuit sounder, single tone	854J-B24SA3
	120V AC		854J-B10SA3
	240V AC		854J-B20SA3

Standard Stack Light Bases



854J - B VM C
 a b c

a	
Housing Color	
Code	Description
B	Black

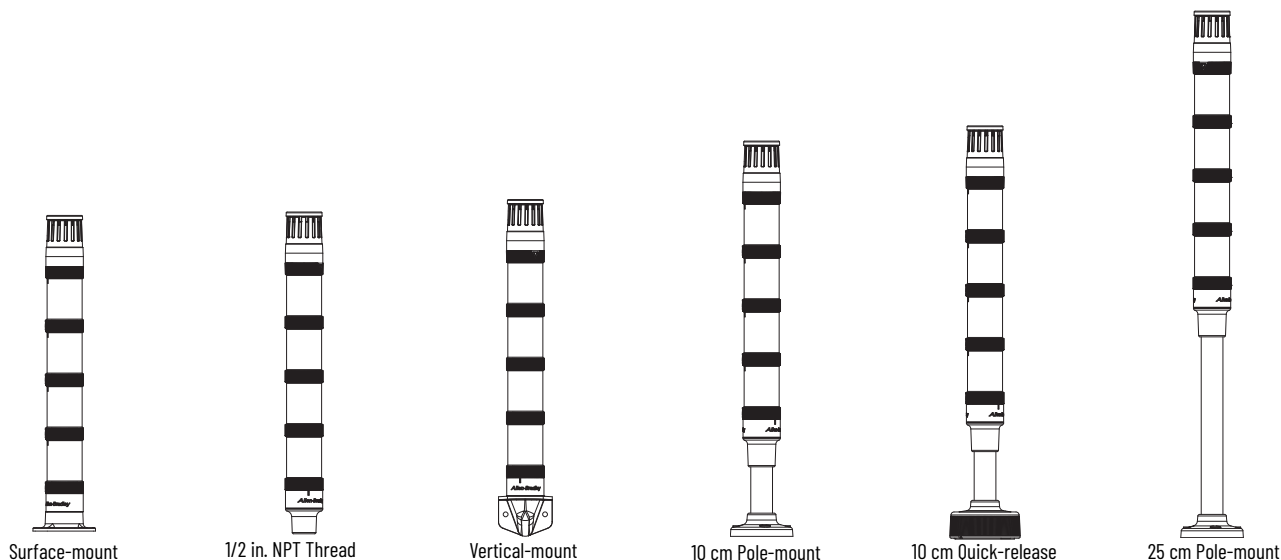
b	
Base Type ⁽¹⁾	
Code	Description
NPT	1/2 in. NPT
VM	Vertical mount
SH	Surface mount, pre-installed mounting hardware
SF	Surface mount, external mounting holes
PM10	10 cm (3.9 in.) aluminum pole mount base
PM25	25 cm (9.8 in.) aluminum pole mount base
T10	10 cm (3.9 in.) threaded tube (M20)
T25	25 cm (9.8 in.) threaded tube (M20)
DS	Double-sided base ⁽²⁾
Q10	10 cm (3.9 in.) quick-release base
Q25	25 cm (9.8 in.) quick-release base
SFQD5	Flange-style base with M12 (5-pin DC) micro connector ^{(3) (4) (5) (6) (7)}

c	
Cap Option	
Code	Description
C	Cap included

- (1) Base Type Code PM10, PM25, T10, T25, Q10, and Q25 have powder-coated aluminum tubes.
- (2) A double-sided base can accommodate up to ten modules per base that are divided in two groups up to five levels each.
- (3) For vertical mounting of this base, use the Cat. No. 855T-AVM, L-bracket for threaded tube base (vertical mount kit).
- (4) The maximum number of levels that are allowed in the stack is four.
- (5) For use with Bulletin 889D cord sets.
- (6) Cannot be used with 10 cm plastic base extension (Cat. No. 854J-ABBE).
- (7) Maximum 250V AC/DC UL / 60V AC/DC IEC.

Housing Color	Base Type	Cap	Cat. No.
Black	1/2 in. NPT thread	Cap included	854J-BNPTC
	Vertical mount		854J-BVMC
	Surface mount, pre-installed hardware		854J-BSHC
	Surface mount, external mounting holes		854J-BSFC
	10 cm (3.9 in.) aluminum pole mount		854J-BPM10C
	25 cm (9.8 in.) aluminum pole mount		854J-BPM25C
	10 cm (3.9 in.) threaded tube (M20)		854J-BT10C
	25 cm (9.8 in.) threaded tube (M20)		854J-BT25C
	Double-sided base		854J-BDSC
	10 cm (3.9 in.) quick-release base		854J-BQ10C
	25 cm (9.8 in.) quick-release base		854J-BQ25C
	Flange-style base with M12 (5-pin DC) micro connector		854J-BSFQD5C

Pre-configured Tower Lights, 1...5 Modules



854JC - **SF** **B** **10** **Y** **3** **L** **5** **B** **3** **L** **7** **Y** **6**
 a b c d c d c d c d c d c d
 (Level 1, c+d) (Level 2, c+d) (Level 3, c+d) (Level 4, c+d) (Level 5, c+d)

a	
Base Type ⁽¹⁾	
Code	Description
NPT	1/2 in. NPT
VM	Vertical mount
SF	Surface mount –external mounting holes
P10	10 cm (3.9 in.) aluminum pole mount with foot
P25	25 cm (9.8 in.) aluminum pole mount with foot
Q10	10 cm (3.9 in.) quick-release mount pole
Q25	25 cm (9.8 in.) quick-release mount pole

b	
Voltage	
Code	Description
24	24V AC/DC
10	120V AC

c	
Module Type	
Code	Description
Y	Steady LED
L	Flashing LED
B	Strobe LED—single flash
P	Piezo sound alarm, continuous/pulsing tone

d	
Lens Color/Sound	
Code	Description
1	Sound module ⁽²⁾
3	Green
4	Red
5	Amber
6	Blue
7	Clear
8	Yellow

(1) Base Type Code P10, P25, Q10, and Q25 have powder-coated aluminum tubes.







(2) Lens Color/Sound Code 1 can only be selected with Module Type Code P (Table c). They must be in the top position of the stack.

Accessories

Description		Cat. No.	
Incandescent lamps (4 W)	Voltage	24V AC/DC	854J-L24
		120V AC	854J-L10
		240V AC	854J-L20
	Incandescent lamp removal tool	800T-N82	
	Plastic vertical bracket for pole foot, black For use with Bulletin 855T, 855E, 854K, and 855F pole bases	854J-ABPB	
	Vertical-mount kit with L-bracket For use with threaded tube base types	854J-ABVM	
	Cap, black	854J-ABCAP	

Description		Cat. No.
O-ring	For lenses	854J-ALSG
	For bases	854J-ABSG
Direct-mount kit for threaded tube base type		854J-ARDM
	Conduit mount adapter For threaded tube base type (1/2 in. NPT to M20 x 1.5)	854J-ACMK
	Gasket For use with surface-mount (SF) base type	854J-ASG2
	10 cm plastic base extension, black	854J-ABBE
	Upper base with terminal block, black	854J-ABUB

Table 48 - Replacement Parts

Description		Cat. No.	Description		Cat. No.
Vertical-mount gasket For use with Cat. No. 854J-BVMC		855T-AVFG	Mounting screw washer kit One kit includes 20 pieces		855T-AMSG
Replacement flat gasket must be placed between the mounting surface and the vertical-mount base			Replacement flat washers are used to provide a seal where the mounting screw meets the pole base		
Pole foot gasket For use with 854J-BSFC, 854J-BSFQD5C bases, Bulletin 854J, and Bulletin 854K quick-release bases Must order multiples of 5		855T-APFG	Locking ring For use with Bulletin 854J quick-release bases		855D-ABQLR
Replacement flat gasket must be placed between the mounting surface and the pole base bottom foot			Quick-release mounting base with gasket		855D-AQMB
Internal gasket for quick-release base, five gaskets per bag		855D-AQ6			

Specifications

IMPORTANT Based on the weight and style of mounting, tower lights are subject to damage from shock and vibration. [Table 49](#) provides reference guidelines are reference guidelines for maximum acceptable conditions.

Table 49 - Mechanical

Standard Bases		Shock	Vibration
Surface-mount base or 10 cm (3.9 in.) aluminum pole base	1 module stack	50 G	5 G
	3 module stack	50 G	5 G
	5 module stack	40 G	5 G
Vertical base or 25 cm (9.8 in.) aluminum pole base	1 module stack	55 G	5 G
	3 module stack	55 G	5 G
	5 module stack	35 G	5 G
Recommended wire size		0.2...1.5 mm ² (24...16 AWG)	
Recommended terminal torque		Screwless terminal blocks	

Table 50 - Environment

Attribute	Value	
Ingress ratings	Light modules	
	Sound modules	
	Surface, vertical, tube mount bases	UL Type 4/4X/13, IP66
	Pole-mount bases	
Flange-style base with M12 micro connector ⁽¹⁾		
Temperature ranges	Operating -30...+60 °C (-22...+140 °F) For Cat. No. 854J-BSFQD5C only: -30...+45 °C (-22...+113 °F)	
	Storage -30...+85 °C (-22...+185 °F)	

(1) UL Type 1 when used with Cat. No. 855T-AVM mounting bracket.

Table 51 - Materials

Part	Material
Bases, caps, lens covers, sound module housings	Polycarbonate
Lamp socket	Polycarbonate
Rubber seals and gaskets	Nitrile rubber
Pole (for aluminum pole assembly)	Aluminum
Pole base footing (for aluminum pole base)	Polycarbonate
Mounting screw washers	Polypropylene

Table 52 - Estimated Light Output

Device		Estimated Light Output [mcd]		Device		Estimated Light Output [mcd]	
		24V AC/DC	120V AC, 240V AC			24V AC/DC	120V AC, 240V AC
Strobe LED	Red	4430	3915	Steady/ flashing LED	Red	1793	2392
	Green	4216	4080		Green	1714	3400
	Amber	4430	3915		Amber	1793	2391
	Blue	1673	1619		Blue	680	1349
	White	4464	4320		White	1814	3600
	Yellow	3715	3283		Yellow	1503	2006

Table 53 - Operating Voltage

Device	Operating Voltage		
	24V AC/DC	120V AC	240V AC
Light modules and sound modules	24V AC/DC (±10%)	110V AC, 50 Hz (±10%) 120V AC, 60 Hz (±10%)	230V AC, 50 Hz (±10%) 240V AC, 60 Hz (±10%)

Table 54 - Lamp Life Ratings (Design Life) Average Life Under Static, No Vibration, Conditions

Device	Lamp Life Rating		
	24V AC/DC	120V AC	240V AC
LED modules	50,000 hr		
Sound modules	20,000 hr		

Table 55 - Current Consumption [mA]

Device		Current Consumption [mA]		
		24V AC/DC	120V AC	240V AC
Light only modules	Steady LED	22 (red, amber, and yellow) 33 (green, blue, and white)	30 (red, amber, and yellow) 29 (green, blue, and white)	
	Flashing LED	28 (red, amber, and yellow) 36 (green, blue, and white)	30 (red, amber, and yellow) 29 (green, blue, and white)	
	Strobe LED	35 (red, amber, and yellow) 65 (green, blue, and white)	10	
Sound modules	Single-tone	65	31	32

Table 56 - Flashing Frequency (Light Only Modules)

Device	Flashing Frequency
Flashing LED Modules	Approximately 1.5 Hz; Time On/Time OFF = 1:1
LED Strobe Modules	Approximately 2 Hz (flash duration 1/50,000 second)

Table 57 - Decibel Rating (Sound Modules) ⁽¹⁾

Device	Decibel Rating
Single-tone sound module	80 dbA (non-adjustable)
Tone frequency	Preset at 2500 Hz

(1) All dbA ratings are determined at a distance of 1 m (3.3 ft) from the sound module.

Table 58 - Leakage Current Impact

All light and sound modules can absorb up to 3 mA of leakage current from solid-state outputs without module activation.

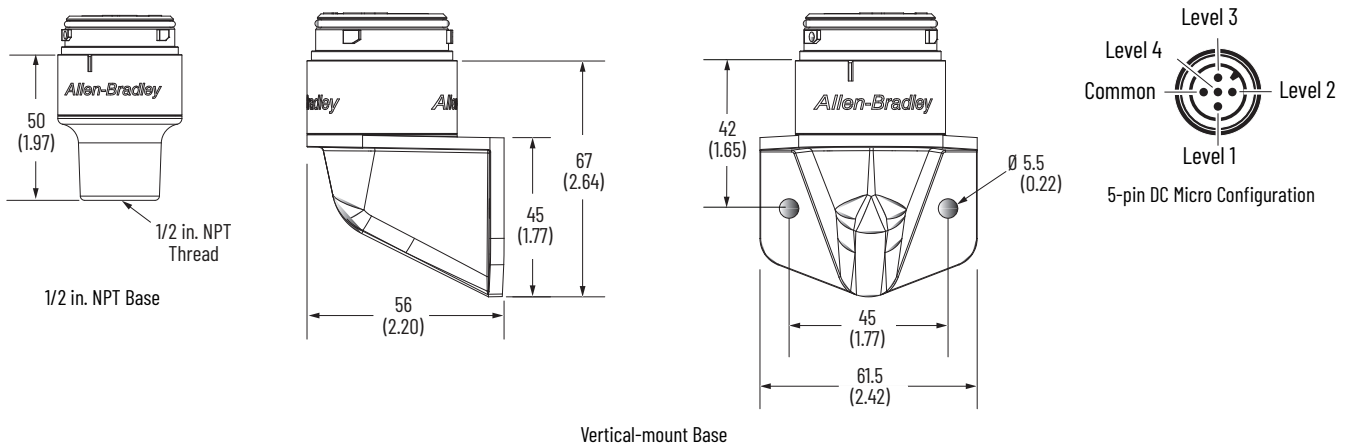
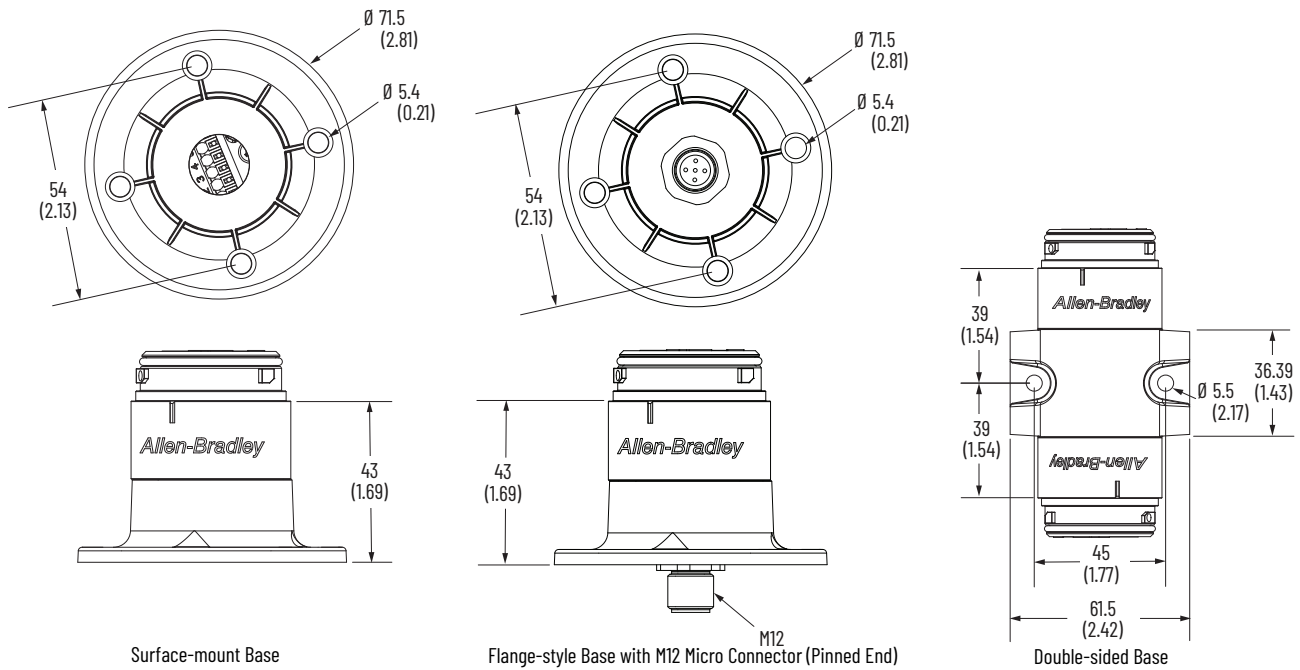
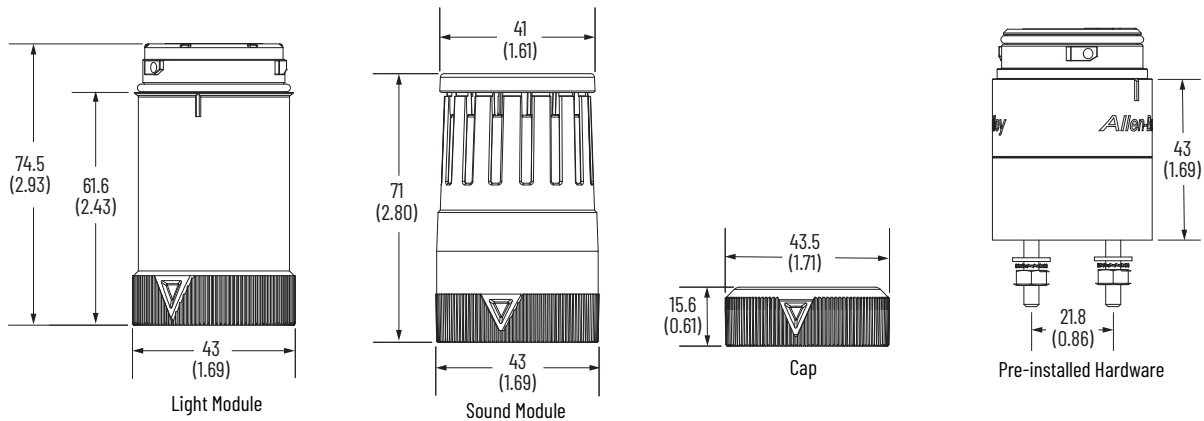
Table 59 - Standards and Certifications ⁽¹⁾

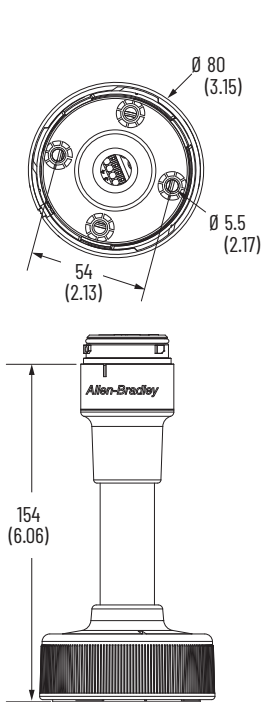
Standards Compliance	Certifications
<ul style="list-style-type: none"> UL 508 CSA C22.2 No. 14 EN/IEC 60947-1 EN/IEC 60947-5-1 	<ul style="list-style-type: none"> cULus Listed (File No. E14840, Guides NKCR, NKCR7) CE Marked RoHS Compliant

(1) For the most current certification information, use "854J" as the search criteria from rok.auto/certifications.

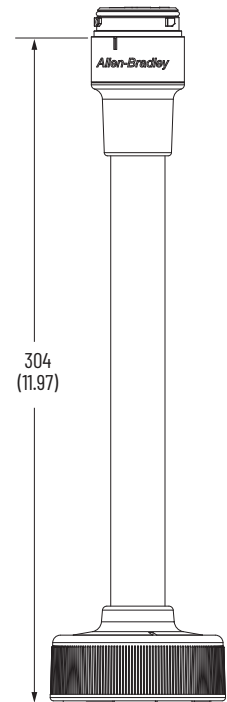
Approximate Dimensions

Dimensions are in millimeters (inches). Dimensions are not intended to be used for manufacturing purposes.

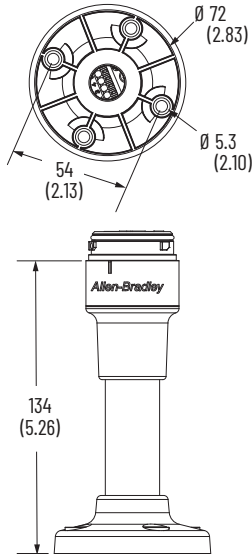




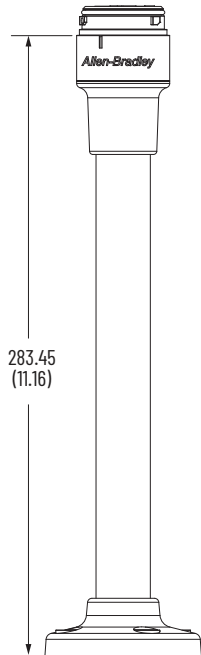
Quick-release Base, 10 cm



Quick-release Base, 25 cm



Pole-mount Base, 10 cm



Pole-mount Base, 25 cm

60 mm Control Tower Stack Lights

60 mm Control Tower stack lights are designed to communicate application status, alerting you to critical equipment and system needs on the plant floor. They feature an IP66 enclosure rating and is rated for indoor and outdoor use, which makes them an ideal signaling solution for a broad range of applications. With a wide variety of mounting bases available, they can be installed in any orientation – vertical, sideways, or upside-down – to best suit the application. They can be pre-assembled to save time or ordered as separate light and sound modules for customized field assembly.

Light Modules



854K - $\frac{10}{a}$ $\frac{TL}{b}$ $\frac{4}{c}$

a	
Voltage	
Code	Description
00	0...250V AC/DC (no lamp module) ⁽¹⁾
24	24V AC/DC ⁽²⁾
10	120V AC ⁽²⁾
20	240V AC ⁽²⁾

b	
Light Module Type	
Code	Description
XN	Steady no lamp ⁽³⁾
TL	Steady socket-mount LED
GL	Flashing socket-mount LED
BL	LED strobe, single flash

c	
Lens Color	
Code	Description
3	Green
4	Red
5	Amber
6	Blue
7	Clear
8	Yellow

- (1) Voltage Code 00 can only be selected with Light Module Type Code XN. Accepts socket mount incandescent lamp types only.
 (2) Not valid with Light Module Type Code XN (Table b).
 (3) Incandescent lamps (Cat. No. 854J-L24, 854J-L10, and 854J-L20) must be purchased separately.

Voltage	Color	Light Module Type			
		Steady Incandescent	Steady LED	Flashing LED	Strobe LED
0...250V AC/DC	Green	854K-00XN3 ⁽¹⁾	—	—	—
	Red	854K-00XN4 ⁽¹⁾	—	—	—
24V AC/DC	Green	—	854K-24TL3	854K-24GL3	854K-24BL3
	Red	—	854K-24TL4	854K-24GL4	854K-24BL4
	Amber	—	854K-24TL5	854K-24GL5	854K-24BL5
120V AC	Green	—	854K-10TL3	854K-10GL3	854K-10BL3
	Red	—	854K-10TL4	854K-10GL4	854K-10BL4
	Amber	—	854K-10TL5	854K-10GL5	854K-10BL5
240V AC	Green	—	854K-20TL3	854K-20GL3	854K-20BL3
	Red	—	854K-20TL4	854K-20GL4	854K-20BL4
	Amber	—	854K-20TL5	854K-20GL5	854K-20BL5

(1) A lamp is not included. The lamp must be ordered separately.

Sound Modules

Sound modules have continuous and pulsing tones selectable via DIP switch. The maximum sound output is 90 dbA at 1 m (3.28 ft) and the volume is adjustable.



854K - B 10 SA3
 a b c

a	
Housing Color	
Code	Description
B	Black

b	
Voltage	
Code	Description
24	24V AC/DC
10	120V AC
20	240V AC

c	
Module Type	
Code	Description
SA3	Single-circuit/single-tone piezo-style steady/pulsing DIP switch selectable

Housing Color	Voltage	Module Type	Cat. No.
Black	24V AC/DC	Single-circuit sounder, single tone	854K-B24SA3
	120V AC		854K-B10SA3
	240V AC		854K-B20SA3

Standard Stack Light Bases



854K - B VM C
 a b c

a	
Housing Color	
Code	Description
B	Black

b	
Base Type ⁽¹⁾	
Code	Description
NPT	1/2 in. NPT threading
VM	Vertical mount
SH	Surface-mount, pre-installed mounting hardware
SF	Surface-mount, external mounting holes
PM10	10 cm (3.9 in.) aluminum pole-mount base
PM25	25 cm (9.8 in.) aluminum pole-mount base
T10	10 cm (3.9 in.) threaded tube (M20)
T25	25 cm (9.8 in.) threaded tube (M20)
DS	Double-sided base ⁽²⁾
Q10	10 cm (3.9 in.) quick-release base
Q25	25 cm (9.8 in.) quick-release base
SFQD5	Flange-style base with M12 (5-pin DC) micro connector ⁽³⁾

c	
Cap Option	
Code	Description
C	Cap included

- (1) Base Type Code PM10, PM25, T10, T25, Q10, and Q25 bases have powder-coated aluminum tubes.
- (2) Base Type Code DS, double-sided base, can accommodate up to ten modules per base that are divided in two groups up to five levels each.
- (3) For vertical mounting, use the Cat. No 854K-AVM vertical mounting bracket.
 The maximum number of levels that are allowed in the stack is four.
 For use with Bulletin 889D cord sets.
 Cannot be used with 10 cm plastic base extension (Cat. No. 854K-ABBE).
 Maximum 250V AC/DC UL / 60V AC/DC IEC.

Housing Color	Base Type	Cap	Cat. No.
Black	1/2 in. NPT thread	Cap included	854K-BNPTC
	Vertical mount		854K-BVMC
	Surface mount – pre-installed hardware		854K-BSHC
	Surface mount – external mounting holes		854K-BSFC
	10 cm (3.9 in.) aluminum pole mount		854K-BPM10C
	25 cm (9.8 in.) aluminum pole mount		854K-BPM25C
	10 cm (3.9 in.) threaded tube (M20)		854K-BT10C
	25 cm (9.8 in.) threaded tube (M20)		854K-BT25C
	Double-sided base		854K-BDSC
	10 cm (3.9 in.) quick-release base		854K-BQ10C
	25 cm (9.8 in.) quick-release base		854K-BQ25C
	Flange-style base with M12 (5-pin DC) micro connector		854K-BSFQD5C

Accessories


















Description		Cat. No.	
Incandescent lamps (4 W)	Voltage	24V AC/DC	854J-L24
		120V AC	854J-L10
		240V AC	854J-L20
	Incandescent lamp removal tool	800T-N82	
	10 cm plastic base extension, black	854K-ABBE	
	O-rings for lenses	854K-ALSG	
	Gasket For surface-mount bases	854K-ASG2	

Table 60 - Replacement Parts

Description		Cat. No.
	Locking ring For use with Bulletin 854J quick-release bases	855D-ABQLR
	Internal gasket For use with quick-release bases Five internal gaskets per bag	855D-AQG
	Quick-release mounting base with gasket	855D-AQMB
	Plastic vertical bracket For use with Bulletin 854K pole-mount bases	854J-ABPB
	Vertical mount kit For use with a threaded tube base	854J-ABVM

Description		Cat. No.
	Upper base with terminal block, black	854K-ABUB
	Cap, black	854K-ABCAP
	Gasket For vertical-mount bases	854K-AVFG
	Gasket For surface-mount bases with external mounting holes	854K-ASG4
	Vertical mounting bracket For flange-style bases (Cat. No. 854K-BSFQD5C) or surface-mount bases (Cat. No. 854K-BSFC)	854K-AVM

Description		Cat. No.
	Conduit mount adapter 1/2 in. NPT to M20x1.5 For use with a threaded tube base	854J-ACMK
Direct-mount kit For use with a thread-tube base		854J-ARDM
	Mounting screw washer kit One kit includes 20 pieces Replacement flat washers are used to provide a seal where the mounting screw meets the pole base	855T-AMSG
	Pole foot gasket Must order multiples of 5 For use with Cat. No. 854J-BSFC and 854J-BSFQD5C surface-mount bases, Bulletin 854J quick-release bases, and Bulletin 854K quick-release bases Replacement flat gasket is to be placed between the mounting surface and the pole base bottom foot	855T-APFG

Specifications

IMPORTANT Based on the weight and style of mounting, tower lights are subject to damage from shock and vibration. [Table 61](#) provides reference guidelines are reference guidelines for maximum acceptable conditions.

Table 61 - Mechanical

Standard Bases		Shock	Vibration
Surface-mount base with external holes or 10 cm (3.9 in.) aluminum pole base	1 module stack	50 G	5 G
	3 module stack	50 G	5 G
	5 module stack	40 G	5 G
Vertical base or 25 cm (9.8 in.) aluminum pole base	1 module stack	55 G	5 G
	3 module stack	55 G	5 G
	5 module stack	35 G	5 G
Recommended wire size		0.2...1.5 mm ² (24...16 AWG)	
Recommended terminal torque		Screwless terminal blocks	

Table 62 - Environment

Attribute		Value
Ingress ratings	Light modules with cap	UL Type 4/4X/13, IP66
	Sound modules	UL Type 4/4X/13, IP66
	Surface, vertical, tube mount bases	UL Type 4/4X/13, IP66
	Pole-mount bases	UL Type 4/4X/13, IP66
	Flange-style base with M12 micro connector ⁽¹⁾	UL Type 4/4X/13, IP66
Temperature ranges	Operating	-30...+60 °C (-22...+140 °F) For Cat. No. 854J-BSFQD5C only: -30...+45 °C (-22...+113 °F)
	Storage	-30...+85 °C (-22...+185 °F)

(1) UL Type 1 when used with Cat. No. 855K-AVM mounting bracket.

Table 63 - Materials

Part	Material
Bases, caps, lens covers, sound module housings, lenses	Polycarbonate
Lamp socket	Polycarbonate
Rubber seals and gaskets	Nitrile rubber
Pole (for aluminum pole assembly)	Aluminum
Pole base footing (for aluminum pole base)	Polycarbonate
Mounting screw washers	Polypropylene

Table 64 - Light Output

Device	Light Output [mcd]	
	24V AC/DC	120V AC, 240V AC
Strobe LED	Red	4430
	Green	4216
	Amber	4430
	Blue	1673
	White	4464
	Yellow	3715
Steady/flashing LED	Red	1793
	Green	1714
	Amber	1793
	Blue	680
	White	1814
	Yellow	1503

Table 65 - Operating Voltage

Device	Operating Voltage		
	24V AC/DC	120V AC	240V AC
Light modules and sound modules	24V AC/DC ($\pm 10\%$)	110V AC, 50 Hz ($\pm 10\%$) 120V AC, 60 Hz ($\pm 10\%$)	230V AC, 50 Hz ($\pm 10\%$) 240V AC, 60 Hz ($\pm 10\%$)

Table 66 - Lamp Life Ratings (Design Life) Average Life Under Static, No Vibration, Conditions

Device	Lamp Life Rating		
	24V AC/DC	120V AC	240V AC
LED modules	50,000 hr		
Sound modules	20,000 hr		

Table 67 - Current Consumption

Device		Current Consumption [mA]		
		24V AC/DC	120V AC	240V AC
Light only modules	Steady LED	22 (red, amber, and yellow) 33 (green, blue, and white)	30 (red, amber, and yellow) 29 (green, blue, and white)	
	Flashing LED	28 (red, amber, and yellow) 36 (green, blue, and white)	30 (red, amber, and yellow) 29 (green, blue, and white)	
	Strobe LED	35 (red, amber, and yellow) 65 (green, blue, and white)	10	
Sound modules	Single-tone	65	31	32

Table 68 - Flashing Frequency (Light Only Modules)

Device	Flashing Frequency
Flashing LED modules	Approximately 1.5 Hz; Time On/Time OFF = 1:1
LED strobe modules	Approximately 2 Hz (flash duration 1/50,000 second)

Table 69 - Tone Frequency

Attribute	Value
Tone frequency	Preset at 2500 Hz

Table 70 - Decibel Rating (Sound Modules)

Device	Decibel Rating
Single-tone sound module (SA3)	Maximum volume output is 80 dbA (non-adjustable) All dbA ratings are determined at a distance of 1 m (3.3 ft) from the sound module.

Table 71 - Leakage Current Impact

All light and sound modules can absorb up to 3 mA of leakage current from solid-state outputs without module activation.

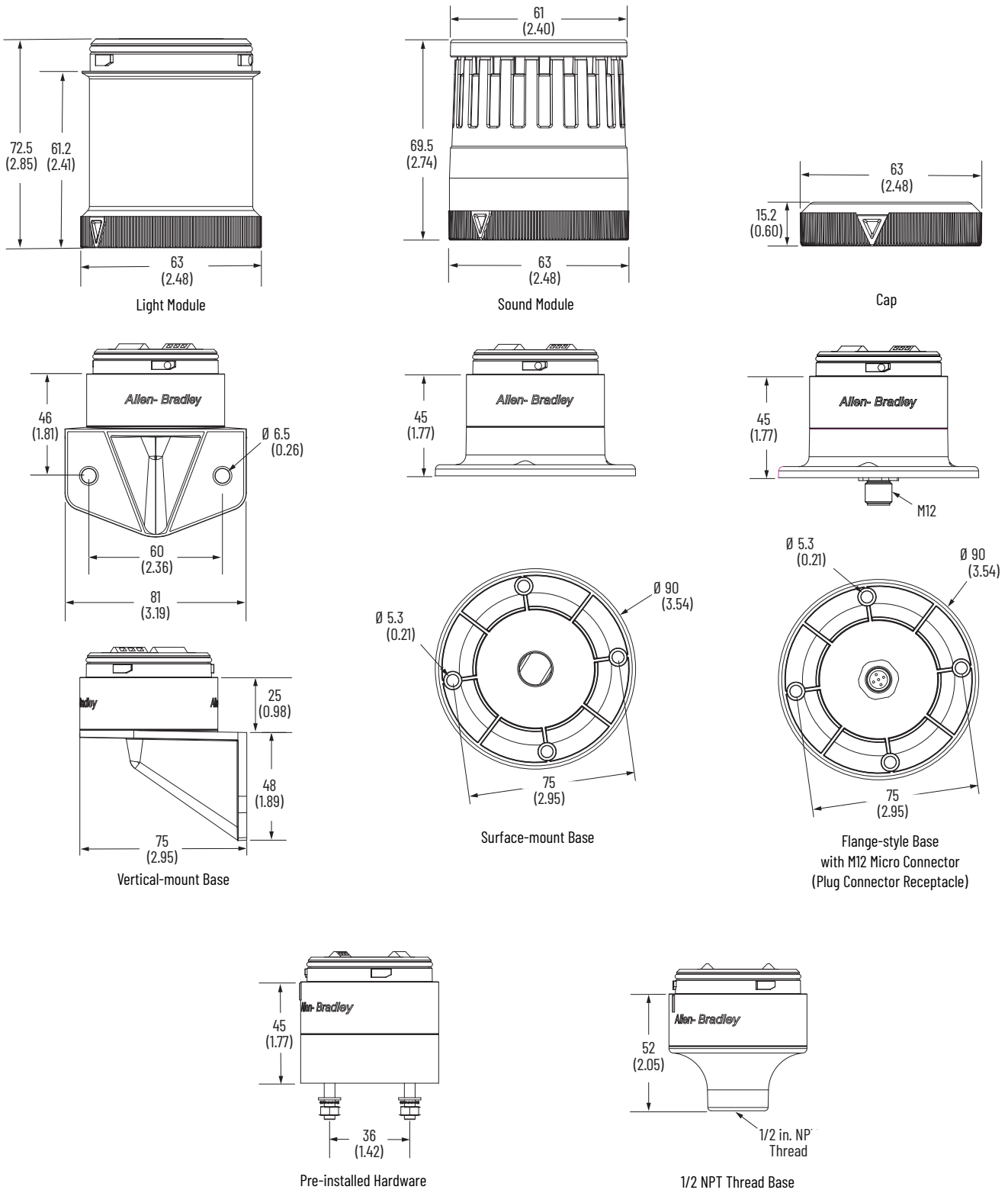
Table 72 - Standards and Certifications ⁽¹⁾

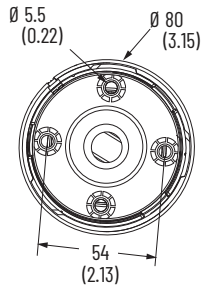
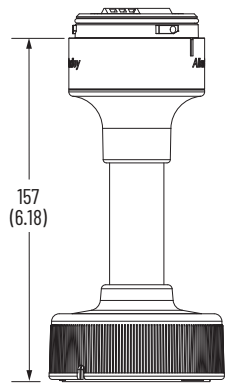
Standards Compliance	Certifications
<ul style="list-style-type: none"> UL 508 CSA C22.2 No. 14 EN/IEC 60947-1 EN/IEC 60947-5-1 	<ul style="list-style-type: none"> c-UL-us Listed (File No. E14840, Guides NKCR, NKCR7) CE Marked RoHS Compliant

(1) For the most current certification information, use "855K" as the search criteria from rok.auto/certifications.

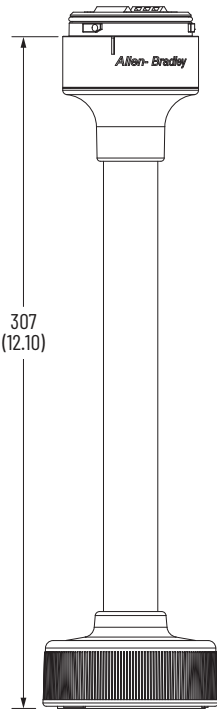
Approximate Dimensions

Dimensions are in millimeters (inches). Dimensions are not intended to be used for manufacturing purposes.

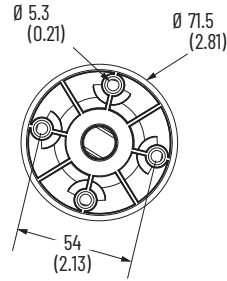
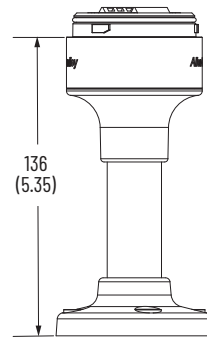




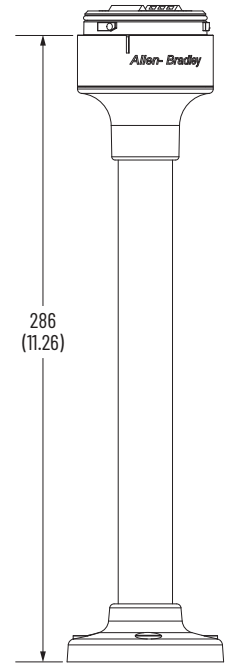
Quick-release Base
10 cm Base



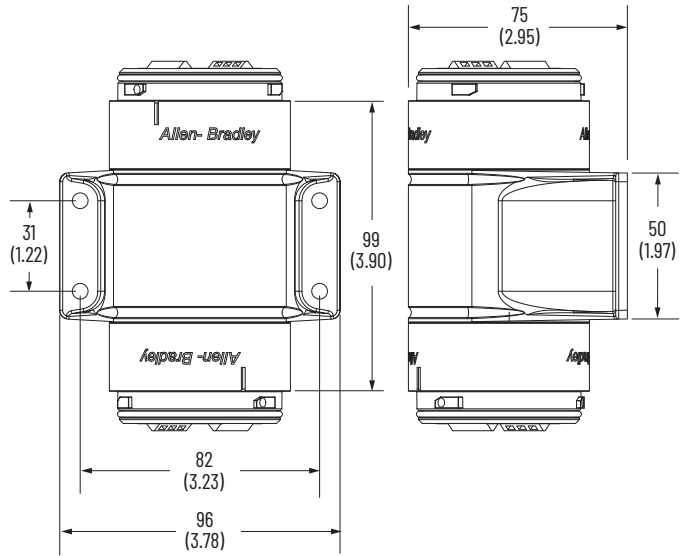
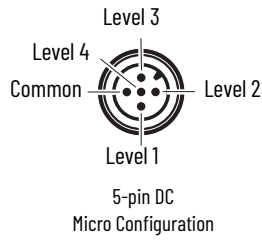
Quick-release Base
25 cm Base



Pole-mount Base
10 cm Base



Pole-mount Base
25 cm Base



Double-sided Base

Notes:

Bulletin 855E/855T Control Tower Stack Lights

This product line includes 50 mm (855E) and 70 mm (855T) Control Tower stack lights.

50 mm Control Tower Stack Lights

The 50 mm Control Tower stack lights are designed to communicate application status, alerting you to critical equipment and system needs on the plant floor. They can be pre-assembled to save time or ordered as separate light and sound modules for customized field assembly.

Light Modules



855E - 10 DN 3
 a b c

a	
Voltage	
Code	Description
00	0...250V AC/DC (no lamp module) ⁽¹⁾
12	12V AC/DC
24	24V AC/DC
10	120V AC
20	240V AC

b	
Light Module Type	
Code	Description
XN	Steady no lamp ⁽¹⁾
DN	Steady incandescent
FN	Flashing incandescent
TL	Steady socket-mount LED
GL	Flashing socket-mount LED
BR	Strobe

c	
Lens Color	
Code	Description
3	Green
4	Red
5	Amber
6	Blue
7	Clear
8	Yellow
9	Magenta ⁽²⁾

(1) Voltage Code 00 can only be selected with Light Module Type Code XN. Accepts socket mount incandescent lamp types only.

(2) Lens Color Code 9 can only be selected with Light Module Type Code TL, Voltage Code 24 or 10, or Light Module Type Code XN for Voltage Code 00.

Sound Modules

Sound modules have continuous and pulsing tones. The maximum sound output is 103 dB at 1 m (3.3 ft). A reduced volume setting is available by changing the position of the volume DIP switch, which produces a sound output of 88 dbA at 1 m (3.3 ft).



855E - B 24 SA3
 a b c

a	
Housing Color	
Code	Description
B	Black
G	Gray

b	
Voltage	
Code	Description
12	12V AC/DC
24	24V AC/DC
10	120V AC
20	240V AC

c	
Module Type	
Code	Description
SA3	Single circuit/single tone piezo style steady/pulsing DIP switch selectable
TA3	Two circuit/two-tone piezo style steady/pulsing DIP switch selectable

Standard Stack Light Bases



855E - B VM C
 a b c

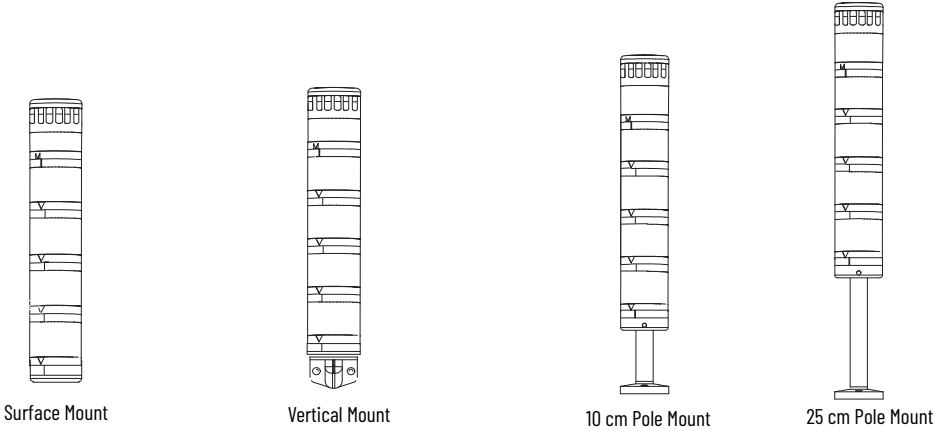
a	
Housing Color	
Code	Description
B	Black
G	Gray

b	
Base Type	
Code	Description
CB	Surface-mount with 1/2 in. NPT threading
RB	Surface-mount with M20 metric threading
SB	Surface-mount with PG16 threading
TM	25 mm (0.98 in.) tube-mount
VM	Vertical-mount
PM10	10 cm (3.9 in.) aluminum pole-mount base
PM25	25 cm (9.8 in.) aluminum pole-mount base
PM40	40 cm (15.7 in.) aluminum pole-mount base
PM60	60 cm (23.6 in.) aluminum pole-mount base
PM80	80 cm (31.5 in.) aluminum pole-mount base
MM10	10 cm (3.9 in.) quick-release base ⁽¹⁾
MM25	25 cm (9.8 in.) quick-release base ⁽¹⁾
MM40	40 cm (15.7 in.) quick-release base ⁽¹⁾

c	
Cap Option	
Code	Description
Blank	No cap
C	Cap included

(1) Quick-release bases always include a cap.

Pre-configured Tower Lights, 1...5 Modules



855 EC - B 10 Y 3 L 5 B 3 F 7 Y 6
 a b c d e d e d e d e d e
 (Level 1, d+e) (Level 2, d+e) (Level 3, d+e) (Level 4, d+e) (Level 5, d+e)

a		b		d		e	
Base Type		Base & Cap Color		Module Type		Lens Color/Sound	
Code	Description	Code	Description	Code	Description	Code	Description
EC	Surface-mount - 1/2 in. NPT threading	B	Black	D	Steady incandescent	1	Sound module ⁽²⁾
ES	Surface-mount - PG16	G	Gray	F	Flashing incandescent	3	Green
EV	Vertical mount			Y	Steady LED	4	Red
EM	25 mm tube mount			L	Flashing LED	5	Amber
EP	10 cm (3.9 in.) pole-mount			B	Strobe	6	Blue
EE	25 cm (9.8 in.) pole-mount			P	Single-circuit piezo sound module	7	Clear
				Q	Two-circuit piezo sound module ⁽¹⁾	8	Yellow

c	
Voltage	
Code	Description
12	12V AC/DC
24	24V AC/DC
10	120V AC
20	240V AC

(1) For Module Type Q, the maximum number of light modules that are allowed is three.
 (2) Lens Color/Sound Code 1 can only be selected with Module Type Code P or Q. They must be in the top position of the stack.

Accessories

See [Accessories on page 71](#).

Specifications

IMPORTANT Based on the weight and style and mounting, tower lights are subject to damage from shock vibration. The following specifications are reference guidelines for maximum acceptable conditions.

Table 73 - Mechanical

Standard Bases		Shock	Vibration
Surface-mount base or 10 cm aluminum pole base	1 module stack	150 G	5 G
	3 module stack	45 G	1.5 G
	5 module stack	35 G	0.75 G
Vertical base or 25 cm aluminum pole base	1 module stack	95 G	3.5 G
	3 module stack	30 G	1.25 G
	5 module stack	20 G	0.5 G
Recommended wire size		0.5...1.5 mm ² (22...16 AWG)	
Recommended terminal torque		0.87 N•m (7 lb•in)	

Table 74 - Environment

Attribute	Value
Ingress ratings	Light modules with cap
	Sound modules
	Surface, vertical, tube mount bases
	Pole-mount bases
	Flange-style base with M12 micro connector ⁽¹⁾
Temperature ranges	Operating
	Storage

(1) UL Type 1 when used with Cat. No. 855T-AVM mounting bracket.

Table 75 - Materials

Part	Material
Bases, caps, lens covers, sound module housings, lenses	Polycarbonate
Lamp socket	Polycarbonate
Rubber seals and gaskets	Nitrile rubber
Pole (for aluminum pole assembly)	Aluminum
Pole base footing (for aluminum pole base)	Polycarbonate
Insulation sleeve (for pole insulation)	Polyolefin
Mounting screw washers	Polypropylene

Table 76 - Light Output

Device	Light Output			
	12V AC/DC	24V AC/DC	120V AC	240V AC
Steady incandescent	0.5 MSCP	2.5 MSCP	3.0 MSCP	0.49 MSCP
Flashing incandescent	6.3 lumens	31.4 lumens	37.7 lumens	6.2 lumens
Strobe	1 J per lamp			
Steady, flashing socket-mount LED	Red	900...2240 mcd		
	Green	900...1800 mcd		
	Amber	1400...3550 mcd		
	Blue	224...560 mcd		
	White and yellow	900...1800 mcd		

Table 77 - Operating Voltage

Device	Operating Voltage			
	12V AC/DC	24V AC/DC	120V AC	240V AC
Light modules and sound modules	12V AC/DC (±10%)	24V AC/DC (±10%)	110V AC, 50 Hz (±10%) 120V AC, 60 Hz (±10%)	230V AC, 50 Hz (±10%) 240V AC, 60 Hz (±10%)

Table 78 - Lamp Life Ratings (Design Life) Average Life Under Static, No Vibration, Conditions

Device	Lamp Life Rating			
	12V AC/DC	24V AC/DC	120V AC	240V AC
Incandescent modules ⁽¹⁾	8000 hr	7000 hr	3000 hr	1600 hr
LED modules	100,000 hr			
Strobe modules	15,000 hr			
Sound modules	20,000 hr			

(1) First failures occur at about 35% of average life. Severe vibration can reduce life to 44% of average life. Flashing applications can reduce life to 50% of average life.

Table 79 - Current Consumption

Device		Current Consumption [mA]		
		24V AC/DC	120V AC	240V AC
Light only modules	Steady LED	22 (red, amber, and yellow) 33 (green, blue, and white)	30 (red, amber, and yellow) 29 (green, blue, and white)	
	Flashing LED	28 (red, amber, and yellow) 36 (green, blue, and white)	30 (red, amber, and yellow) 29 (green, blue, and white)	
	Strobe LED	35 (red, amber, and yellow) 65 (green, blue, and white)	10	
Sound modules	Single-tone	65	31	32

Table 80 - Flashing and Tone Frequency

Attribute	Value
Flashing Frequency (Light Only Modules)	
Flashing incandescent modules	12V module approximately 1.5 Hz 24V, 120V, and 240V modules approximately 2 Hz Time ON/Time OFF = 1:1
Flashing LED modules	Approximately 1.5 Hz; Time On/Time OFF = 1:1
LED strobe modules	Approximately 2 Hz (flash duration 1/50,000 second)
Flashing and Tone Frequency (Light Modules/with Sound Set at Continuous Tone)	
Tone frequency	Tone frequency is preset at 2800 Hz
Flashing and Tone Pulsing Frequencies (Light Modules/with Sound Set at Pulsing Tone)	
Tone frequency	Tone frequency is preset at 2800 Hz

Table 81 - Decibel Rating (Sound Modules)

Device	Decibel Rating
Single-tone sound module (SA3)	Maximum volume ranges from 88 dbA or 103 dbA Volume is adjustable by the DIP switch All dbA ratings are determined at a distance of 1 m (3.3 ft) from the sound module
Two-tone sound module (TA3)	

Table 82 - Leakage Current Impact

All light and sound modules can absorb up to 3 mA of leakage current from solid-state outputs without module activation.

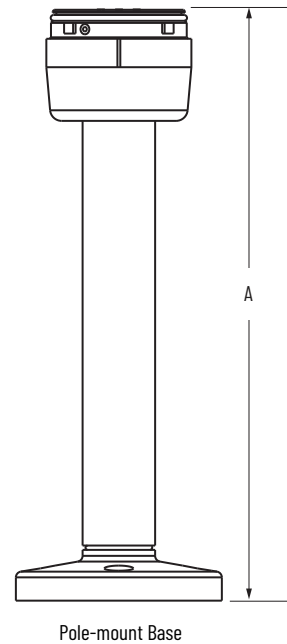
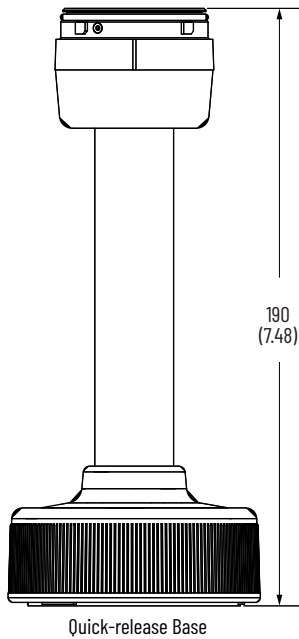
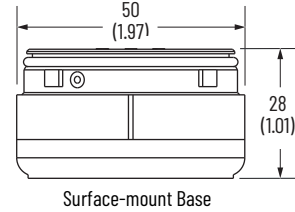
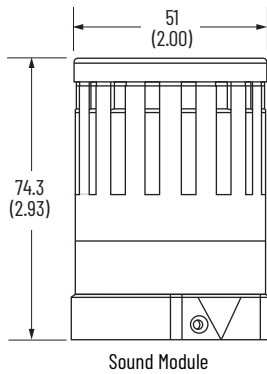
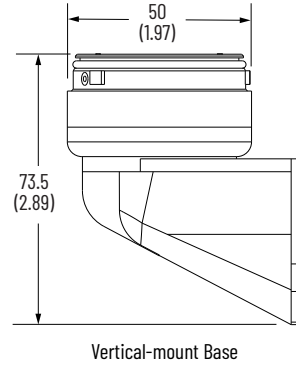
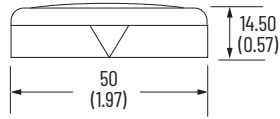
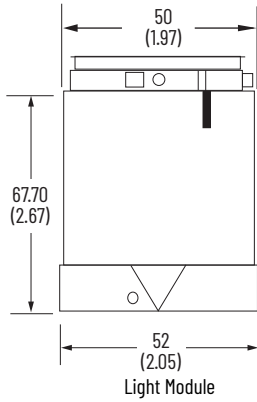
Table 83 - Standards and Certifications ⁽¹⁾

Standards Compliance	Certifications
<ul style="list-style-type: none"> • UL 508 • CSA C22.2 No. 14 • EN/IEC 60947-1 • EN/IEC 60947-5-1 	<ul style="list-style-type: none"> • cULus Listed (File No. E14840, Guides NKCR, NKCR7) • CE Marked

(1) For the most current certification information, use "855E" as the search criteria from rok.auto/certifications.

Approximate Dimensions

Dimensions are in millimeters (inches). Dimensions are not intended to be used for manufacturing purposes.



Height		Pole-mount Base				
		PM10	PM25	PM40	PM60	PM80
mm (in.)	A	131 5.16	280.5 11.04	430.5 16.95	630.5 24.82	830.6 32.70

70 mm Control Tower Stack Lights

These devices are designed to communicate application status, alerting you to critical equipment and system needs on the plant floor. They can be pre-assembled to save time or ordered as separate light and sound modules for customized field assembly.

Light Modules



855T - B 10 DN 3
 a b c d

a	
Housing Color	
Code	Description
B	Black
G	Gray

b	
Voltage	
Code	Description
00	0...250V AC/DC (use only with module code XN)
12	12V AC/DC
24	24V AC/DC
10	120V AC
20	240V AC

c	
Light Module Type	
Code	Description
XN	Steady no lamp ⁽¹⁾
DN	Steady incandescent
FN	Flashing incandescent
TL	Steady LED
GL	Flashing LED
RL	Rotating LED, simulated with fixed LEDs ⁽²⁾
BR	Strobe

d	
Lens Color	
Code	Description
3	Green
4	Red
5	Amber
6	Blue
7	Clear
8	Yellow

- (1) For Light Module Type Code XN, only Voltage Code 00 can be selected. Accepts LED module or incandescent lamp.
- (2) For Light Module Type RL, only Voltage Codes 10 or 24 can be selected and Lens Color Codes 3, 4, or 5 can be selected.

Combined Light Modules with Piezo Sounder

All single-circuit modules contain a selected light option with a sound device that operates simultaneously. All two-circuit modules contain two circuits that allow for separate operation of light or sound. The piezo-style sound modules can be switched to pulsing or continuous sound with a DIP switch. The volume can be adjusted to either low (92 dbA) or high (107 dbA), via a DIP switch. UL Type 4/4X/13, IP65.



855T - B 10 DC 5
 a b c d

a	
Housing Color	
Code	Description
B	Black
G	Gray

b	
Voltage	
Code	Description
12	12V AC/DC
24	24V AC/DC
10	120V AC
20	240V AC

c	
Combined Module Type ⁽¹⁾	
Code	Description
DC	Steady incandescent with sound
DD	Two-circuit steady incandescent with sound
FC	Flashing incandescent with sound
TC	Steady LED with sound
GC	Flashing LED with sound
BC	Strobe with sound

d	
Lens Color	
Code	Description
3	Green
4	Red
5	Amber
6	Blue
7	Clear
8	Yellow

- (1) The single-circuit combined light/with sound module uses one circuit in a stack. It can be used with a maximum of four light modules and must be placed in the top position of a stack. The two-circuit combined light/with sound module uses two circuits in a stack. It can be used with a maximum of three light modules and must be placed in the top position of a stack.

Transducer-style Sound Modules

- UL Type 12, IP54
- Up to 15 tones
- Adjustable volume from 85...103 dB at 1 m (3.3 ft)
- Adjustable frequency and speed tone



855T - B 10 SA1
abc

a	
Housing Color	
Code	Description
B	Black
G	Gray

b	
Voltage	
Code	Description
12	12V AC/DC
24	24V AC/DC
10	120V AC
20	240V AC

c	
Module Type	
Code	Description
SA1	Single-tone sound module with 13 different tones ⁽¹⁾
TA1	Dual-tone sound module with 15 sets of dual-tone combinations ⁽²⁾

(1) Module Type Code SA1 uses one circuit in a stack. It can be used with maximum of any four light modules and must be placed on top of stack.
 (2) Module Type Code TA1 uses two circuits in a stack. It can be used with a maximum of any three light modules and must be placed on top of stack.

Piezo-style Sound Modules

- Single- or dual-circuit versions
- High/low volume selectable via DIP switch

855T - B 24 TA3
abc

a	
Housing Color	
Code	Description
B	Black
G	Gray

b	
Voltage	
Code	Description
12	12V AC/DC
24	24V AC/DC
10	120V AC
20	240V AC

c	
Module Type	
Code	Description
SA2	Single-tone/single-circuit piezo-style module with continuous or pulsing tones (modified by a DIP switch) Type 12 Volume 97 dB or 85 dB at 1 m (3.3 ft)
TA2	Dual-tone/dual-circuit piezo-style module with continuous or pulsing tone (modified by energizing one or two circuits of sound modules) Type 12 Volume 97 dB or 85 dB at 1 m (3.3 ft)
SA3	Single-circuit piezo-style module with continuous or pulsing tones (modified by a DIP switch) Type 4/4X/13 Volume 107 dB or 92 dB at 1 m (3.3 ft)
TA3	Dual-circuit piezo-style module with continuous or pulsing tone (modified by energizing one or two circuits of sound modules) Type 4/4X/13 Volume 107 dB or 92 dB at 1 m (3.3 ft)

Standard and DeviceNet Stack Light Bases



855T - **DL1** **B** **PM10** **C**
 a b c c

a	
Network Connection Type	
Code	Description
Blank	No network connection
DM1	DeviceNet® micro-connect with 1 m (3.3 ft) cable ⁽¹⁾
DS2	DeviceNet stranded wire connect with 2 m (6.6 ft) cable ⁽¹⁾
DL1	DeviceNet mini-connect with 1 m (3.3 ft) cable ⁽¹⁾

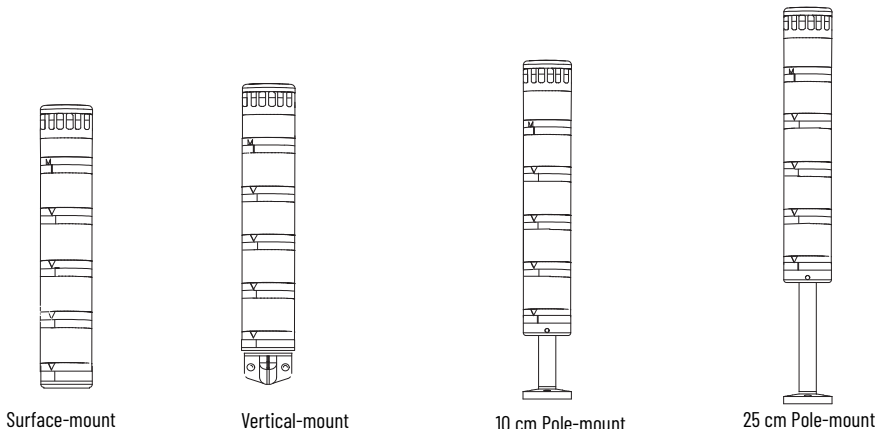
b	
Housing Color	
Code	Description
B	Black
G	Gray

c	
Base Type	
Code	Description
CB	Surface-mount – 1/2 in. NPT conduit mount
SB	Surface-mount – PG16 conduit mount
RB	Surface-mount – M20 x 1.5 conduit mount
VM	Vertical mount
TM	25 mm diameter tube mount
PM10	10 cm (3.9 in.) aluminum pole-mount base
PM25	25 cm (9.8 in.) aluminum pole-mount base
PM40	40 cm (15.7 in.) aluminum pole-mount base
SPM10	10 cm (3.9 in.) stainless steel pole-mount ⁽²⁾
SPM25	25 cm (9.8 in.) stainless steel pole-mount ⁽²⁾
SPM40	40 cm (15.7 in.) stainless steel pole-mount ⁽²⁾
SPM60	60 cm (23.6 in.) stainless steel pole-mount ⁽²⁾
SPM80	80 cm (31.5 in.) stainless steel pole-mount ⁽²⁾
MM10	10 cm (3.9 in.) quick-release base
MM25	25 cm (9.8 in.) quick-release base
MM40	40 cm (15.7 in.) quick-release base

d	
Cap Option	
Code	Description
Blank	No cap
C	Cap included

(1) Network Connection Type Code DL1, DM1, and DS2 can only be used with 24V AC/DC. Network Connection Type Code DL1, DM1, and DS2 are only available with Base Type Code CB, SB, VM, TM, PM10, and PM25.
 (2) the stainless steel tube is powder-coated in black.

Pre-configured Control Tower Lights, 1...5 Modules



855 **TS** **-** **DL1** **B** **24** **Y** **4** **L** **5** **B** **3** **F** **7** **Y** **6**

a b c d e f e f e f e f e f

(Level 1, e+f) (Level 2, e+f) (Level 3, e+f) (Level 4, e+f) (Level 5, e+f)

a	
Base Type	
Code	Description
TC	Surface-mount 1/2 in. NPT conduit
TS	Surface-mount PG16 conduit
TV	Vertical mount
TP	10 cm (3.9 in.) pole-mount
TE	25 cm (9.8 in.) pole-mount
TM	25 mm diameter tube-mount

b	
Network Communication Type ⁽¹⁾	
Code	Description
Blank	Standard
DL1	DeviceNet mini-connect with 1 m (3.3 ft) cable
DM1	DeviceNet micro-connect with 1 m (3.3 ft) cable
DS2	DeviceNet stranded wire connect with 2 m (6.6 ft) cable

c	
Housing Color	
Code	Description
B	Black
G	Gray

d	
Voltage	
Code	Description
12	12V AC/DC
24	24V AC/DC
10	120V AC
20	240V AC

e	
Module Type	
Code	Description
D	Steady incandescent
F	Flashing incandescent
Y	Steady LED
L	Flashing LED
B	Strobe
T	Steady incandescent with sound ⁽²⁾
H	Flashing incandescent with sound ⁽¹⁾
J	Dual-circuit steady incandescent with sound
E	Steady LED with sound ⁽¹⁾
G	Flashing LED with sound ⁽¹⁾
Z	Strobe with sound ⁽¹⁾
A	Transducer single-circuit sounder UL Type 12, IP54 ⁽¹⁾
W	Transducer dual-circuit sounder UL Type 12, IP54 ⁽¹⁾
P	Single-circuit piezo alarm
Q	Dual-circuit piezo alarm

f	
Lens Color/Sound	
Code	Description
1	Sound module ⁽³⁾
3	Green
4	Red
5	Amber
6	Blue
7	Clear
8	Yellow

- (1) Network Connection Type Code DL1, DM1, or DS2 can only be used with Voltage Code 24, 24V AC/DC.
- (2) Only one sound module or one light module/with sound can be assembled per stack. These modules must be placed in the top position.
- (3) Lens Color/Sound Code 1 (Table f) can only be selected with single-tone or two-tone module types (Table e).

Accessories

See [Accessories on page 71](#).

Specifications

IMPORTANT Based on the weight and style and mounting, tower lights are subject to damage from shock vibration. The following specifications are reference guidelines for maximum acceptable conditions.

Table 84 - Mechanical

Attribute		Shock	Vibration
Standard bases	Surface-mount base or 10 cm (3.9 in.) aluminum pole base	1 module stack	150 G
		3 module stack	45 G
		5 module stack	35 G
	Vertical base or 25 cm (9.8 in.) aluminum pole base	1 module stack	95 G
		3 module stack	30 G
		5 module stack	20 G
DeviceNet bases	Surface-mount base or 10 cm (3.9 in.) aluminum pole base	1 module stack	50 G
		3 module stack	45 G
		5 module stack	35 G
	Vertical base or 25 cm (9.8 in.) aluminum pole base	1 module stack	50 G
		3 module stack	30 G
		5 module stack	20 G
Recommended wire size		0.5...2.5 mm ² (22...14 AWG)	
Recommended terminal torque		0.8 N•m (7 lb•in)	

Table 85 - Environment

Attribute	Value	
Ingress ratings	Light modules with cap and combined light/sound modules	UL Type 4/4X/13, IP65
	Sound modules (SA1, SA2, TA1, TA2)	UL Type 12, IP54
	Sound modules (SA3, TA3)	UL Type 4/4X/13, IP65
	Surface, vertical, tube mount, and On-Machine™ bases	UL Type 4/4X/13, IP65
	Pole-mount bases (aluminum)	UL Type 4/13, IP65
	Pole-mount bases (stainless steel)	UL Type 4/4X/13, IP65
Temperature ranges	Operating	-25...+70 °C (-13...+158 °F)
	Storage	-40...+85 °C (-40...+185 °F)

Table 86 - Materials

Part	Material
Bases, caps, lens covers, sound module housings, lenses, lamp sockets	Polycarbonate
Rubber seals and gaskets	Nitrile rubber
Pole (for aluminum pole assembly)	Aluminum
Pole base footing (for aluminum pole base)	Polycarbonate
Pole (for stainless steel assembly)	Powder-coated stainless steel
Pole base footing (for stainless steel pole base)	Zinc
Insulation sleeve (for pole insulation)	Polyolefin
Surface and vertical-mount pole connection box and magnetic mount housing	Polycarbonate
Mounting screw washers	Polypropylene
DeviceNet base grommet	Neoprene®
DeviceNet cable jackets	CPE (Chlorinated Polyethylene)
DeviceNet cable connectors	Santoprene®

Table 87 - Light Output

Device		Light Output			
		12V AC/DC	24V AC/DC	120V ACC	240V AC
Steady incandescent		0.5 MSCP	2.5 MSCP	3.0 MSCP	0.49 MSCP
Flashing incandescent		6.3 Lumens	31.4 Lumens	37.7 Lumens	6.2 Lumens
Strobe		3 J per lamp			
Steady/flashing socket mount LED	Red	900...2240 mcd			
	Green	900...1800 mcd			
	Amber	1400...3550 mcd			
	Blue	224...560 mcd			
	White and yellow	900...1800 mcd			

Table 88 - Operating Voltage

Device	Operating Voltage			
	12V AC/DC	24V AC/DC	120V AC	240V AC
Light modules and sound modules	12V AC/DC (±10%)	24V AC/DC (±10%)	110V AC, 50 Hz (±10%) 120V AC, 60 Hz (±10%)	230V AC, 50 Hz (±10%) 240V AC, 60 Hz (±10%)

Table 89 - Lamp Life Ratings (Design Life) Average Life Under Static, No Vibration, Conditions

Device	Lamp Life Rating			
	12V AC/DC	24V AC/DC	120V AC	240V AC
Incandescent modules ⁽¹⁾	8000 hr	7000 hr	3000 hr	1600 hr
LED modules	100,000 hr			
Strobe modules	15,000 hr			
Sound modules	20,000 hr			

(1) First failures occur at about 35% of average life. Severe vibration can reduce life to 44% of average life. Flashing applications can reduce life to 50% of average life.

Table 90 - Current Consumption

Device		Current Consumption [mA]			
		12V AC/DC	24V AC/DC	120V AC	240V AC
Light only modules	Steady incandescent	208	271	58	23
	Steady or flashing LED	42	29	21	20
	Strobe	240	170	50	35
Light modules with sound	Steady incandescent/with sound	218	281	78	43
	Flashing incandescent/with sound	218	281	78	43
	Steady or flashing LED/with sound (red, amber, yellow)	100	62	22.5	20
	Steady or flashing LED/with sound (green, blue, white)	250	180	70	55
	Strobe/with sound	250	180	70	55
Transducer-style sound modules	Single- and two-circuit modules	30	65	110V/50 Hz 120V/60 Hz 60 mA	230V/50 Hz 240V/60 Hz 60 mA
Piezo style sound modules	Single- and two-circuit modules	27	45	43	40
DeviceNet bases		—	70	—	—

Table 91 - Flashing and Tone Frequency

Attribute	Value
Flashing Frequency (Light Only Modules)	
Flashing incandescent modules	12V module approximately 1.5 Hz 24V, 120V, and 240V modules approximately 2 Hz Time ON/Time OFF = 1:1
Flashing LED modules	Approximately 1.5 Hz; Time On/Time OFF = 1:1
Strobe modules	Approximately 2 Hz (flash duration 1/50,000 second)
Flashing and Tone Frequency (Light Modules/with Sound Set at Continuous Tone)	
Tone frequency	Preset at 2400 Hz or 3300 Hz
Flashing incandescent/ with sound	12V module approximately 1.5 Hz 24V, 120V, and 240V modules approximately 1.6 Hz
Flashing LED/ with sound	Flashing frequency approximately 1.5 Hz
Strobe/with sound	Flashing frequency approximately 1.4 Hz
Flashing and Tone Pulsing Frequencies (Light Modules/with Sound Set at Pulsing Tone)	
Tone frequency	Preset at 2400 Hz or 3300 Hz
Steady incandescent/ with sound	Sound pulsing frequency – 1.5 Hz
Flashing incandescent/ with sound	Flashing and Pulsing Frequency the same for 12V module approximately 1.5 Hz, for 24V, 120V, and 240V modules approximately 1.6 Hz
Steady LED/ with sound	Sound pulsing frequency – 1.5 Hz
Flashing LED/ with sound	Flashing and pulsing frequency the same at 1.5 Hz
Strobe/with sound	Flashing and pulsing frequency the same at 1.4 Hz

Table 92 - Decibel Rating (Sound Modules)

Device	Decibel Rating ⁽¹⁾
Selectable tone sound module (SA1, TA1)	Maximum volume ranges from 64...103 dbA (volume adjustable) Based on tone that is selected for all settings except signal horn, which has a maximum of 80 dbA
Piezo sound module (SA2, TA2)	High 97 dB/Low 85 dB, selectable via DIP switch
Piezo sound module (SA3, TA3)	High 107 dB/Low 95 dB, selectable via DIP switch
Piezo light modules and light modules with sound (set at continuous or pulsing tone)	High 107 dB/Low 95 dB, selectable via DIP switch

(1) All dbA ratings are determined at a distance of 1 m (3.3 ft) from sound module.

Table 93 - Leakage Current Impact

All light modules, sound modules, and light/sound modules can absorb up to 3 mA of leakage current from solid-state outputs without module activation. Some light and light modules with sound may not turn off completely when connected to solid-state outputs that emit leakage current. The following modules can be affected by an output module emitting a maximum of 3 mA. A dry contact can be used to reduce the effect of leakage current.

12V AC/DC, 24V AC/DC, 120V AC, 240V AC	All light/sound combination modules
--	-------------------------------------

Table 94 - DeviceNet Bases

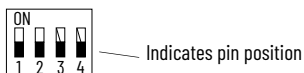
Attribute	Value
Communication rate options	125K, 250K, 500K, Autobaud

Table 95 - Standards and Certifications ⁽¹⁾

Standards Compliance	Certifications
<ul style="list-style-type: none"> • UL 508 • CSA C22.2 No. 14 • EN/IEC 60947-1 • EN/IEC 60947-5-1 	<ul style="list-style-type: none"> • cULus Listed (File No. E14840, Guides NKCR, NKCR7) • CE Marked

(1) For the most current certification information, use "855T" as the search criteria from rok.auto/certifications.

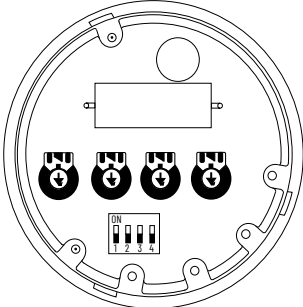








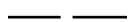


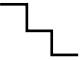



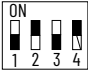




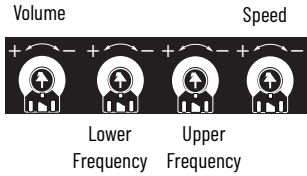
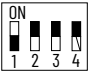

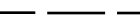



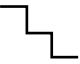






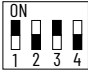
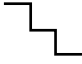







Sound Settings



Transducer Style Single-circuit Sound Module (SA1)

Sound Settings	Pin Position on DIP Switch	Tone Description	Speed [Hz]	Upper Frequency [Hz]	Lower Frequency [Hz]	Volume [dBa]	
Adjustable Sound Settings							
		Triangle tone		7...22	1500	500	80...100
		Continuous tone		—	Set to Maximum (+)	500	83...100
		Interrupted tone		0.5...1.5	Set to Maximum (+)	500...1500	83...103
		Changing tone		0.5...1.5	500...1500	500...1500	83...103
		Saw tooth tone ascending		0.5...1.5	500...1500	500...1500	83...103
		Saw tooth tone descending		0.5...1.5	500...1500	500...1500	83...103
Rotated View of Sound Settings							
		Sine wave tone		0.5...1.5	500...1500	500...1500	82...102
		DIN-emergency signal	DIN 33404	1	1200	500	82...102
		Siren (non-repeating)		2...4 s	1500	500	83...103
		Signal horn continuous tone		—	Set to Maximum (+)	100...350	64...80
		Three-tone gong		2...4 s	660 550 440	660 550 440	76...95
		Two-tone gong		2...4 s	550 440	550 440	75...93
		Gong		1...3 s	Set to Maximum (+)	500...1500	75...93

Transducer Style Dual-circuit Sound Module (TA1)

Sound Settings	Pin Position on DIP Switch	Tone A	Tone B		
Adjustable Sound Settings					
		Triangle tone		Continuous tone	
		Continuous tone		Changing tone	
		Continuous tone		Interrupted tone	
		Interrupted tone		Three-tone gong	
		Interrupted tone		Siren (non-repeating)	
		Changing tone		DIN-emergency signal	DIN 33404
		Saw tooth tone ascending		Continuous tone	
Rotated View of Sound Settings					
		Saw tooth tone descending		Interrupted tone	
		Sine-wave tone		DIN-emergency signal	DIN 33404
		DIN-emergency signal	DIN 33404	Three-tone gong	
		Siren (non-repeating)		Triangle tone	
		Signal horn continuous tone		Continuous tone	
		Three-tone gong		Sine-wave tone	
		Two-tone gong		Two-tone gong (non-repeating)	
		Gong		Continuous tone	

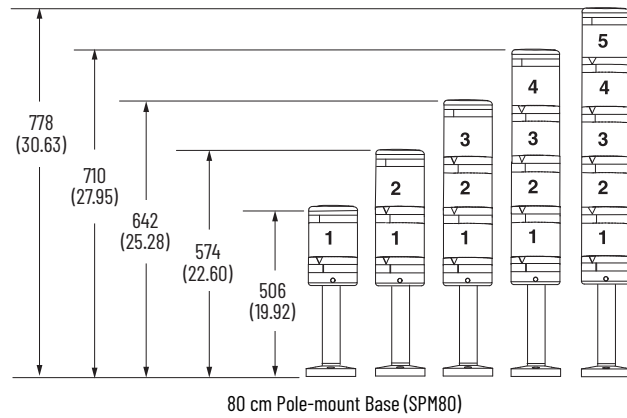
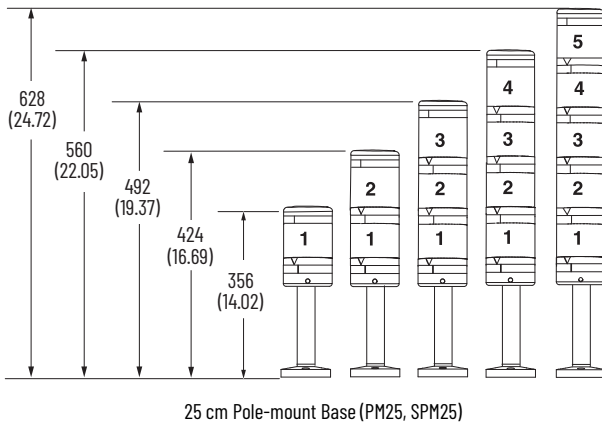
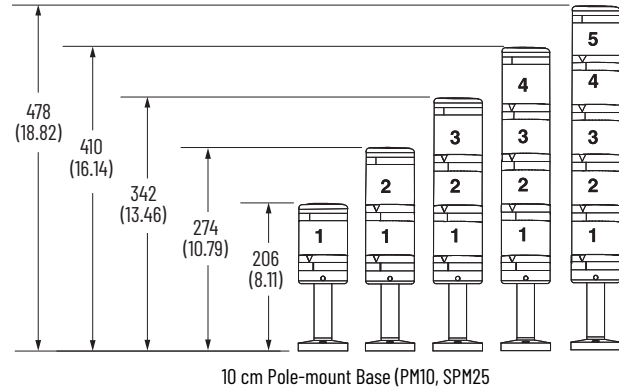
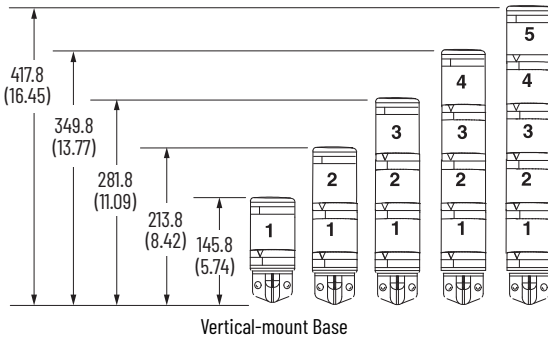
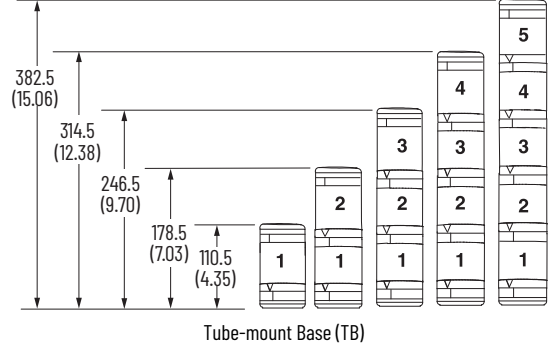
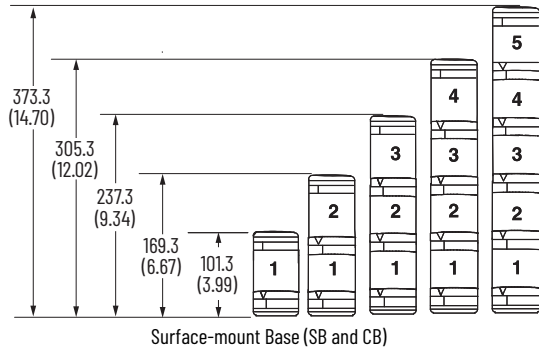
Approximate Dimensions

Dimensions are in millimeters (inches). Dimensions are not intended to be used for manufacturing purposes.








For assembled Control Tower lights: If a combined light/sound module is used, add 21.5 mm (0.8 in.) to vertical dimensions.

Assembled Control Tower Lights – Light Modules Only or Light Modules with Sound Module on Top Position



Accessories

Description		Cat. No.		
	Incandescent lamps (BA15d Bayonet) 19 mm socket height	12V AC/DC	855T-L12	
		24V AC/DC	855T-L24	
		120V AC	855T-L10	
		240V AC	855T-L20	
	LED lamps For socket-mounted modules For industrial use only	12V AC/DC	Red	855E-LL12R
			Green	855E-LL12G
			Amber	855E-LL12A
			Blue	855E-LL12B
			Yellow	855E-LL12Y
		White ⁽¹⁾	855E-LL12W	
		24V AC/DC	Red	855E-LL24R
			Green	855E-LL24G
			Amber	855E-LL24A
			Blue	855E-LL24B
			Yellow	855E-LL24Y
		White ⁽¹⁾	855E-LL24W	
		120V AC	Red	855E-LL10R
			Green	855E-LL10G
			Amber	855E-LL10A
			Blue	855E-LL10B
			Yellow	855E-LL10Y
		White ⁽¹⁾	855E-LL10W	
		240V AC	Red	855E-LL20R
			Green	855E-LL20G
Amber	855E-LL20A			
Blue	855E-LL20B			
Yellow	855E-LL20Y			
White ⁽¹⁾	855E-LL20W			
	Caps, top of stack The cap must be installed to the top of the uppermost light module No cap is needed if the top module is a sound module or a light/with sound module	Black	855E-ABCAP ⁽²⁾	
		Gray	855E-AGCAP ⁽²⁾	
		Black	855T-ABCAP ⁽³⁾	
		Gray	855T-AGCAP ⁽³⁾	
Module securing screws, bag of 5		855E-ASC ⁽²⁾		
	Vertical-mount kit ⁽⁴⁾ Kit includes vertical bracket and set of three sealing washers For use with Bulletin 855E Base Type Code CB, RB, or SB	855E-AVM		
	Vertical-mount kit ⁽⁴⁾ Kit includes vertical bracket and set of three sealing washers For use with Bulletin 855E Base Type Code PM10, P25, P40, P60, and P80 pole-mount bases,	855T-AVM		







(1) White LED lamps must be used with Bulletin 855E Lens Color 7 (clear) or 9 (magenta) or Bulletin 855T Lens Color 7 (clear) only.

(2) For use with Bulletin 855E Control Tower stack lights only.

(3) For use with Bulletin 855T Control Tower stack lights only.







(4) See [Approximate Dimensions on page 70](#) for vertical-mount kits dimensions.

Table 96 - Replacement Parts

		Description	Cat. No.
O-ring seals		Lens o-ring seal package quantity of 5	855E-ALSG ⁽¹⁾
		Replacement rubber o-rings are to be installed between all bases, light, sound, and light/with sound modules	855T-ALSG ⁽²⁾
Gaskets		Surface-mount gasket package quantity of 5	855E-ASFG ⁽³⁾
		Replacement flat gasket must be placed between the mounting surface and the surface mount base	855T-ASFG ⁽⁴⁾
		Pole foot gasket must order multiples of 5	855T-APFG ⁽⁵⁾
		Replacement flat gasket is to be placed between the mounting surface and the pole base bottom foot	
	Vertical-mount gasket package quantity of 5	855T-AVFG	
	Replacement flat gasket is to be placed between the mounting surface and the vertical mount base		
	Tube-mount gasket For Bulletin 855E Base Type Code TM package quantity of 5	855T-AVTG	
	Replacement o-ring gasket is to be placed in the tube mount pole opening before the tube is installed		
Washer kit		Mounting screw washer kit package quantity of 20 Replacement flat washers are used to provide a seal where the mounting screw meets the pole base	855T-AMSG

- (1) For use with Bulletin 855E Control Tower stack lights only as listed in [Light Modules on page 55](#).
- (2) For use with Bulletin 855T Control Tower stack lights only as listed in [Light Modules on page 61](#).
- (3) For use with Bulletin 855E Control Tower stack lights with Base Type Code CB, RB, or SB, RB only as listed in [Standard Stack Light Bases on page 56](#).
- (4) For use with Bulletin 855T Control Tower stack lights with Housing Color B with Base Type Code CB or SB only as listed in [Standard and DeviceNet Stack Light Bases on page 63](#).
- (5) For use with Cat. No. 855T-BPM10C and 855T-BPM25C pole bases, Cat. No. 854J-BSFC and 854J-BSFQD5C bases, and Bulletin 855T, 855E, 855F, 855D, 854J, and 854K quick-release bases.

Table 97 - Connection Accessories

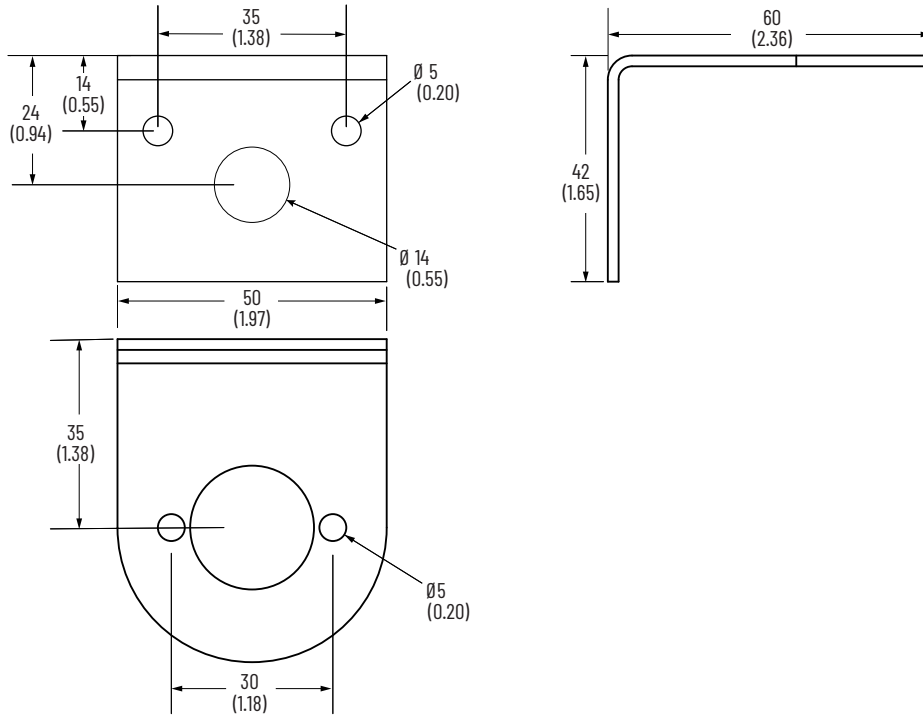
		Description	Cat. No.
	Pole connection boxes, ⁽¹⁾ black	Surface-mount	With PG16 threaded side entrance 855T-BSMP
		Surface-mount	With M20 threaded side entrance 855T-BSMR
	Pole connection boxes, ⁽¹⁾ black	Vertical-mount	With PG16 threaded side entrance 855T-BVMP
		Vertical-mount	With M20 threaded side entrance 855T-BVMR
	Pole connection boxes, ⁽¹⁾ black	Magnetic-mount	With PG16 threaded side entrance 855T-BMMP
			With M20 threaded side entrance 855T-BMMR
			With 1/2 in. NPT threaded side entrance 855T-BMMN
M5 x 40 screws for mounting the pole-mount base to the pole connection box			855T-AJBS
	Threaded hole plug, black	PG16 thread	855T-ABUP
		M20 thread	855T-ABUR
	Threaded cable gland, black	PG16 thread	855T-ABCP
		M20 thread	855T-ABCR
	Sealing connector, black	1/2 in. NPT	855T-ABHN

- (1) Pole connection boxes are for use only with the following pole-mount bases:
For Bulletin 855E: Only for use with Base Type Code PM10, PM25, PM40, PM60, and PM80 pole-mount bases only.
For Bulletin 855T: Only for use with Base Type Code PM10, PM25, and PM40 pole-mount bases only.

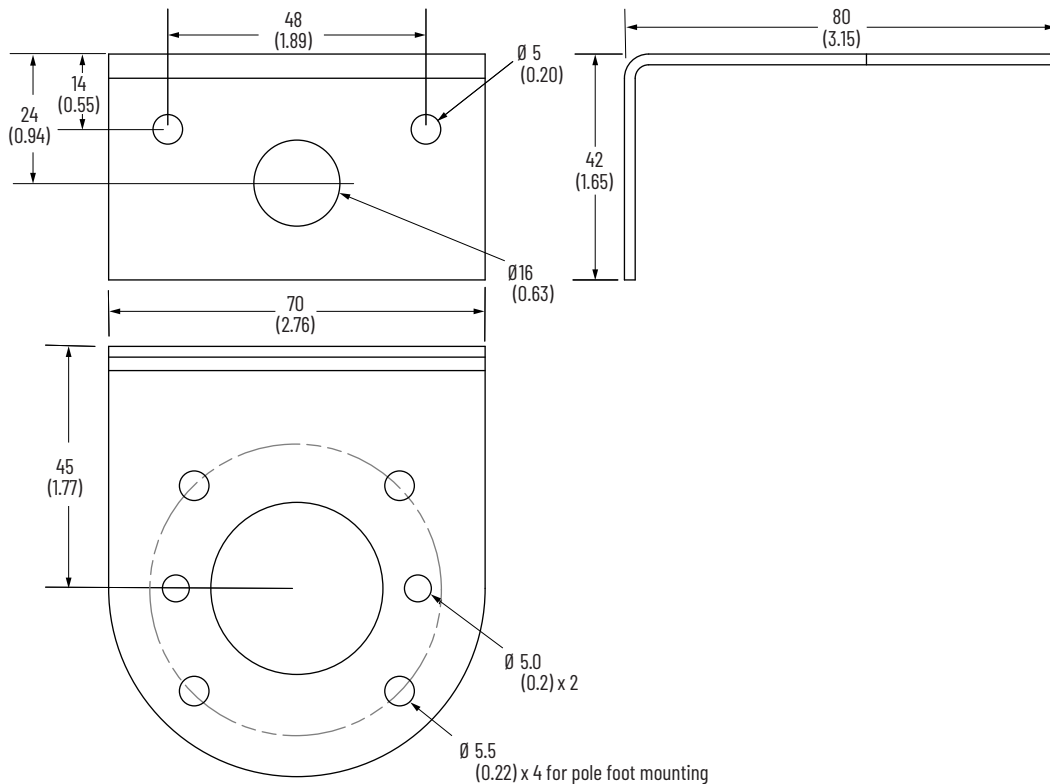
Approximate Dimensions

Dimensions are in millimeters (inches). Dimensions are not intended to be used for manufacturing purposes.

Mounting Kit Dimensions

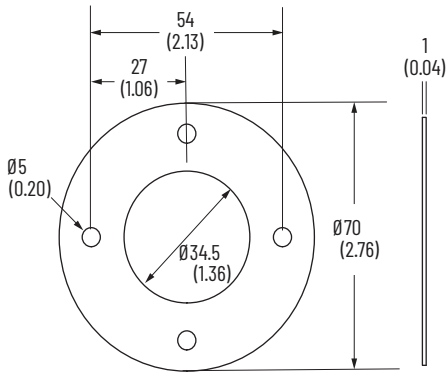


Vertical-mount Bracket Cat. No. 855E-AVM

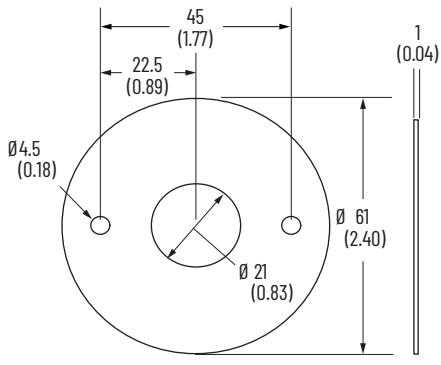


Vertical-mount Bracket Cat. No. 855T-AVM

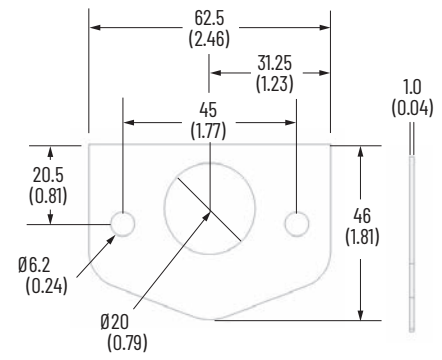
Component and Accessory Dimensions



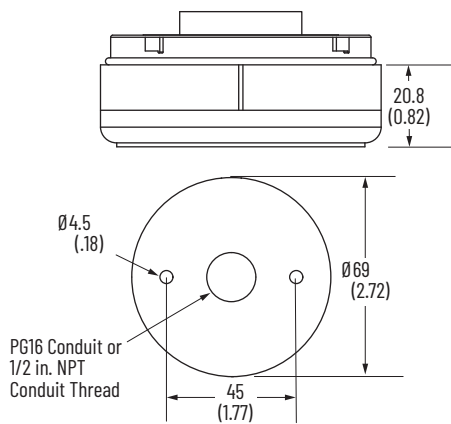
Pole-mount Gasket



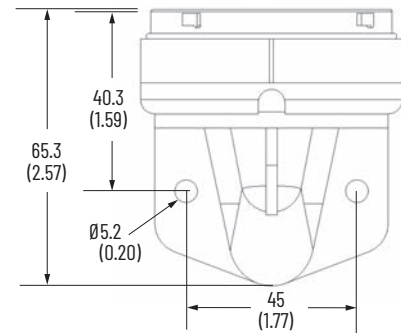
Surface-mount Gasket



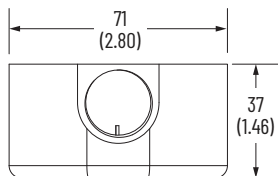
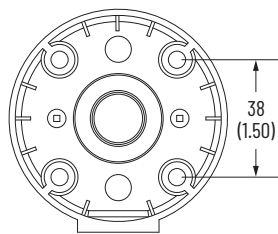
Vertical-mount Gasket



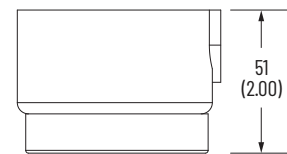
Surface-mount Base 855T-BSB or 855T-BCB



Vertical-mount Base

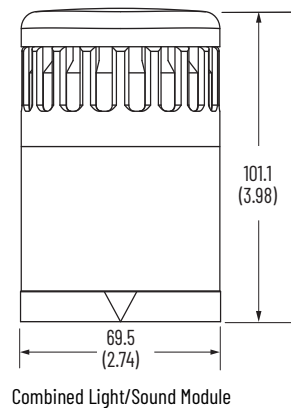
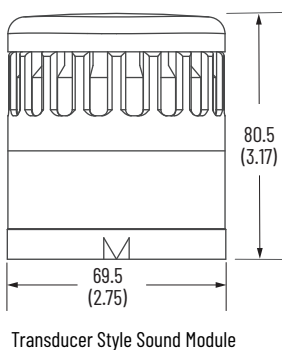
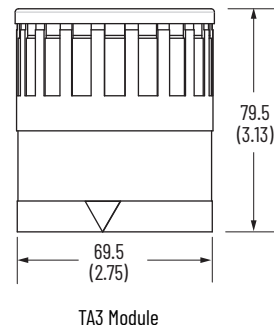
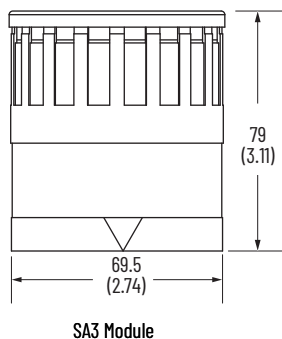
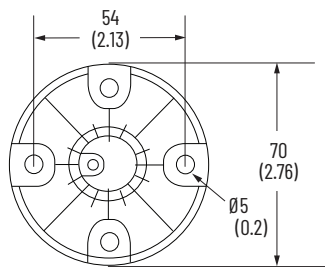
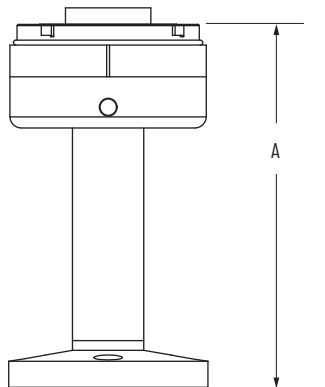
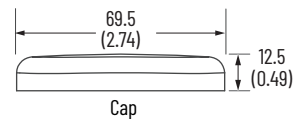
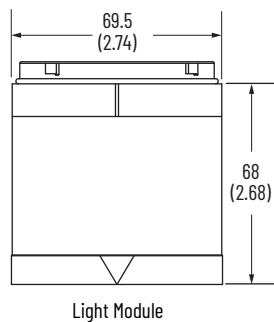


Standard Pole Connection Box



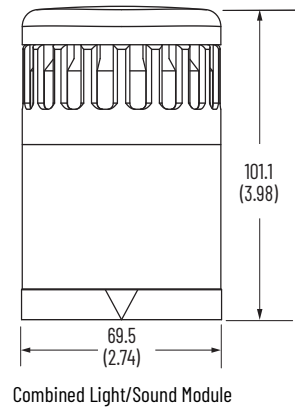
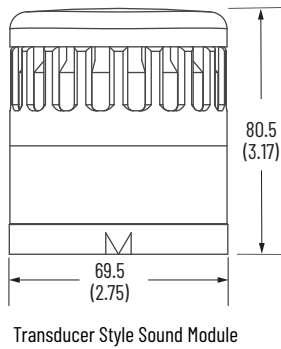
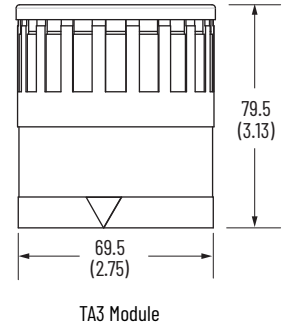
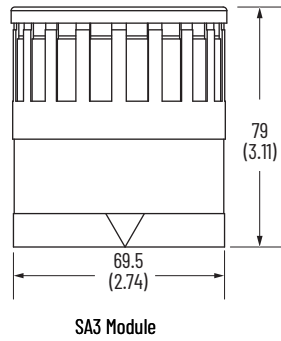
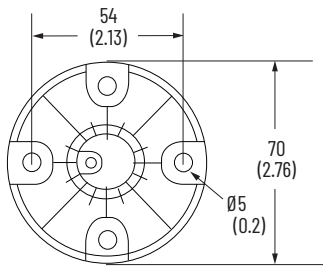
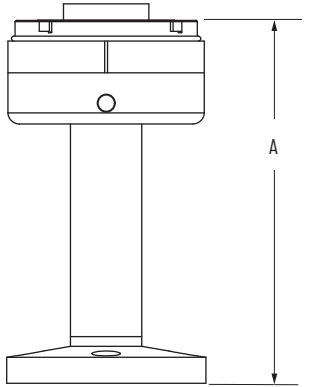
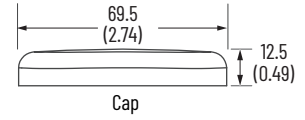
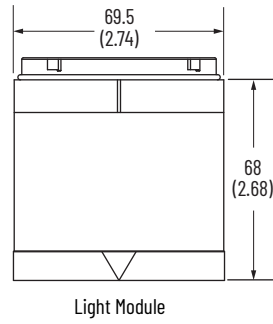
Magnetic Pole Box

Component and Accessory Dimensions



Height	Pole-mount Base Size				
	10	25	40	60	80
A	124.5 (4.90)	274.5 (10.80)	424.5 (16.70)	624.5 (24.60)	824.5 (32.50)

Component and Accessory Dimensions



Height	Pole-mount Base Size				
	10	25	40	60	80
A	124.5 (4.90)	274.5 (10.80)	424.5 (16.70)	624.5 (24.60)	824.5 (32.50)

Bulletin 856T Control Tower Stack Lights, 70 mm

These devices give you the flexibility to meet the widest range of applications with a reduced number of components. This system uses a modular design that incorporates brighter LED illumination and a broad offering of sound technologies. All signals in the system are 24V AC/DC powered, which means that just three power modules can cover the entire system. They can be purchased as separate components or as a pre-configured, factory-assembled stack light for optimal flexibility.

70 mm Light Modules



Steady LED Module



Multi-function LED Module



Steady/Flashing Beacon Style

856T - $\frac{B}{a}$ $\frac{T}{b}$ $\frac{4}{c}$

a	
Housing Color	
Code	Description
B	Black

b	
Module Type	
Code	Description
T	Steady LED
B	Multi-function LED steady/flashing/strobe 1/strobe 2
R	Rotating LED
MC	7-color LED (RGB) ⁽¹⁾⁽²⁾
GB	Steady/flashing, non-stackable beacon style
SB	Strobe 1/strobe 2, non-stackable beacon style ⁽³⁾
RB	Rotating LED, non-stackable beacon style ⁽⁴⁾
MB	7-color LED (RGB), non-stackable beacon style ⁽¹⁾⁽²⁾

c	
Output Color	
Code	Description
3	Green
4	Red
5	Amber
6	Blue
7	Clear
8	Yellow
9	Magenta ⁽⁵⁾
Blank	For use with Module Type MC and MB only

- (1) The Output Color Code Blank must be used with this Module Type Code.
- (2) For this Module Type Code, three circuits can be used to display up to seven colors, two circuits to display three colors, or one circuit to display one color.
- (3) Module Type Code SB can only be used with Output Color Code 4, 5, or 6 (Table c).
- (4) Module Type Code RB can only be used with Output Color Code 4 or 5 (Table c).
- (5) Output Color Code 9 cannot be used with Module Type Code R and GB (Table b).

Sound Modules



Top-mount Piezo Sounder



Transducer Sounder



In-line Piezo Sounder



Recordable Sounder

856T - $\frac{B}{a}$ $\frac{P1}{b}$

a	
Housing Color	
Code	Description
B	Black

b	
Module Type	
Code	Description
P1	Single-circuit piezo, eight tones, top mount
TR3	Transducer, 16 tone tables/seven tones per table, three circuits ⁽¹⁾
PL1	In-line piezo, single circuit, eight tones
H3	Recordable sounder, up to seven messages, three circuits ⁽²⁾

- (1) For Module Type Code TR3: three circuits can be used to play up to seven tones, two circuits to play three tones, or one circuit to play one tone.
- (2) For Module Type Code H3: Three circuits to play up to seven messages, two circuits to play three messages, or one circuit to play one message.

Power Modules



24V AC/DC, Seven Circuits



90...250V AC, Three Circuits



90...250V AC, Seven Circuits

856T - $\frac{B}{a}$ $\frac{24}{b}$ $\frac{C}{c}$

a	
Housing Color	
Code	Description
B	Black

b	
Voltage	
Code	Description
24	24V AC/DC, seven circuits
AC3	90...250V AC, three circuits
AC7	90...250V AC, seven circuits

c	
Cap Option	
Code	Description
C	Cap included

IO-link Module



856T - $\frac{B}{a}$ $\frac{24}{b}$ $\frac{LC}{c}$

a	
Housing Color	
Code	Description
B	Black

b	
Voltage	
Code	Description
24	24V DC

c	
Cap Option	
Code	Description
LC	Cap not included

Base Mounting Adapters



1/2 in. NPT Surface-mount



Surface-mount
with Pre-installed Mounting Hardware



Vertical-mount



Pole-mount



Thread Tube

$$856T - \frac{BMA}{a} \frac{P10}{b}$$

a	
Housing Color	
Code	Description
BMA	Black

b ⁽¹⁾	
Mounting Style	
Code	Description
SN	1/2 in. NPT surface-mount, Type 4/4X/13
VM	Vertical mount
SH	Surface-mount NPT, Type 4/4X/13, pre-installed mounting hardware
P10	10 cm (3.9 in.) aluminum pole-mount
P25	25 cm (9.8 in.) aluminum pole-mount
P40	40 cm (15.7 in.) aluminum pole-mount
P60	60 cm (23.6 in.) aluminum pole-mount
T10	10 cm (3.9 in.) threaded tube (M20)
T25	25 cm (9.8 in.) threaded tube (M20)

(1) A drilling template, publication [856T-IN003](#), is available for the following mounting styles: surface-mount with screws, vertical mount, and pole-mount.

Pre-assembled Bases



Surface-mount
with M12 Micro-connector (5-pin)



Surface-mount
with M12 Micro-connector (8-pin)



Surface-mount
for 24V AC/DC (seven circuits)



Vertical-mount



Quick-release



10 cm Aluminum Pole-mount

856T -
 a b c d e

a	
Network Option	
Code	Description
Blank	No network option

b	
Housing Color	
Code	Description
B	Black








c	
Voltage	
Code	Description
24	24V AC/DC, seven circuits
A3	90...250V AC, three circuits
A7	90...250V AC, seven circuits

d	
Mounting Style	
Code	Description
SN	1/2 in. NPT surface mount
VM	Vertical mount
SH	Surface mount, pre-installed mounting hardware
P10	10 cm (3.9 in.) aluminum pole-mount
P25	25 cm (9.8 in.) aluminum pole-mount
P40	40 cm (15.7 in.) aluminum pole-mount
P60	60 cm (23.6 in.) aluminum pole-mount
T10	10 cm (3.9 in.) threaded tube (M20)
T25	25 cm (9.8 in.) threaded tube (M20)
Q10	10 cm (3.9 in.) quick-release ⁽¹⁾
Q25	25 cm (9.8 in.) quick-release ⁽¹⁾
QD5	5-pin M12 connector, M30 mounting thread ⁽¹⁾
QD8	8-pin M12 connector, M30 mounting thread ⁽¹⁾

e	
Cap Option	
Code	Description
C	Cap included

(1) for this Mounting Style Code, only Voltage Code 24 (Table c) can only be selected.

Accessories

Description		Cat. No.
	Replacement o-ring For lenses and bases Bag of 1	856T-ARNG
	Replacement flat gasket For surface-mount bases, Mounting Base Code SN and SH Bag of 1	856T-ASFG
	Replacement vertical mount gasket Bag of 1	856T-AVFG
	Light cap, black For use with 856T 70 mm light modules	856T-ABCAP
	Transition module For mounting Bulletin 856T modules on existing Bulletin 855T DeviceNet® bases (five circuits, maximum)	856T-ATM
	Diffuser kit ⁽¹⁾ For use with Bulletin 856T-BT, 856T-BB, 856T-BR, and 856T-BMC 70 mm light modules	856T-ADK
	Vertical mount kit For use with 856T and 855E pole mount bases, 856T surface mount bases, and 856T M12 QD bases Kit includes vertical bracket and set of three sealing washers	855T-AVM
	M5 x 50 mm mounting screws For mounting Bulletin 856T pole foot base to Bulletin 855T pole connection box Bag of 4	856T-AJBS

(1) See publication [855T-IN010](#) for installation instructions.

Specifications

Table 98 - Shock and Vibration ⁽¹⁾

Attribute		Based on the weight and style of mounting; Control Tower lights are subject to damage from shock and vibration. The following are reference guidelines for maximum acceptable conditions.			
		Control Tower Stack Lights		IO-Link Module	
		Shock	Vibration	Shock	Vibration
Surface mount base	24V and AC three-circuit	50 peak G	3 peak G	20 ⁽²⁾ peak G	3 ⁽²⁾ peak G
	AC seven-circuit	25 peak G	3 peak G	—	—
Vertical mount base		50 peak G	3 peak G	50 peak G	3 peak G
Pole/tube base	10 cm	50 peak G	3 peak G	50 peak G	3 peak G
	25 cm	50 peak G	3 peak G	50 peak G	3 peak G
Pole base	40 cm	50 peak G	3 peak G	50 peak G	3 peak G
	60 cm	50 peak G	3 peak G	50 peak G	3 peak G
QR base		50 peak G	3 peak G	—	—
QD base		50 peak G	3 peak G	—	—
Recommended wire size		24...14 AWG (UL)/0.2...1.5 mm ² (IEC) (push-in type terminal block)			

(1) For the IO-link module (catalog number 856T-B24LC), vibration is according to EN 60068-2-6, EN60721-3-2 Class 2M2 and shock is according to EN60068-2-27.

(2) These values are for a surface mount base with seven modules stacked. If only five modules are stacked, shock, peak = 30 G and vibration, peak = 3 G.

Table 99 - Environment

Attribute		Control Tower Stack Lights and IO-link Module
Ingress ratings		UL Type 4/4X/ 13, IP66/67 ⁽¹⁾ Suitable for indoor and outdoor use
Temperature ranges	Operating	-30...+70 °C (-22...+158 °F) ⁽²⁾
	Storage	-30...+85 °C (-22...+185 °F)
Relative humidity		90% noncondensing

(1) Quick-release bases are IP66.

(2) The operating temperature range for M12 connector bases is -30...+45 °C (-22...+113 °F).

Table 100 - Materials

Device	Part	Material ⁽¹⁾
Control Tower stack lights	Bases, cap, sound module housing, lens, pole foot, diffuser	Polycarbonate
	Threaded tube/pole bases	Aluminum with clear powder coat
	Gaskets and o-rings	Nitrile rubber
	Mounting screw washers	Polypropylene
IO-link module	Housing and cover	Polycarbonate
	M12 connector	Nylon
	Connector o-rings	Silicone ⁽²⁾
	IO-Link module o-ring	Nitrile rubber

(1) RoHS compliant.

(2) The o-ring was tested to be well below 1% by weight when tested according to GMW17224 (Test for Volatiles in Silicone Rubber).

Table 101 - Decibel Rating (Sound Modules)

Device	Decibel Rating ⁽¹⁾	Volume Control	Number of Tones/Messages
856T-BP1, piezo, top mount	105 dbA, maximum	Adjustable -20 dB	8
856T-BTR3, transducer	Rated: 105 dbA (107 dbA, maximum at 2700 Hz)	Adjustable -10 dB (also three adjustment pots for tone customization)	80 tones, seven stages configured via DIP switch and three inputs
856T-BPL1, piezo, in-line	102 dbA, maximum	Adjustable -20 dB	8
856T-BH3, recordable	Voice: 90 dbA, maximum Tone: 95 dbA	Adjustable -10 dB	Plays up to seven user-recorded voice messages

(1) All dbA ratings are determined at a distance of 1 m (3.3 ft) from sound module.

Table 102 - IO-Link Module 854T-B24LC Specifications

Attribute	Value	
Status indicator	Bi-color (red/green) LED	
Communication rate	COM3 (230.4 kBd)	
IO-link cycle time, minimum	2 ms	
Process data	Input bit length	48 bits (6 bytes)
	Output bit length	56 bits (7 bytes)
IO-link standard (version)	1.1.2	
M12 connector	5-pin, Class B	
MTTF	41,600 hr	

Table 103 - Operating Voltage ⁽¹⁾

Device	Operating Voltage	
	Nominal Voltage	Voltage Range
All modules	24V AC/DC, 50/60 Hz	21...30V DC/ 21.6...26.4V AC
856T-B24C		
856T-BAC3C, three-circuit SMPS	120/240V AC	90...250V AC, 50/60 Hz
856T-BAC7C, seven-circuit SMPS	120/240V AC	90...250V AC, 50/60 Hz
856T-B24LC ⁽²⁾	24V DC	18...30V DC per IO-Link specification

(1) The maximum input switching frequency for SMPS (that is, from a PLC) is 5 Hz.

(2) At 24V DC, operating current consumption is 30 mA and inrush current is 0.1 A.

Table 104 - Light Output

Device	Light Output [mcd]	
Steady		
856T-BT3 (green)	7200	
856T-BT4 (red)	5200	
856T-BT5 (amber)	9500	
856T-BT6 (blue)	1300	
856T-BT7 (white)	17,200	
856T-BT8 (yellow)	15,800	
856T-BT9 (magenta)	5600	
Multifunction		
856T-BB3 (green)	12,600	
856T-BB4 (red)	Four functions: • Steady • Flashing (2 Hz) • Single strobe (1.4 Hz) • Double flash strobe (1.4 Hz) Selectable via DIP switches	6900
856T-BB5 (amber)		16,700
856T-BB6 (blue)		2300
856T-BB7 (white)		30,300
856T-BB8 (yellow)		27,800
856T-BB9 (magenta)	9900	
Rotating		
856T-BR3 (green)	6300	
856T-BR4 (red)	5000	
856T-BR5 (amber)	Two rotating speeds: • Speed 1 = 90 RPM • Speed 2 = 180 RPM Selectable via DIP switch	8300
856T-BR6 (blue)		1100
856T-BR7 (white)		15,000
856T-BR8 (yellow)		13,800
Multicolor		
856T-BMC	Seven colors: • Green • Red • Yellow • Blue • White • Magenta • Turquoise Selectable via three inputs	4800

Device	Light Output [mcd]	
Beacon: Steady/Flashing		
856T-BGB3 (green)	Two functions: • Steady • Flashing Selectable via DIP switch or by using two inputs	8400
856T-BGB4 (red)		7200
856T-BGB5 (amber)		11,100
856T-BGB6 (blue)		1500
856T-BGB7 (white)		20,000
856T-BGB8 (yellow)	Flashing frequency = 2 Hz	18,400
Beacon: Strobe		
856T-BSB4 (red)	Two functions: • Single • Double strobe function (1.4 Hz) Selectable via DIP switch	10,600
856T-BSB5 (amber)		21,300
856T-BSB6 (blue)		2900
Beacon: Rotating		
856T-BRB4 (red)	Two speeds: • Speed 1 = 90 RPM • Speed 2 = 180 RPM Selectable via DIP switch	7500
856T-BRB5 (amber)		23,200
Beacon: Multicolor		
856T-BMB	Seven colors: • Green • Red • Yellow • Blue • White • Magenta • Turquoise Selectable via three inputs	8100

Table 105 - Current Consumption and Life

Device	Nominal Current	Inrush Current	Life	
Power Modules				
856T-B24C	–	–	–	
856T-BAC3C, three-circuit SMPS	150 mA, maximum	6 A, maximum	30,000 hr	
856T-BAC7C, seven-circuit SMPS	340 mA, maximum	3.5 A, maximum	30,000 hr	
Sound Modules				
856T-BP1, piezo, top mount	120 mA	1.8 A DC 2.15 A AC	20,000 hr	
856T-BTR3, transducer	200 mA	1.06 A DC 1.24 A AC	20,000 hr	
856T-BPL1, piezo, in-line	120 mA	1.8 A DC 2.15 A AC	20,000 hr	
856T-BH3, recordable	140 mA	0.5A DC 1.0 A AC	10,000 hr	
Steady Light Modules				
856T-BT3 (green)	58 mA	–	> 60,000 hr	
856T-BT4 (red)		–	> 40,000 hr	
856T-BT5 (amber)		–	> 60,000 hr	
856T-BT6 (blue)		–		
856T-BT7 (white)		–		
856T-BT8 (yellow)		–		
856T-BT9 (magenta)		–		
Multifunction Light Modules				
856T-BB3 (green)		100 mA	1.79 A DC 2.66 A AC	> 60,000 hr
856T-BB4 (red)	1.82 A DC 2.66 A AC		> 40,000 hr	
856T-BB5 (amber)	1.79 A DC 2.66 A AC		> 60,000 hr	
856T-BB6 (blue)				
856T-BB7 (white)				
856T-BB8 (yellow)				
856T-BB9 (magenta)				

Device	Nominal Current	Inrush Current	Life
Rotating Light Modules			
856T-BR3 (green)	40 mA	1.79 A DC 2.64 A AC	> 60,000 hr
856T-BR4 (red)	45 mA	1.79 A DC 2.66 A AC	> 40,000 hr
856T-BR5 (amber)	40 mA	1.79 A DC 2.64 A AC	> 60,000 hr
856T-BR6 (blue)			
856T-BR7 (white)			
856T-BR8 (yellow)			
Multicolor Light Modules			
856T-BMC	110 mA	1.30 A DC 1.94 A AC	30,000 hr
Beacon Light Modules (Steady/Flashing)			
856T-BGB3 (green)	100 mA	0.74 A DC 1.24 A AC	> 60,000 hr
856T-BGB4 (red)	108 mA	0.70 A DC 1.16 A AC	> 40,000 hr
856T-BGB5 (amber)	100 mA	0.74 A DC 1.24 A AC	> 60,000 hr
856T-BGB6 (blue)			
856T-BGB7 (white)			
856T-BGB8 (yellow)			
Beacon Light Modules (Strobe)			
856T-BSB4 (red)	190 mA	0.76 A DC 1.11 A AC	> 40,000 hr
856T-BSB5 (amber)		0.77 A DC 1.11 A AC	> 60,000 hr
856T-BSB6 (blue)			
Beacon Light Modules (Rotating)			
856T-BRB4 (red)	65 mA	0.74 A DC 1.09 A AC	> 40,000 hr
856T-BRB5 (amber)		0.75 A DC 1.11 A AC	> 60,000 hr
Beacon Light Modules (Multicolor)			
856T-BMB	200 mA	1.65 A DC 2.46 A AC	30,000 hr

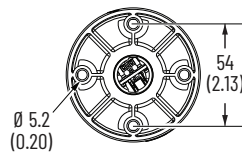
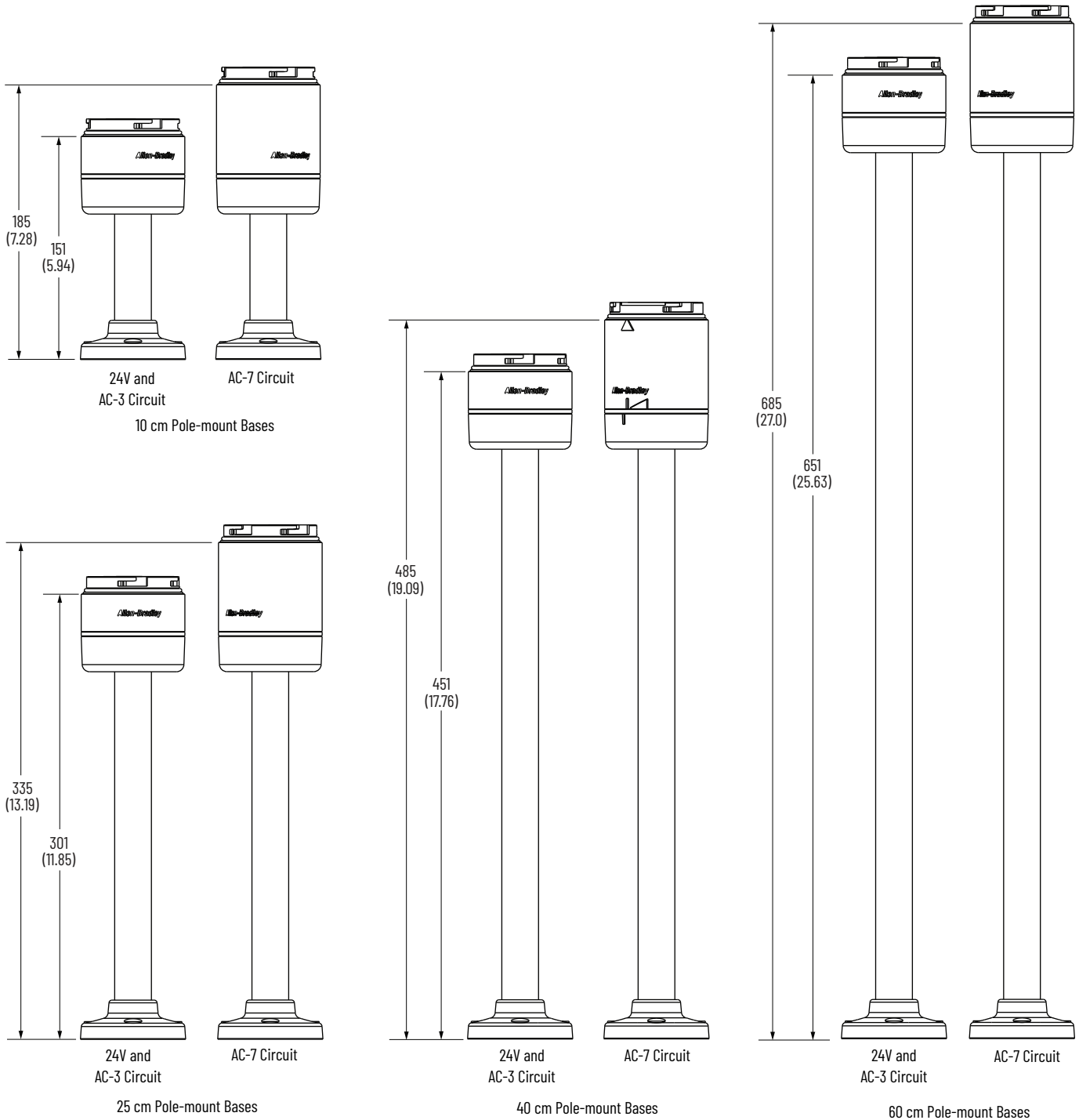
Table 106 - Certifications

70 mm Control Tower Stack Lights	IO-Link Module (856T-B24LC)
<ul style="list-style-type: none"> UL 60947-5-1 CE Marked CSA C22.2 No. 14 c-UL-us Listed (File No. E14840, Guides NKCR, NKCR7) KCC (Registration No. R-REM-RAA-856T) China RoHS WEEE RCM (EN 61000-6-2:2005 and EN 61000-6-3:2007 + A1:2011) 	<ul style="list-style-type: none"> EN 60947-5-1:2004 + A1:2009 EN 61000-6-2:2005 EN 61000-6-3:2007 + A1:2011 EN 50581 2012 2014/35/EU (Low Voltage Directive) 2014/30/EU (EMC Directive) 2011/65/EU (RoHS Directive)
	<ul style="list-style-type: none"> c-UL-us CE (EMC and RoHS) EMC compliance: 60947-5-1 standard UKCA RCM KCC Morocco

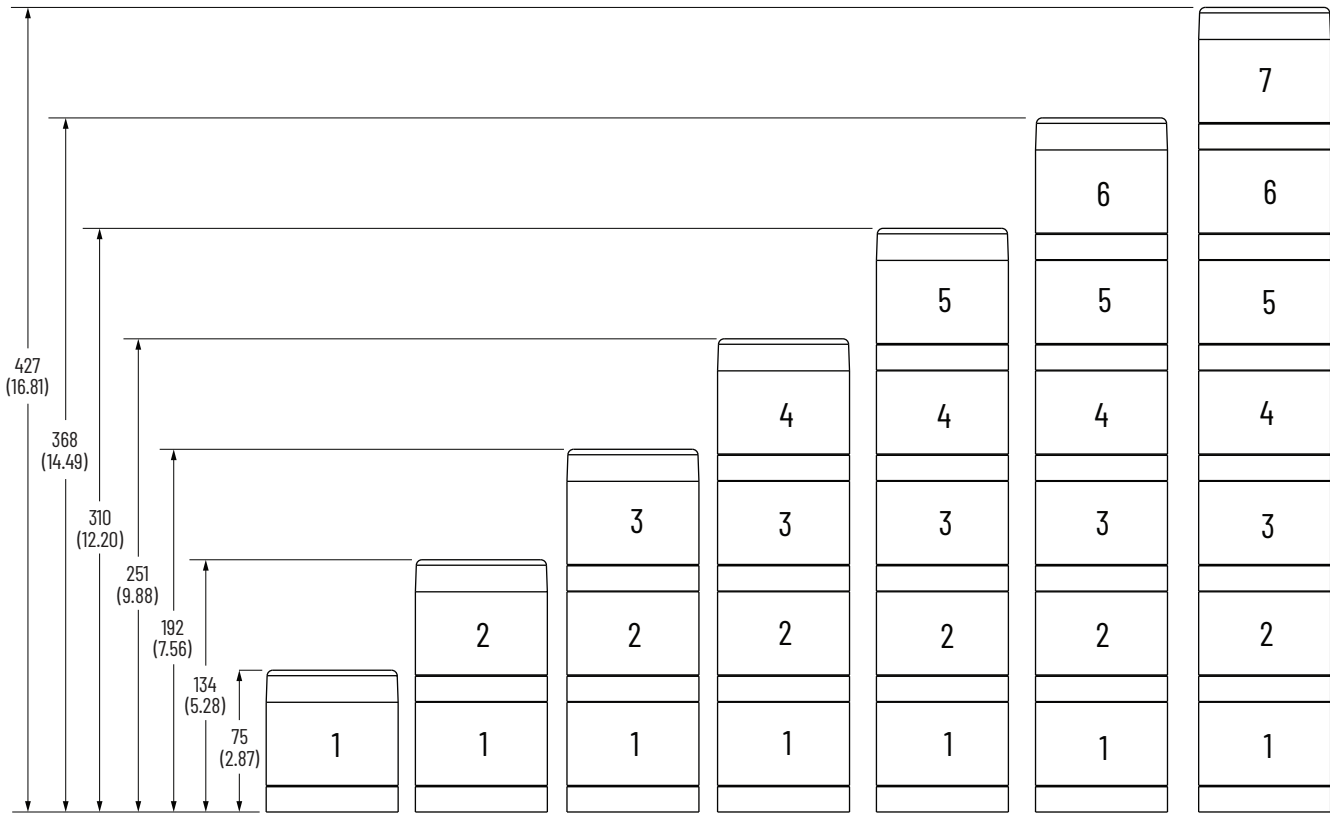
Approximate Dimensions

Dimensions are in millimeters (inches). Dimensions are not intended to be used for manufacturing purposes.

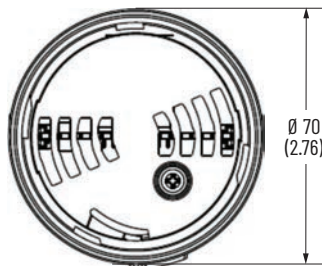
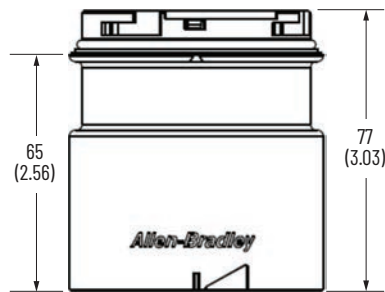
Pole Mount Bases



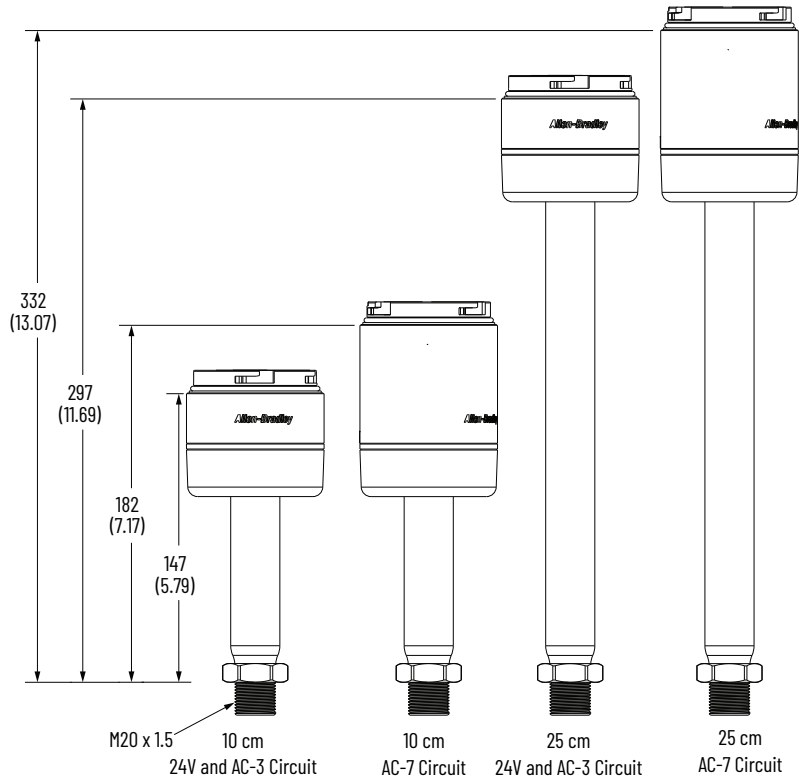
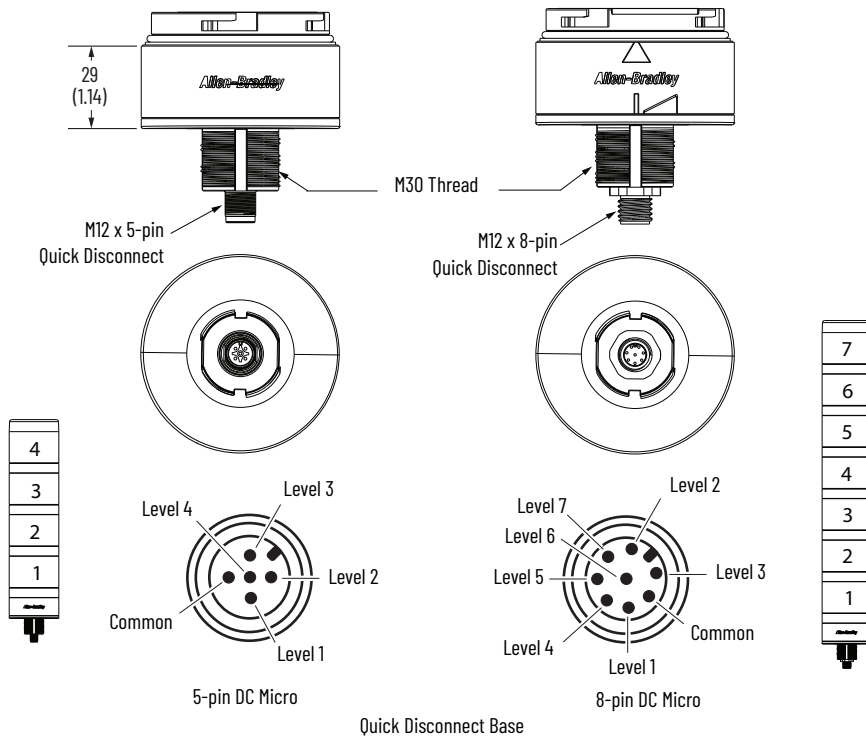
LED Light Modules



IO-Link Module Dimensions

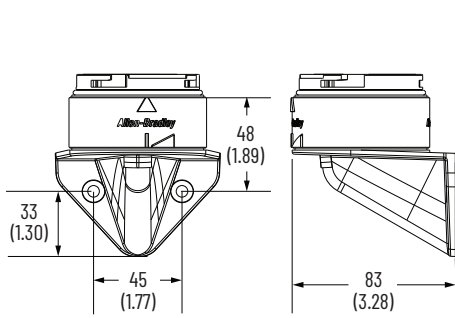


Component and Accessory Dimensions

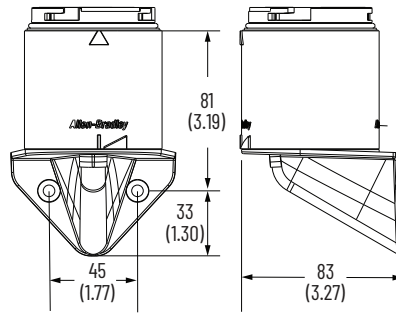


Thread Tube-mount Bases

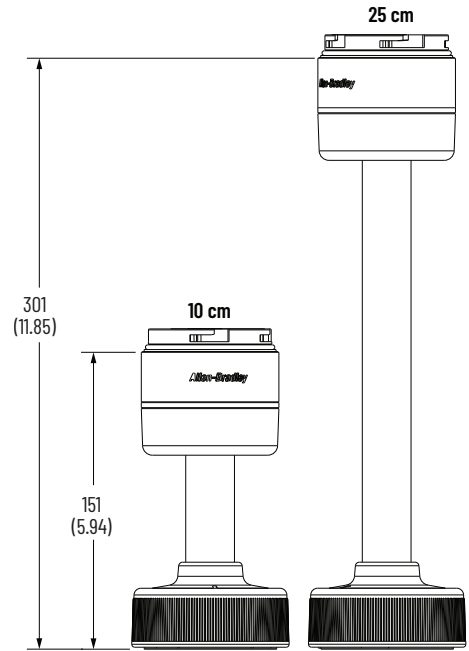
Component and Accessory Dimensions



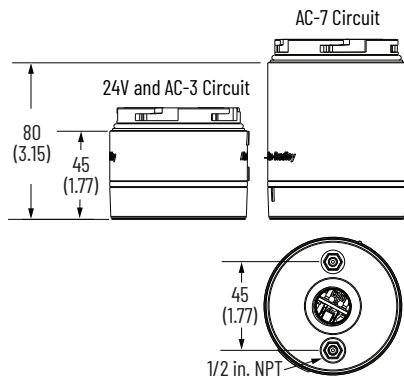
Vertical-mount Base: 24V and AC-3 Circuit



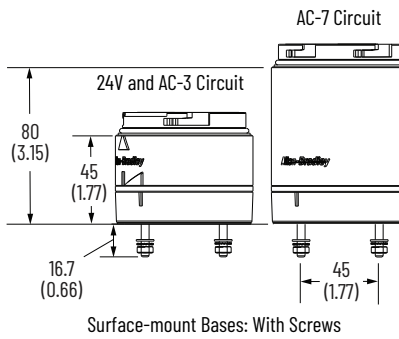
Vertical-mount Base: AC-7 Circuit



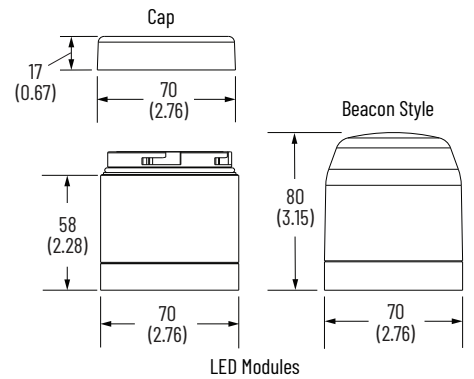
Quick-disconnect Bases



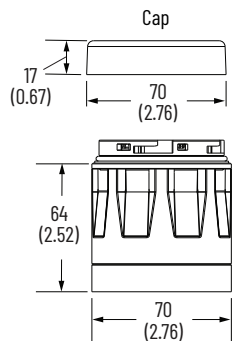
Surface-mount Bases: 1/2 in. NPT



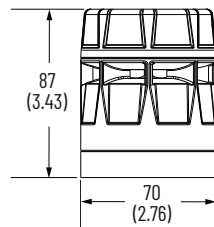
Surface-mount Bases: With Screws



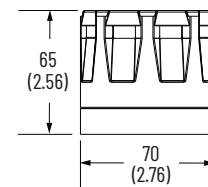
LED Modules



Sound Modules: In-line Piezo



Sound Modules: Transducer or Recordable



Sound Modules: Top-mount Piezo

Notes:

Table 109 - Operating Voltage

Device	Operating Voltage		
	24V AC/DC	120V AC	240V AC
Light modules and sound modules	24V AC/DC (±10%)	110V AC, 50 Hz (±10%) 120V AC, 60 Hz (±10%)	230V AC, 50 Hz (±10%) 240V AC, 60 Hz (±10%)

Table 110 - Current Consumption

Device	Current Consumption [mA]		
	24V AC/DC	120V AC	240V AC
Steady or flashing LED	43 mA per channel, max	33 mA per channel, max	30 mA per channel, max
Piezo sounder	62	24	24

Table 111 - Leakage Current Impact

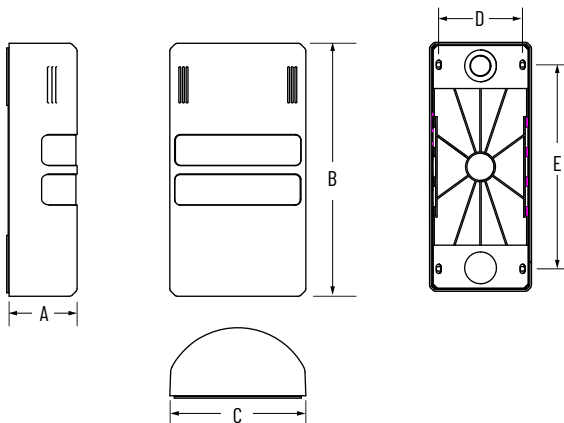
All light and sound modules can absorb up to 3 mA of leakage current from solid-state outputs without module activation.

Table 112 - Mechanical

Attribute	Value	
Design life rating (average life under static, no vibration conditions)	Steady or flashing LED	30,000...50,000 hr
	Piezo sounder	>10,000 hr
Frequency	Flashing LED	2 Hz
Decibel rating	Piezo sounder	90 dbA (potentiometer adjustable down to 70 dbA) All dbA ratings are determined at a distance of 1 m (3.3 ft) from the sound module

Approximate Dimensions

Dimensions are in millimeters (inches). Dimensions are not intended to be used for manufacturing purposes.



Number of Levels	Dimension A	Dimension B	Dimension C	Dimension D	Dimension E
2	45 (1.77)	167.4 (6.59)	90 (3.54)	74 (2.91)	125 (4.92)
3		193.5 (7.62)			150 (5.91)
4		219.6 (8.65)			180 (7.09)
5		245.7 (9.67)			210 (8.27)

Bulletin 855P Panel-mount Signaling Alarms

This product line includes sounders, status indicator beacons, xenon strobes, and sounders with status indicator combination and dual-circuit alarms.

These alarms significantly reduce panel space requirements and installation time. Our panel-mount alarms are rear-securing and fingersafe, which adds a high level of environmental integrity to your panel.

Panel-mount Sounder



30 mm



45 mm



65 mm

855P - **B** **10** **ME** **22**
 a b c d

a	
Housing Color	
Code	Description
B	Black

b	
Voltage	
Code	Description
30	12...24V AC/DC
10	120V AC
20	240V AC

c	
Size	
Code	Description
SE	30 mm, fully enclosed, smooth front, 72 dB
SH	30 mm, high output, 80 dB
ME	45 mm
LE	65 mm

d	
Mounting Hole	
Code	Description
22	22.5 mm

Panel-mount Combined Sounder with LED Beacon



45 mm



65 mm

855PC - **B** **10** **ME** **3** **22**
 a b c d e

a	
Housing Color	
Code	Description
B	Black

b	
Voltage	
Code	Description
12	12V AC/DC
24	24V AC/DC
10	120V AC
20	240V AC

c	
Size	
Code	Description
ME	45 mm
LE	65 mm

d	
Lens Color	
Code	Description
3	Green
4	Red
5	Amber
6	Blue
7	Clear
8	Yellow

e	
Mounting Hole	
Code	Description
22	22.5 mm

Panel-mount Strobe



30 mm



45 mm



65 mm

855PS - **B** **10** **ME** **3** **22**
 a b c d e

a	
Housing Color	
Code	Description
B	Black

b	
Voltage	
Code	Description
12	12V AC/DC
24	24V AC/DC
10	120V AC
20	240V AC
30	12...24V AC/DC

c	
Size	
Code	Description
SE	30 mm ⁽¹⁾
ME	45 mm ⁽²⁾
LE	65 mm ⁽²⁾

d	
Lens Color	
Code	Description
3	Green
4	Red
5	Amber
6	Blue
7	Clear
8	Yellow

e	
Mounting Hole	
Code	Description
22	22.5 mm

- (1) For Size Code SE:
These 30 mm units are a light emitting diode (LED) type.
Only available with Voltage Code 12, 24, 10, or 20. Not available with Voltage Code 30.
- (2) For Size Code ME and LE:
These units are xenon strobe.
Only available with Voltage Code 30, 10, or 20.

Panel-mount Selectable Steady or Flashing LED Beacon



30 mm



45 mm



65 mm

855 PB - **B** **10** **ME** **3** **22**
 a b c d e

a	
Housing Color	
Code	Description
B	Black

b	
Voltage	
Code	Description
12	12V AC/DC
24	24V AC/DC
10	120V AC
20	240V AC

c	
Size	
Code	Description
SE	30 mm
ME	45 mm
LE	65 mm

d	
Lens Color	
Code	Description
3	Green
4	Red
5	Amber
6	Blue
7	Clear
8	Yellow

e	
Mounting Hole	
Code	Description
22	22.5 mm

Panel-mount Dual-circuit Alarms



Half-lens Illumination



Full-lens Illumination



Combined Sounder with LED Beacon

855PD - B 24 ME F 3 4 22
 a b c d e f g

a	
Housing Color	
Code	Description
B	Black

b	
Voltage	
Code	Description
12	12V AC/DC ⁽¹⁾
24	24V AC/DC
10	120V AC
20	240V AC

c	
Size	
Code	Description
SE	30 mm ⁽²⁾⁽³⁾
ME	45 mm
LE	65 mm

d	
Function	
Code	Description
F	Two-color, full-lens illumination
H	Two-color, half-lens illumination with barrier
C	Combined sounder with LED beacon ⁽³⁾


e	
LED Color ⁽⁴⁾ /Sound	
Code	Description
1	Sound
3	Green
4	Red
5	Amber
6	Blue
7	Clear
8	Yellow

f	
LED Color ⁽⁵⁾	
Code	Description
3	Green
4	Red
5	Amber ⁽⁶⁾
6	Blue
7	Clear
8	Yellow ⁽³⁾

g	
Mounting Hole	
Code	Description
22	22.5 mm

- (1) Voltage Code 12 is only valid for a sounder with LED devices.
- (2) Size Code SE is only available in Voltage Code 24, for 2-color versions.
- (3) The sounder with LED is not available in the 30 mm size.
- (4) Voltage Code 12 is only valid for sounder with LED devices.
- (5) For two-color devices, the first color code that is listed in the catalog number corresponds to the same side as the panel tab found on the housing. For example: Catalog Number 855PD-B24MEH4322 indicates that the red color (LED Color/Sound Code 4) is on the same side as the panel tab and the green color (LED Color Code 3) is on the opposite side as the panel tab.
- (6) The color combination of yellow and amber is not allowed because of their similarity.

Accessories

Description	Cat. No.
 22.5...30.5 mm hole adapter kit	855P-AHA1

Specifications

Table 113 - Standards and Certifications ⁽¹⁾

Standards Compliance	Certifications
<ul style="list-style-type: none"> EN/IEC 60947-1 EN/IEC 60947-5-1 UL 508 CSA C22.2 No. 14 	<ul style="list-style-type: none"> c-UL-us Listed (File No. E14840, Guides NKCR, NKCR7) CE Marked

(1) For the most current certification information, use "855P" as the search criteria from rok.auto/certifications.

Panel Sounder and Single-/Dual-circuit Panel Sounder with LED

Table 114 - Technical

Attribute	Detail	
Housing	Base Material	Polycarbonate, black
	Lens	Polycarbonate, red, amber, yellow, green, blue, and clear
Protection class	UL Type 4/4X/13, IP65	
Terminals	Plug-in terminal block, up to 2.5 mm ² (14 AWG), IP2X	
Operation temperature range	-25...+60 °C (-13...+140 °F)	
Storage temperature range	-25...+85 °C (-13...+185 °F)	
Mounting	Central mounting for bore holes 22 mm or 30.5 mm with hole adapter kit (Catalog Number 855P-AHA1)	
Mounting nut torque	1.7 N•m (15 lb•in)	

Table 115 - Electrical

Attribute	Sounder			Sounder with Warning Light		
	65 mm	45 mm	30 mm	65 mm	45 mm	
Supply voltage range	12V AC/DC - 50/60 Hz	—	—	±10%	±10%	
	24V AC/DC - 50/60 Hz	—	—	±10%	±10%	
	12...24V AC/DC - 50/60 Hz	8...26V AC/DC	8...26V AC/DC	10...26V AC/DC	—	—
	120V AC - 50/60 Hz	50...140V AC	50...140V AC	80...140V AC	±10%	±10%
	230/240V AC - 50/60 Hz	150...260V AC	150...260V AC	180...260V AC	±10%	±10%
Nominal current – single circuit (dual circuit)	12V AC/DC - 50/60 Hz	—	—	50 mA (62 mA)	35 mA (48 mA)	
	24V AC/DC - 50/60 Hz	57 mA	20 mA	20 mA	73 mA (95 mA)	58 mA (73 mA)
	120V AC - 50/60 Hz	40 mA	40 mA	20 mA	60 mA (52 mA)	40 mA (51 mA)
	230/240V AC - 50/60 Hz	42 mA	42 mA	20 mA	63 mA (52 mA)	42 mA (51 mA)
Turn-on leakage current	≥3 mA	≥3 mA	≥3 mA	≥3 mA	≥3 mA	
Sound level, maximum (average)	105 dbA at 1 m (3.3 ft)	100 dbA at 1 m (3.3 ft)	SE: 72 dbA at 1 m (3.3 ft) SH: 80 dbA at 1 m (3.3 ft)	103 dbA at 1 m (3.28 ft)	98 dbA at 1 m (3.28 ft)	
Sound level, minimum	< 85 dB	< 85 dB	—	< 85 dB	< 85 dB	
Sound level adjustment	Stepless	Stepless	—	Stepless	Stepless	
Sound main frequency	3300 Hz	3300 Hz	3500 Hz	3300 Hz	3300 Hz	
Sound types	Continuous	Yes	Yes	Yes	Yes	Yes
	Pulsing ⁽¹⁾	Yes	Yes	Yes	Yes	Yes
	Alternating frequency ⁽¹⁾	Yes	No	No	Yes	No
Sound selection	Externally by terminal connection					
Weight	65 g (2.3 oz)	35 g (1.2 oz)	25 g (0.9 oz)	85 g (3 oz)	55 g (1.9 oz)	

(1) Single circuit only.

Panel Strobe and Single/Two Color LED Lights

Table 116 - Technical

Attribute		Bulletin 855P
Housing	Base material	Polycarbonate, black
	Lens	Polycarbonate, red, amber, yellow, green, blue, and clear
Protection class		UL Type 4/4X/13, IP2X, IP65
Terminals		Plug-in terminal block, up to 2.5 mm ² (14 AWG), IP2X fingersafe
Operation temperature range		-25...+60 °C (-13...+140 °F)
Storage temperature range		-25...+85 °C (-13...+185 °F)
Mounting		Central mounting for bore holes 22 mm or 30.5 mm with hole adapter kit (Cat. No. 855P-AHA1)
Mounting nut torque		1.7 N•m (15 lb•in)

Table 117 - Electrical

Attribute		LED Beacon – Steady/Flashing			Strobe Light		
		65 mm	45 mm	30 mm	65 mm	45 mm	30 mm
Supply voltage range	12V AC/DC, 50/60 Hz	±10%	±10%	±10%	—	—	±10%
	24V AC/DC, 50/60 Hz	±10%	±10%	±10%	—	—	±10%
	12...24V AC/DC, 50/60 Hz	—	—	—	8...26V AC/DC	8...26V AC/DC	—
	120V AC, 50/60 Hz	±10%	±10%	±10%	±10%	±10%	±10%
	230/240V AC, 50/60 Hz	±10%	±10%	±10%	±10%	±10%	±10%
Nominal current single circuit (dual circuit)	12V AC/DC, 50/60 Hz	75 mA	60 mA	30 mA	—	—	15 mA
	24V AC/DC, 50/60 Hz	54 mA (full: 71 mA half: 44 mA)	35 mA (full: 46 mA half: 39 mA)	25 mA (full: 28 mA half: 30 mA)	—	—	10 mA
	12...24V AC/DC, 50/60 Hz at 12V	—	—	—	150 mA	110 mA	—
	12...24V AC/DC, 50/60 Hz at 24V	—	—	—	140 mA	100 mA	—
	120V AC, 50/60 Hz	25 mA (full: 61 mA half: 41 mA)	25 mA (full: 35 mA half: 35 mA)	20 mA	30 mA	20 mA	10 mA
	230/240V AC, 50/60 Hz	25 mA (full: 61 mA half: 41 mA)	25 mA (full: 35 mA half: 34 mA)	20 mA	20 mA	12 mA	10 mA
Turn-on leakage current		≥ 3 mA	≥ 3 mA	≥ 3 mA	≥ 3 mA	≥ 3 mA	≥ 3 mA
Steady/Flashing light		Externally by terminal connection			—	—	—
Flashing frequency		2 Hz	2 Hz	2 Hz	1.4 Hz (min)	1.4 Hz (min)	1.4 Hz (min)
Light source		LED			Xenon tube		LED
Flash energy		—	—	—	1 J	1.5 J	—
Weight		60 g (2.1 oz)	40 g (1.4 oz)	40 g (1.4 oz)	80 g (2.8 oz)	60 g (2.1 oz)	40 g (1.4 oz)

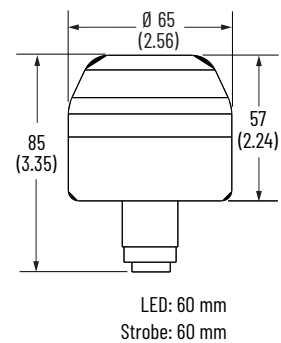
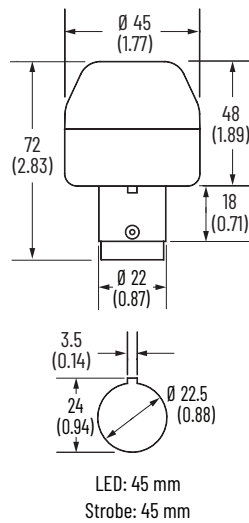
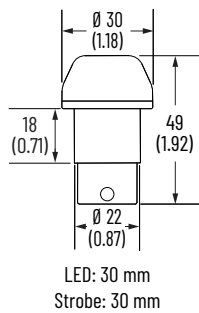
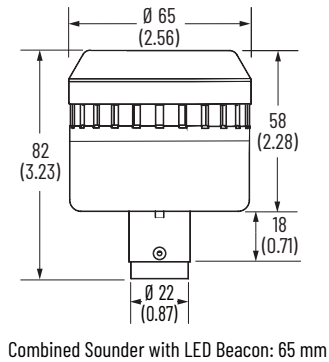
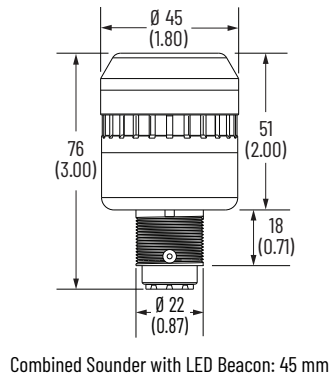
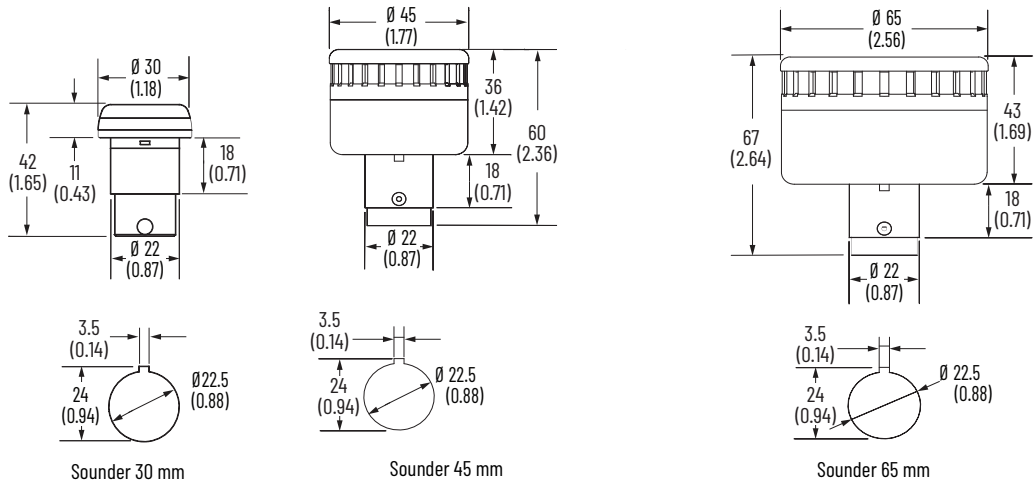
Approximate Dimensions

Dimensions are in millimeters (inches). Dimensions are not intended to be used for manufacturing purposes.



The terminal connector for 30 mm devices adds 14 mm (0.55 in.) to the back-of-panel depth.

The terminal connector for 45 mm and 65 mm devices adds 9 mm (0.35 in.) to the back-of-panel depth.



Bulletin 855XB/855XC/855XH Hazardous Location Beacons, Horns, and Combination Units

These devices are designed to alert you to critical equipment and system needs on the plant floor. Available in a wide variety of light and sound functions, sizes, colors, voltages, and mounting options, these devices are also offered pre-assembled to save time.

- Provides low power consumption and long life
- Offers horn only or horn and attached beacon with six lens colors
- Offers 24V DC, 120V AC, and 240V AC voltage options
- Includes glass reinforced plastic and impact resistant ABS enclosure
- Offers -20...+55 °C (-4...+131 °F) operating temperature for Class 1 Division 2
- NEMA Type 4/4X/13, IP 66/67 certified
- UL listed, ATEX/IECEX certified

Strobe Beacons



855XB - **BN** **A10** **B** **4**
a b c d

a	
Product Type	
Code	Description
BN	1/2 in. NPT and M20 x 1.5 conduit entrance, black housing

b	
Voltage	
Code	Description
D24	24V DC
A10	115...120V AC
A20	220...230V AC

c	
Beacon Type	
Code	Description
A	Xenon strobe – 5 J, 1 Hz
B	Xenon strobe – 10 J, 1 Hz
L	LED, multifunction

d	
Lens Color	
Code	Description
4	Red
5	Amber
7	Clear

Combination Horn Sounder and Strobe Beacons



Xenon/Flare



LED/Radial

855XC - **BN** **A10** **A** **3**
a b c d

a	
Product Type	
Code	Description
BN	1/2 in. NPT and M20x1.5 conduit entrance, black housing

b	
Voltage	
Code	Description
D24	24V DC
A10	115...120V AC
A20	220...230V AC

c	
Horn/Beacon Type	
Code	Description
A	Xenon strobe - 5 J, Flare horn 110 dB at 1 m (3.3 ft), 45 tones, 3 stages
RL	LED, multifunction Radial horn 110dB at 1 m (3.3 ft), 45 tones, 3 stages

d	
Lens Color	
Code	Description
4	Red
5	Amber
7	Clear

Alarm Horn Sounders



855XH - BN D30 B
 a b c

a	
Product Type	
Code	Description
BN	1/2 in. NPT and M20x1.5 conduit entrance, black housing

b	
Voltage	
Code	Description
D30	10...30V DC
A10	115...120V AC
A20	220...230V AC

c	
Horn Type	
Code	Description
A	110 dB at 1 m (3.3 ft), 45 tone, 3 stage
B	117 dB at 1 m (3.3 ft), 45 tone, 3 stage

Specifications

Table 118 - Mechanical

Attribute	Value
Shock	30 G peak
Vibration	2 G peak

Table 119 - Environment

Attribute	Value
Ingress ratings	UL Type 4/4X13, IP 66/67
Temperature ranges	Operating -20...+55 °C (-4...+131 °F)
	Storage -40...+70 °C (-40...+158 °F)
Relative humidity	90% at 20 °C (68 °F)

Table 120 - Materials

Part	Value
Housing	PPS: RYTON type R-4 02 XT
Lens	Polycarbonate over glass
Lens cage	Stainless steel 304/A2
Mounting bracket	Stainless steel 304/A3
O-ring	Viton (housing and glass dome)
Horn	Flare Polycarbonate
	Radial Stat-Kon
Screws, washers, and nuts	Stainless steel 302/304
Dome glass	Borosilicate glass
Cemented joint material ⁽¹⁾	Moisture-cure silicon adhesive 7091

(1) Applies to Bulletin 855XH and Bulletin 855XC only.

Table 121 - Performance Ratings

Cat. No.	Sound Output at 1 m (3.3 ft) ⁽¹⁾	Volume Control	Number of Tones
855XH-BNxxxAy ⁽²⁾	110 dBA	Adjustable -8 dB	45
855XH-BNxxxBy ⁽²⁾	117 dBA		
855XC	110 dBA		

(1) SPL data ±3dbA. Measured at optimum voltage.

(2) Replace the y with Lens Color Code 4, 5, or 7.

Table 122 - Light Output

Cat. No. ⁽¹⁾	Horn/Beacon Type	Measured reference to Illuminating Energy Society (IEC) ⁽²⁾	Calculated from energy [J]
855XB-BNxxxAy	Xenon 5J	34,122 cd peak 108 cd effective	500,000 cd peak 250 cd effective
855XC-BNxxxAy			
855XB-BNxxxBy	Xenon 10J	61,164 cd peak 272 cd effective	1,00,000 cd peak 500 cd effective
855XB-BNxxxLy	LED	87 cd effective (high power steady), 160 cd effective (1 Hz flash)	-
855XC-BNxxxRLy			

(1) Replace the y with Lens Color Code 4, 5, or 7.

(2) All candela (cd) data is representative of performance with clear lens at optimum voltage.

Table 123 - Beacon Flashing Frequency

Cat. No. ⁽¹⁾	Flashing Frequency
855XB-BNxxxAy	1 Hz
855XC-BNxxxAy	
855XB-BNxxxBy	1 Hz
855XB-BND24Ly	High: Steady, 1 Hz, 2 Hz, 2X, 3X, 80FPM Low: Steady (S1) + 1 Hz flashing (S2) + 3X (S3)
855XC-BND24Ly	
855XB-BNA10Ly	High: Steady, 1 Hz, 2 Hz, 2X, 3X, 80FPM Low: Steady
855XC-BNA10Ly	
855XB-BNA20Ly	High: Steady, 1 Hz, 2 Hz, 2X, 3X, 80FPM Low: Steady
855XC-BNA20Ly	

(1) Replace the y with Lens Color Code 4, 5, or 7.

Table 124 - Operating Voltage and Current Consumption

Cat. No. ⁽¹⁾	Operating Voltage	Current Consumption, Nominal	Inrush Current	Leakage Immunity
855XB-BND24Ay	20...28V DC	275 mA	6.40 A at 1.15 ms	>3 mA
855XB-BNA10Ay	115V AC 50/60 Hz ±10%	80 mA	963 mA at 3.07 ms	>3 mA
855XB-BNA20Ay	230V AC 50/60 Hz ±10%	30 mA	630 mA at 0.58 ms	>3 mA
855XB-BND24By	20...28V DC	560 mA	6.71 A at 0.77 ms	>3 mA
855XB-BNA10By	115V AC 50/60 Hz ±10%	185 mA	739 mA at 3.07 ms	>3 mA
855XB-BNA20By	230V AC 50/60 Hz ±10%	107 mA	993 mA at 1.15 ms	>3 mA
855XB-BND24Ly	18...54V DC	240 mA (Steady high power) 134 mA (Steady low power) 110 mA (1 Hz Flashing)	1.9A at 1.6 ms	>3 mA
855XB-BNA10Ly	103.5...126.5V AC 50/60 Hz	95 mA (Steady high power) 78 mA (Steady low power) 90 mA (1 Hz Flashing)	1.04 A at 11.1ms	>3mA (horn) 3 mA at <13V AC (LED)
855XB-BNA20Ly	207...253V AC 50/60 Hz	48 mA (Steady high power) 37 mA (Steady low power) 45 mA (1 Hz Flashing)	0.61 A at 11.5ms	>3mA (horn) 3 mA at <40V AC (LED)
855XC-BND24Ay	10...30V DC Horn 20...28V DC Beacon	Horn: 284 mA Beacon: 275 mA	Horn: 16.79 A at 0.29 ms Beacon: 6.40 A at 1.15 ms	>3 mA
855XC-BNA10Ay	115V AC 50/60 Hz ±10%	Horn: 104 mA Beacon: 80 mA	Horn: 1.235 A at 6.72 ms Beacon: 963 mA at 3.07 ms	>3 mA
855XC-BNA20Ay	230V AC 50/60 Hz ±10%	Horn: 54 mA Beacon: 30 mA	Horn: 1.413 A at 0.576 ms Beacon: 630 mA at 0.58 ms	>3 mA
855XC-BND24RLy	24V DC ±25% Horn 18...54V DC Beacon	Horn: 265 mA 240 mA (LED-steady high power) 134 mA (LED-steady low power) 110 mA (LED-1 Hz Flashing)	Horn: 16.79 A at 0.29 ms Beacon: 1.9 A at 1.6 ms	>3 mA
855XC-BNA10RLy	115V AC 50/60 Hz ±10%	Horn: 110 mA 95 mA (LED-Steady high power) 78 mA (LED-Steady low power) 90 mA (LED-1 Hz Flashing)	Horn: 1.235 A at 6.72 ms Beacon: 1.04 A at 11.1 ms	3 mA at <13V AC
855XC-BNA20RLy	230V AC 50/60 Hz ±10%	Horn: 56 mA 48 mA (LED-steady high power) 37 mA (LED-steady low power) 45 mA (LED-1 Hz Flashing)	Horn: 1.413 A at 0.576 ms Beacon: 0.61 A at 11.5 ms	3 mA at <40V AC

Table 124 - Operating Voltage and Current Consumption (Continued)

Cat. No. (1)	Operating Voltage	Current Consumption, Nominal	Inrush Current	Leakage Immunity
855XH-BND30A	10...30V DC	284 mA	16.79 A at 0.29 ms	>3mA
855XH-BNA10A	115V AC 50/60 Hz ±10%	104 mA	1.235 A at 6.72 ms	>3 mA
855XH-BNA20A	230V AC 50/60 Hz ±10%	54 mA	1.413 A at 0.576 ms	>3mA
855XH-BND30B	10...30V DC	280 mA	13.53 A at 0.19 ms	>3 mA
855XH-BNA10B	115V AC 50/60 Hz ±10%	142 mA	1.405 A at 4.03 ms	>3 mA
855XH-BNA20B	230V AC 50/60 Hz ±10%	76 mA	1.722 A at 0.96 ms	>3 mA

(1) Replace the y with Lens Color Code 4, 5, or 7.

Table 125 - Input

Cat. No.	Input Voltage	Input Current	Maximum Input Voltage
855XH-BMD30A	24V DC	284 mA	30V
855XH-BMA10A	120V 50/60 Hz AC	104 mA	132V
855XH-BMA20A	230V 50/60 Hz AC	54 mA	253V
855XH-BMD30B	24V DC	280 mA	30V
855XH-BMA10B	120V 50/60 Hz AC	142 mA	132V
855XH-BMA20B	230V 50/60 Hz AC	76 mA	253V

Table 126 - Wiring

Haz Loc Device (1)	Tightening Torque [N·m (lb·in)]	Wire Strip Length [mm (in.)]	Wire Cross Section	AWG (Solid/Stranded)	Voltage Rating [V]	Temperature [°C (°F)]
855XH-BNxxxA	0.45 (4)	8 (0.31)	0.2...4.0 mm ²	12...30	300	-30...105 (22...221)
855XH-BNxxxB				12...24		-40...115 (-40...239)
855XC-BNxxxAy (beacon PCB)	0.56 (5)	7...8 (0.28...0.31)		12...30		-30...105 (-22...221)
855XC-BNxxxAy (horn PCB)	0.45 (4)	8 (0.31)		12...24		-40...115 (-40...239)
855XC-BNxxxRLy (beacon PCB)	0.56 (5)	7...8 (0.28...0.31)		12...30		-30...105 (-22...221)
855XC-BNxxxRLy (horn PCB)	0.45 (4)	8 (0.31)		12...24		-40...115 (-40...239)
855XB-BNxxxAy	0.56 (5)	7...8 (0.28...0.31)		12...30		-30...105 (-22...221)
855XB-BNxxxBy				12...24		-40...115 (-40...239)
855XB-BNxxxRLy						

(1) Replace the y with Lens Color Code 4, 5, or 7.

Table 127 - Hazardous Location Certifications

Cat. No.	Description	ATEX/IECEX	NEC Class/Zone	CEC Class/Zone	Class/Div
855XB-BND24A 855XB-BNA10A 855XB-BNA20A	Xenon 5J beacon	<ul style="list-style-type: none"> II 3G Ex nA IIC T3 Gc Ta -20...+40 °C (-4...+104 °F) II 3G Ex nA IIC T2 Gc Ta -20...+55 °C (-4...+131 °F) II 3D Ex tc IIIC 85°C Dc Ta -20...+40 °C (-4...+104 °F) II 3D Ex tc IIIC 100°C Dc Ta -20...+55 °C (-4...+131 °F) 	<ul style="list-style-type: none"> Class I Zone 2 AEx nA IIC T3 Gc Ta -20...+40 °C (-4...+104 °F) Class I Zone 2 AEx nA IIC T2 Gc Ta -20...+55 °C (-4...+131 °F) Zone 22 AEx tc IIIC 85°C Dc Ta -20...+40 °C (-4...+104 °F) Zone 22 AEx tc IIIC 100°C Dc Ta -20...+55 °C (-4...+131 °F) 	<ul style="list-style-type: none"> Class I Zone 2 Ex nA IIC T3 Gc Ta -20...+40 °C (-4...+104 °F) Class I Zone 2 Ex nA IIC T2 Gc Ta -20...+55 °C (-4...+131 °F) Zone 22 Ex tc IIIC 85°C Dc Ta -20...+40 °C (-4...+104 °F) Zone 22 Ex tc IIIC 100°C Dc Ta -20...+55 °C (-4...+131 °F) 	<ul style="list-style-type: none"> Class I, Div 2, ABCD T2D Ta -20...+55 °C (-4...+131 °F) Class I, Div 2, ABCD T3 Ta -20...+40 °C (-4...+104 °F) Class II, Div 2, FG T5 Ta -20...+55 °C (-4...+131 °F) Class II, Div 2, FG T6 Ta -20...+40 °C (-4...+104 °F) Class III Ta -20...+55 °C (-4...+131 °F)
855XB-BND24B 855XB-BNA10B 855XB-BNA20B	Xenon 10J beacon	<ul style="list-style-type: none"> II 3G Ex nA IIC T2 Gc Ta -20...+55 °C (-4...+131 °F) II 3D Ex tc IIIC 105°C Dc Ta -20...+40 °C (-4...+104 °F) II 3D Ex tc IIIC 120°C Dc Ta -20...+55 °C (-4...+131 °F) 	<ul style="list-style-type: none"> Class I Zone 2 AEx nA IIC T2 Gc Ta -20...+55 °C (-4...+131 °F) Zone 22 AEx tc IIIC 105°C Dc Ta -20...+40 °C (-4...+104 °F) Zone 22 AEx tc IIIC 120°C Dc Ta -20...+55 °C (-4...+131 °F) 	<ul style="list-style-type: none"> Class I Zone 2 Ex nA IIC T2 Gc Ta -20...+55 °C (-4...+131 °F) Class I Zone 2 Ex nA IIC T2 Gc Ta -20...+55 °C (-4...+131 °F) Zone 22 Ex tc IIIC 105°C Dc Ta -20...+40 °C (-4...+104 °F) 	<ul style="list-style-type: none"> Class I, Div 2, ABCD T2C Ta -20...+55 °C (-4...+131 °F) Class I, Div 2, ABCD T2D Ta -20...+40 °C (-4...+104 °F) Class II, Div 2, FG T5 Ta -20...+55 °C (-4...+131 °F) Class II, Div 2, FG T6 Ta -20...+40 °C (-4...+104 °F) Class III Ta -20...+55 °C (-4...+131 °F)

Table 127 - Hazardous Location Certifications (Continued)

Cat. No.	Description	ATEX/IECEX	NEC Class/Zone	CEC Class/Zone	Class/Div
855XH-BND30A 855XH-BNA10A 855XH-BNA20A	Flare 110 dB	<ul style="list-style-type: none"> II 3G Ex nA IIC T4 Gc Ta -20...+55 °C (-4...+131 °F) II 3D Ex tc IIIC T85 °C Dc Ta -20...+55 °C (-4...+131 °F) 	<ul style="list-style-type: none"> Class I Zone 2 AEx nA IIC T4 Gc Ta -20...+55 °C (-4...+131 °F) Zone 22 AEx tc IIIC T85 °C Dc Ta -20...+55 °C (-4...+131 °F) 	<ul style="list-style-type: none"> Ex nA IIC T4 Gc Ta -20...+55 °C (-4...+131 °F) Ex tc IIIC T85 °C Dc Ta -20...+55 °C (-4...+131 °F) 	<ul style="list-style-type: none"> Class I, Div 2, ABCD T3C Ta -20...+55 °C (-4...+131 °F) Class I, Div 2, ABCD T4 Ta -20...+40 °C (-4...+104 °F) Class II, Div 2, FG T6 Ta -20...+55 °C (-4...+131 °F) Class III T6 Ta -20...+55 °C (-4...+131 °F)
855XH-BND30B 855XH-BNA10B 855XH-BNA20B	Flare 117 dB	<ul style="list-style-type: none"> II 3G Ex nA IIC T4 Gc Ta -20...+55 °C (-4...+131 °F) II 3D Ex tc IIIC T85 °C Dc Ta -20...+55 °C (-4...+131 °F) 	<ul style="list-style-type: none"> Class I Zone 2 AEx nA IIC T4 Gc Ta -20...+55 °C (-4...+131 °F) Zone 22 AEx tc IIIC T85 °C Dc Ta -20...+55 °C (-4...+131 °F) 	<ul style="list-style-type: none"> Ex nA IIC T4 Gc Ta -20...+55 °C (-4...+131 °F) Ex tc IIIC T85 °C Dc Ta -20...+55 °C (-4...+131 °F) 	<ul style="list-style-type: none"> Class I, Div 2, ABCD T3C Ta -20...+55 °C (-4...+131 °F) Class I, Div 2, ABCD T4 Ta -20...+40 °C (-4...+104 °F) Class II, Div 2, FG T6 Ta -20...+55 °C (-4...+131 °F) Class III Ta -20...+55 °C (-4...+131 °F)
855XB-BND24L 855XB-BNA10L 855XB-BNA20L	LED beacon	<ul style="list-style-type: none"> II 3G Ex nA IIC Gc T4 Ta -20...+55 °C (-4...+131 °F) II 3D Ex tb IIIC Dc T85 °C Ta -20...+55 °C (-4...+131 °F) 	<ul style="list-style-type: none"> Class I Zone 2 AEx nA IIC Gc T4 Ta -20...+55 °C (-4...+131 °F) Zone 22 AEx tb IIIC Dc T85 °C Ta -20...+55 °C (-4...+131 °F) 	<ul style="list-style-type: none"> Ex nA IIC Gc T4 Ta -20...+55 °C (-4...+131 °F) Ex nA IIC Gc T4A Ta -20...+40 °C (-4...+104 °F) Ex tb IIIC Dc T85 °C Ta -20...+55 °C (-4...+131 °F) 	<ul style="list-style-type: none"> Class I, Div 2, ABCD T4A Ta -20...+55 °C (-4...+131 °F) Class II, Div 2, FG T6 Ta -20...+55 °C (-4...+131 °F) Class III, Div 1&2 Ta -20...+55 °C (-4...+131 °F)
855XC-BND24A 855XC-BNA10A 855XC-BNA20A	Combo-flare with 5J xenon	<ul style="list-style-type: none"> II 3G Ex nA IIC T3 Gc Ta -20...+40 °C (-4...+104 °F) II 3G Ex nA IIC T2 Gc Ta -20...+55 °C (-4...+131 °F) II 3D Ex tc IIIC 85 °C Dc Ta -20...+40 °C (-4...+104 °F) II 3D Ex tc IIIC 100 °C Dc Ta -20...+55 °C (-4...+131 °F) 	<ul style="list-style-type: none"> Class I Zone 2 AEx nA IIC T3 Gc Ta -20...+40 °C (-4...+104 °F) Class I Zone 2 AEx nA IIC T2 Gc Ta -20...+55 °C (-4...+131 °F) Zone 22 AEx tc IIIC 85 °C Dc Ta -20...+40 °C (-4...+104 °F) Zone 22 AEx tc IIIC 100 °C Dc Ta -20...+55 °C (-4...+131 °F) 	<ul style="list-style-type: none"> Ex nA IIC T3 Gc Ta -20...+40 °C (-4...+104 °F) Ex nA IIC T2 Gc Ta -20...+55 °C (-4...+131 °F) Ex tc IIIC 85 °C Dc Ta -20...+40 °C (-4...+104 °F) Ex tc IIIC 100 °C Dc Ta -20...+55 °C (-4...+131 °F) 	<ul style="list-style-type: none"> Class I, Div 2, ABCD T2D Ta -20...+55 °C (-4...+131 °F) Class I, Div 2, ABCD T3 Ta -20...+40 °C (-4...+104 °F) Class II, Div 2, FG T5 Ta -20...+55 °C (-4...+131 °F) Class II, Div 2, FG T6 Ta -20...+40 °C (-4...+104 °F) Class III, Div 1&2 Ta -20...+55 °C (-4...+131 °F)
855XC-BND24RL 855XC-BNA10RL 855XC-BNA20RL	Combo-radial with LED	<ul style="list-style-type: none"> II 3G Ex nA IIC Gc T3 Ta -20...+55 °C (-4...+131 °F) II 3D Ex tc IIIC Dc T105 °C Ta -20...+55 °C (-4...+131 °F) II 3D Ex tc IIIC Dc T90 °C Ta -20...+40 °C (-4...+104 °F) 	<ul style="list-style-type: none"> Class I Zone 2 AEx nA IIC Gc T3 Ta -20...+55 °C (-4...+131 °F) Zone 22 AEx tc IIIC Dc T105 °C Ta -20...+55 °C (-4...+131 °F) Zone 22 AEx tc IIIC Dc T90 °C Ta -20...+40 °C (-4...+104 °F) 	<ul style="list-style-type: none"> Ex nA IIC Gc T3B Ta -20...+55 °C (-4...+131 °F) Ex nA IIC Gc T3C Ta -20...+40 °C (-4...+104 °F) Ex tc IIIC Dc T105 °C Ta -20...+55 °C (-4...+131 °F) Ex tc IIIC Dc T90 °C Ta -20...+40 °C (-4...+104 °F) 	<ul style="list-style-type: none"> Class I, Div 2, ABCD T3C Ta -20...+55 °C (-4...+131 °F) Class II, Div 2, FG T4A Ta -20...+55 °C (-4...+131 °F) Class II, Div 2, FG T5 Ta -20...+40 °C (-4...+104 °F) Class III, Div 1&2 Ta -20...+55 °C (-4...+131 °F)

Table 128 - Standards and Certifications

Standards Compliance	Certifications
<ul style="list-style-type: none"> UL 508 UL 1604 CSA C22.2 No. 14 CSA C22.2 No. 213 EN/IEC 60947-1 EN/IEC 60947-5-1 	<ul style="list-style-type: none"> CE Marked cULus Listed (File No. E305538 for Beacons and File No. E305533 for Horns and Combination units) for Class I, Division 2, Groups A, B, C, and D; Class II, Division 2, Groups F & G, and Class III, Division 1 & 2

Tone Selection for 855XC and 855XH Units






To select the required Stage 1 tone, set the 1...6 pins on the DIP switch to the tone setting shown below. If more than one output is required, 2nd and 3rd stage tones are available for use with the selected Stage 1 tone.



Tone Selection

Pin Position on DIP Switch	Stage 1 Tone No.	Tone Type	Tone Description	Stage Alarm Tone	
				2	3
	1	Continuous	340 Hz	2	5
	2	Alternating	800/1000 Hz at 0.25 s	17	5
	3	Slow whoop	500/1200 Hz at 0.3 Hz s	2	5
	4	Sweeping	800/1000 Hz at 1 Hz	6	5
	5	Continuous	2400 Hz	3	20
	6	Sweeping	2400/2900 Hz at 7 Hz	7	5
	7	Sweeping	2400/2900 Hz at 1 Hz	10	5
	8	Sweeping	500/1200/500 Hz at 0.3 Hz	2	5
	9	Sweeping	1200/500 Hz at 1 Hz, DIN PFEER P.T.A.P.	15	2
	10	Alternating	2400/2900 Hz at 2 Hz	7	5
	11	Intermittent	1000 Hz at 1 Hz	2	5
	12	Alternating	800/1000 Hz at 0.875 Hz	4	5
	13	Intermittent	2400 Hz at 1 Hz	15	5
	14	Intermittent	800 Hz, 0.25 s ON, 1 s OFF	4	5
	15	Continuous	800 Hz	18	5
	16	Intermittent	660 Hz, 150 ms ON, 150 ms OFF	2	27
	17	Alternating	544 Hz (100 ms)/440 Hz (400 ms), NFS 32-001	2	5
	18	Intermittent	660 Hz, 1.8 s ON, 1.8 s OFF	2	5
	19	Slow swoop	1.4 kHz...1.6 kHz 1 s, 1.6 kHz...1.4 kHz 0.5 s, NFC 48-265	2	5
	20	Continuous	660 Hz	2	5
	21	Alternating	554 Hz / 440 Hz at 1 Hz	2	5
	22	Intermittent	544 Hz at 0.875 s	2	5

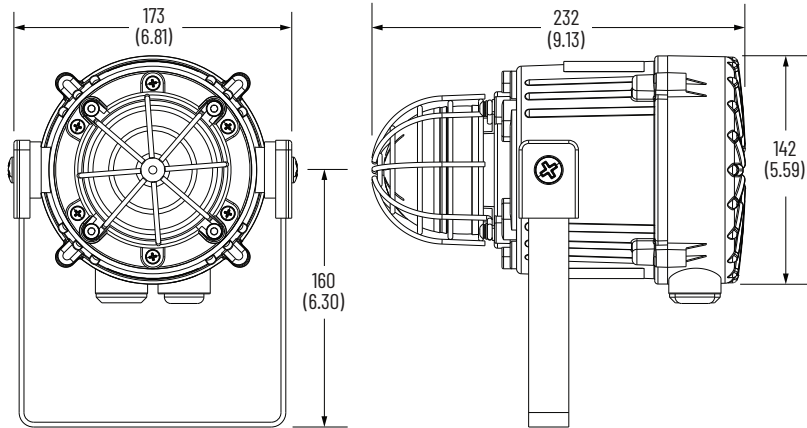
Tone Selection (Continued)

Pin Position on DIP Switch	Stage 1 Tone No.	Tone Type	Tone Description	Stage Alarm Tone	
				2	3
ON 	23	Intermittent	800 Hz at 2 Hz	6	5
ON 	24	Sweeping	800/1000 Hz at 50 Hz	29	5
ON 	25	Sweeping	2400/2900 Hz at 50 Hz	29	5
ON 	26	Bell	–	2	15
ON 	27	Continuous	554 Hz	26	5
ON 	28	Continuous	440 Hz	2	5
ON 	29	Sweeping	800/1000 Hz at 7 Hz	7	5
ON 	30	Continuous	300 Hz	2	5
ON 	31	Sweeping	660/1200 Hz at 1 Hz	26	5
ON 	32	Two-tone chime	–	26	15
ON 	33	Intermittent	745 Hz at 1 Hz	2	5
ON 	34	Alternating	1000 Hz and 2000 Hz at 0.5 s, Singapore	38	45
ON 	35	Continuous	420 Hz at 0.625 s, Australian alert	36	5
ON 	36	Slow swoop	500...1200 Hz 3.75 s / 0.25 s, Australian evac.	35	5
ON 	37	Continuous	1000 Hz, PFEER Toxic Gas	9	45
ON 	38	Continuous	2000 Hz	34	45
ON 	39	Intermittent	800 Hz 0.25 s ON, 1 sec OFF	23	17
ON 	40	Alternating	544 Hz (100 ms) / 440 Hz (400 ms), NFS 32-001	31	27
ON 	41	Motor siren	Slow rise to 1200 Hz	2	5
ON 	42	Motor siren	Slow rise to 800 Hz	2	5
ON 	43	Continuous	1200 Hz	2	5
ON 	44	Motor siren	Slow rise to 2400 Hz	2	5
ON 	45	Intermittent	1 kHz 1 s ON, 1 s OFF, PFEER Gen. Alarm	38	34

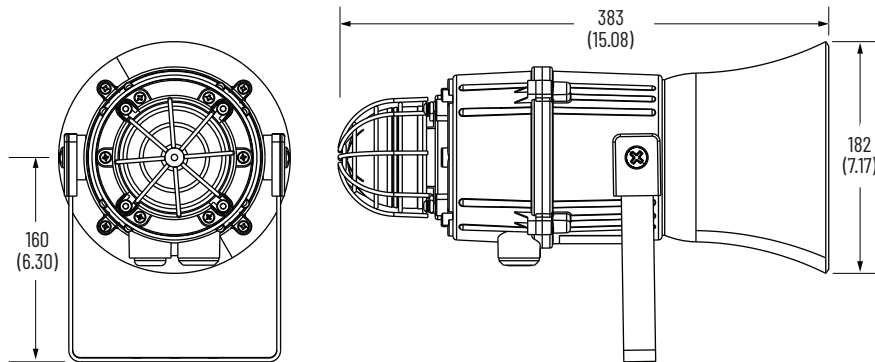
Approximate Dimensions

Dimensions are in millimeters (inches). Dimensions are not intended to be used for manufacturing purposes.

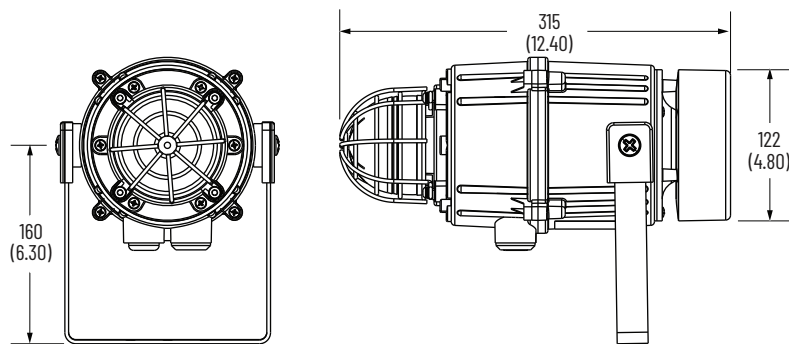
Bulletin 855XB Beacons



Bulletin 855XC Combo Horn/Beacon

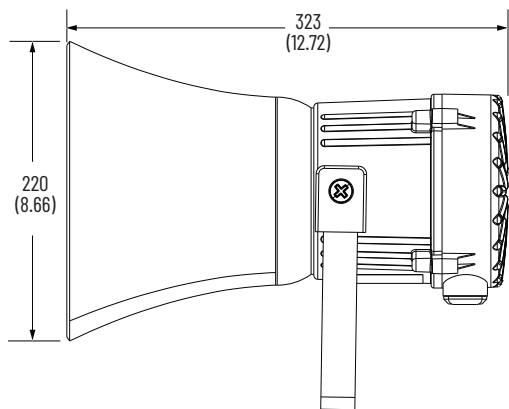


855XC Xenon/Flare Combo

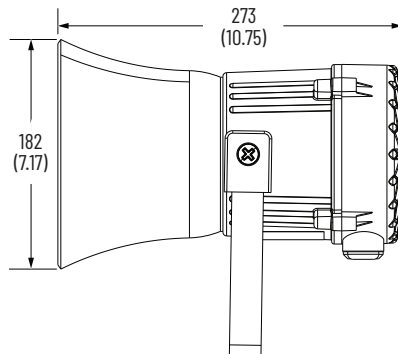


855XC LED/Radial Combo

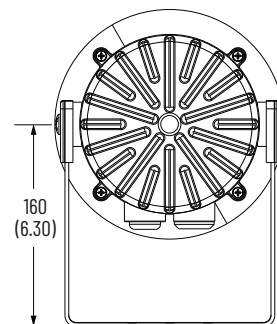
Bulletin 855XH Horns



117 Db



110 Db

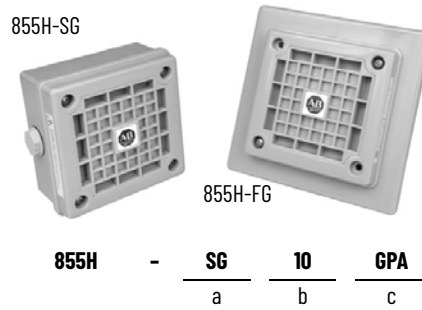


Notes:

This product line includes general-purpose, high-performance, and recordable electronic horns.

General-purpose Electronic Horns

Our general-purpose electronic horns have multi-tone and volume control capabilities. These general-purpose horns can be retrofit directly into most machine panel cutouts or can be mount into traditional 10.2 cm (4 in.) electrical back boxes. The maximum sound output is 108 dB (A) for general-purpose electric horns (which is suitable for most mid-range industrial and institutional, single-status signaling applications) and 113 dB (A) for the enhanced version.



a	
Mounting Type	
Code	Description
FG	Semi-flush wall plate, gray housing
SG	Surface base with two conduit entrances, gray housing


b	
Voltage	
Code	Description
24	24V AC/DC
10	120V AC
20	240V AC
30	10...30V DC
45	40...260V AC/DC, 50/60 Hz

c	
Horn Type (Frame)	
Code	Description
GPA (1)	General-purpose, 108 dbA maximum, single stage/circuit, three tones
GPE (2)	Enhanced version, 113 dbA maximum at 1 m (3.3 ft), two stage, three tones, volume control

(1) Horn Type Code GPA is not valid with Voltage Codes 30 and 45 (Table b).

(2) Horn Type Code GPE is not valid with Mounting Type Code FG (Table a) or with Voltage Code 24, 10, and 20 (Table b).

Accessories

Description	Cat. No.
 M20 hole plug replacement kit For use with 855H-SG only	855H-AHPK

Specifications

Table 129 - Environment

Attribute	Value	
Ingress ratings	Semi-flush mount	UL Type 3R/13, IP54
	Surface mount	UL Type 4/4X/13/3R, IP66
Temperature ranges	Operating	-25...+55 °C (-13...+131 °F)
	Storage	-40...+70 °C (-40...+158 °F)

Table 130 - Materials

Part	Material
Housings including horn cover and base	Polycarbonate
O-ring	NBR
Gasket (mounting type FG)	EPDM/SBR closed-cell foam

Table 131 - Performance Ratings

Attribute		Performance Rating
Sound output	Standard (GPA)	105±3 dbA at 1 m (3.3 ft)
	Enhanced (GPE)	110±3 dbA at 1 m (3.3 ft)

Table 132 - Operating Voltage and Currents

Attribute	Horn Type	DC Voltage	AC Voltage		
			24V AC, 50/60 Hz (±10%)	120V AC, 50/60 Hz (±10%)	240V AC, 50/60 Hz (±10%)
Input voltage ranges	Standard (GPA)	24V DC (±25%)	24V AC, 50/60 Hz (±10%)	120V AC, 50/60 Hz (±10%)	240V AC, 50/60 Hz (±10%)
	Enhanced (GPE)	10...30V DC	40...260V AC/DC		
Input currents at nominal voltage	Standard (GPA)	62 mA	220 mA	40 mA	50 mA
	Enhanced (GPE)	105 mA	—	36 mA	18 mA

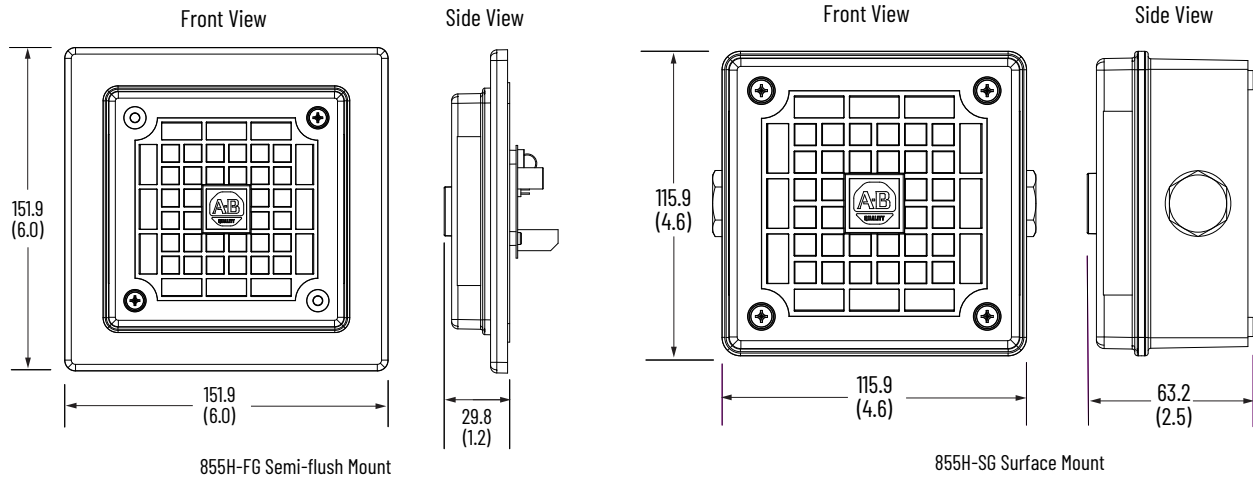
Table 133 - Standards and Certifications: General-purpose Electronic Horns ⁽¹⁾

Standards Compliance	Certifications
<ul style="list-style-type: none"> • UL 464 • CSA C22.2 No. 205 • EN/IEC 60947-1 • EN/IEC 60947-5-1 • EN 6100-6-2 • EN 6100-6-3 	<ul style="list-style-type: none"> • CE Marked • c-UL-us Listed (File No. S6583, Guides UCST, UCST7)

(1) For the most current certification information, use "855H" as the search criteria from rok.auto/certifications.

Approximate Dimensions

Dimensions are in millimeters (inches). Dimensions are not intended to be used for manufacturing purposes.



High-performance Electronic Horns

IMPORTANT The following information applies to 855H high-performance electronic horns - Frames B, C, and E - Series B and Frames A and D - Series A. For information on Series A horns, see publication [855-TD002](#).

The high-performance electric horns with plastic housing are available as a stand-alone electronic horn or with a beacon. Features include:

- 24V DC, 120V AC, and 240V
- IP66 enclosure rating AC
- Square xenon tube illumination available in six colors
- UV-stable plastic enclosure. UL Type 13/3R, IP66 (Frames A, B, D), c-UL-us Type 4/4X/13/3R (Frames C and E)
- Output/tones:
 - Frame A: 100dB/10 tones (1 or 2 stages)
 - Frame B: 110 dB/64 tones (4 stages)
 - Frame C: 113 dB/64 tones (4 stages)
 - Frame D: 119 dB/45 tones (3 stages)
 - Frame E: 124 dB/64 tones (4 stages)



Frame A

Frame C

Frame E

855H - B D30 B D
a b c d

a	
Product Type (Series)	
Code	Description
B	Industrial horn, gray housing

b	
Voltage	
Code	Description
D30 ⁽¹⁾	10...60V DC
A24 ⁽²⁾	24V AC, 50/60 Hz
A10 ⁽²⁾	120V AC, 50/60 Hz
A20 ⁽²⁾	230V AC, 50/60 Hz
A45 ⁽³⁾	24...260V AC, 50/60 Hz

c	
Horn Type (Frame)	
Code	Description
A	100 dB, 10 tone, 2-stage (DC)
	100 dB, 10 tone, 1-stage (AC)
B	110 dB, 64 tone, 4-stage (DC)
	110 dB, 64 tone, 4-stage (AC)
C	113 dB, 64 tone, 4-stage (DC)
	113 dB, 64 tone, 4-stage (AC)
D	119 dB, 45 tone, 3-stage (DC)
	119 dB, 45 tone, 3-stage (AC)
E	124 dB, 64 tone, 4-stage (DC)
	124 dB, 64 tone, 4-stage (AC)

d	
Mount Option	
Code	Description
D	Standard base for surface or on-the-wall mounting with conduit openings and hole plugs

(1) Voltage Code D30 is 10...30V DC for Horn Type (Frame) Code D and 11.5...54V DC for Horn Type (Frame) Code E.

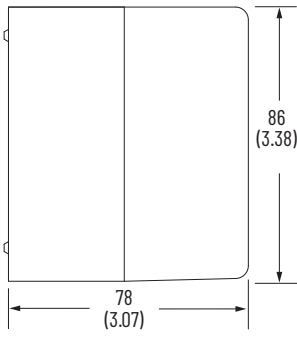
(2) Voltage Codes A24, A10, and A20 are valid only for Horn Type (Frame) Code A.
Voltage Code A24 is not valid for Horn Type Code D.

Voltage Code A10 and A20 are not valid for Horn Type (Frame) Code B, C, or E.

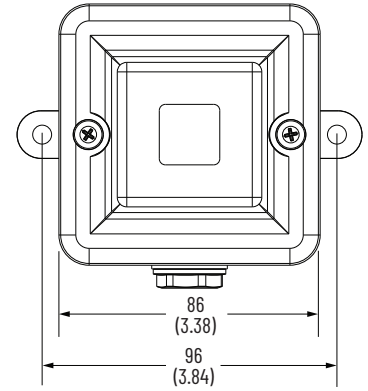
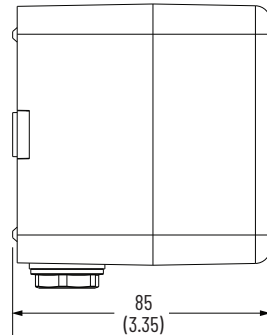
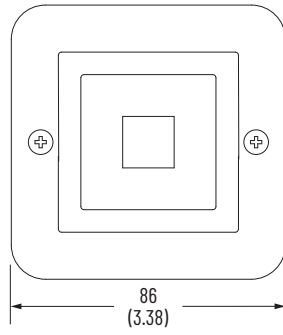
(3) Voltage Code A45 is 100...240V AC for Horn Type (Frame) Code E.

Approximate Dimensions

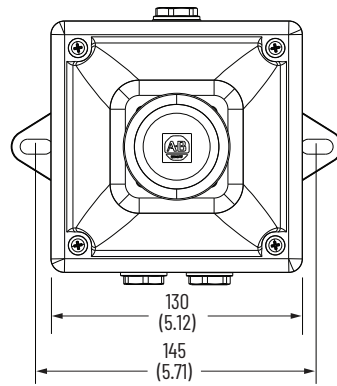
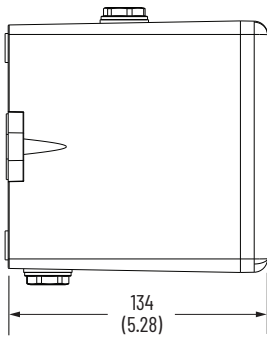
Dimensions are in millimeters (inches). Dimensions are not intended to be used for manufacturing purposes.



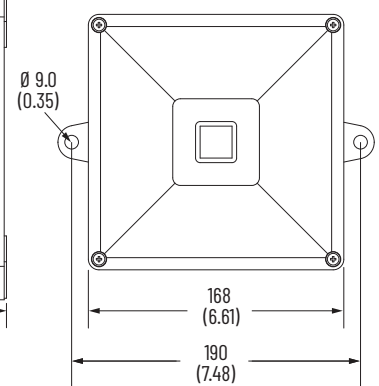
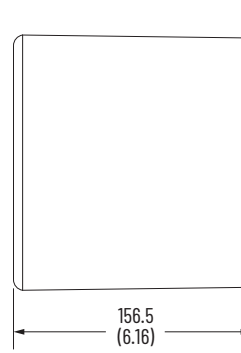
Frame A



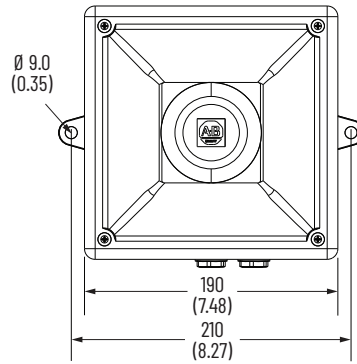
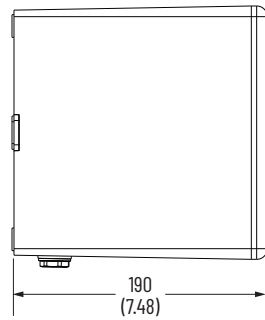
Frame B



Frame C



Frame D



Frame E

High-performance Electronic Horns with Attached Strobe Beacons

IMPORTANT The following information applies to 855H high-performance electronic horns with attached strobe beacons - Frames B, C, and E- Series D and Frames A and D - Series C. For information on series C horns with attached beacons, see publication [855-TD002](#).



Frame A



Frame C



Frame E

855H - BC D12 E D R 3
a b c d e f

a	
Product Type	
Code	Description
BC	Electronic horn with xenon strobe beacon, gray housing

b	
Voltage	
Code	Description
D12	12V DC ⁽¹⁾
D24	24V DC
A24	24V AC, 50/60 Hz ⁽¹⁾
A10	115V AC, 50/60 Hz
A20	230V AC, 50/60 Hz

c	
Horn Type (Frame)	
Code	Description
A	100 dB, 10 tone, 2-stage (DC)
	100 dB, 10 tone, 1-stage (AC)
B	110 dB, 64 tone, 4-stage (DC)
	110 dB, 64 tone, 4-stage (AC)
C	113 dB, 64 tone, 4-stage (DC)
	113 dB, 64 tone, 4-stage (AC)
D	119 dB, 45 tone, 3-stage (DC)
	119 dB, 45 tone, 3-stage (AC)
E	124 dB, 64 tone, 4-stage (DC)
	124 dB, 64 tone, 4-stage (AC)

d	
Mount Option	
Code	Description
D	Standard base for surface or on-the-wall mounting with conduit openings and hole plugs




e	
Illuminated Function	
Code	Description
R	5 J strobe

f	
Lens Color	
Code	Description
3	Green
4	Red ⁽²⁾
5	Amber ⁽²⁾
6	Blue
7	Clear
8	Yellow

(1) Voltage Code D12 and A24 are available only with Horn Type (Frame) Code A.

(2) Horn Type (Frame) Code B, C, D, and E are only available with Lens Color Code 4 or 5.

Accessories

Description		Cat. No.
	M20 hole plug replacement kit	855H-AHPK
	Frame A, B, and beacon light	855H-AGKBAB
	Frame C horn	855H-AGKC
	Frame D horn	855H-AGKD
	Frame E horn	855H-AGKE
	Red	855B-ABLR
	Green	855B-ABLG
	Amber	855B-ABLA
	Blue	855B-ABLB
	Clear	855B-ABLC
	Yellow	855B-ABLY

Specifications

IMPORTANT The maximum shock and vibration standards for the 855H horn in [Table 134](#) are reference guidelines.

Table 134 - Mechanical

Device	Shock	Vibration
Frame A horn	15 G peak	3 G peak
Frame B horn	15 G peak	3 G peak
Frame C horn	15 G peak	3 G peak
Frame D horn	15 G peak	3 G peak
Frame E horn	15 G peak	1 G peak
Frame A horn with strobe beacon	15 G peak	3 G peak
Frame B horn with strobe beacon	15 G peak	3 G peak
Frame C horn with strobe beacon	15 G peak	3 G peak
Frame D horn with strobe beacon	15 G peak	3 G peak
Frame E horn with strobe beacon	15 G peak	1 G peak

Table 135 - Environment

Attribute	Device	Value
Ingress ratings	Electronic horns	Frame A, B, and D: UL Type 13/3R, IP66 Frame C and E: UL Type 4/4X/13/3R, IP66
	Horn with beacon	Frame A, B, and D: UL Type 13/3R, IP66 Frame C and E: UL Type 4/4X/13/3R, IP66
Temperature ranges	Operating	Frames A and D: -25...+55 °C (-13...+131 °F) Frames B, C, E: -40...+66 °C (-40...+151 °F) Canada: -40...+55 °C (-40...+131 °F)
	Storage	-40...+75 °C (-40...+167 °F)

Table 136 - Materials

Part	Material
Horn cover and base	Acrylonitrile butadiene styrene (ABS)
Beacon housing	Polycarbonate
Beacon lens	Polycarbonate
Gasket (cover to base)	Nitrile 70
Gasket (enclosure back to wall)	Nitrile 70
Gasket (horn to beacon)	Nitrile 70
Gasket (screw mounting hole)	Fiber

Table 137 - Performance Ratings

Attribute	Device	Performance Rating
Sound output	Frame A horn	100 dB
	Frame B horn	110 dB
	Frame C horn	113 dB
	Frame D horn	119 dB
	Frame E horn	124 dB
Xenon lamp rating	Strobe beacon	5 J output

Table 138 - Operating Voltage

Device		Frame A	Frame B	Frame C	Frame D	Frame E
DC Voltage (V DC)	All horns	10...30	10...60 60...260	10...60 60...260	10...30	11.5...54
	All horns with strobe beacon	20...28	20...28	20...28	20...28	20...28
AC Voltage (V AC)	All horns	24, 50/60 Hz ($\pm 10\%$) 115, 50/60 Hz ($\pm 10\%$) 230, 50/60 Hz ($\pm 10\%$)	24...260, 50/60 Hz	24...260, 50/60 Hz	115, 50/60 Hz ($\pm 10\%$) 230, 50/60 Hz ($\pm 10\%$)	100...240, 50/60 Hz
	All horns with strobe beacon	24, 50/60 Hz ($\pm 10\%$) 115, 50/60 Hz ($\pm 10\%$) 230, 50/60 Hz ($\pm 10\%$)	115, 50/60 Hz ($\pm 10\%$) 230, 50/60 Hz ($\pm 10\%$)	115, 50/60 Hz ($\pm 10\%$) 230, 50/60 Hz ($\pm 10\%$)	115, 50/60 Hz ($\pm 10\%$) 230, 50/60 Hz ($\pm 10\%$)	115, 50/60 Hz ($\pm 10\%$) 207 ...240, 50/60 Hz

Table 139 - Current Consumption [mA]

Attribute		Frame A	Frame B	Frame C	Frame D	Frame E
Horns	24V DC	25	33.5	33.5	200	430/930
	24V AC, 50/60 Hz	40	N/A	N/A	N/A	N/A
	115V AC, 50/60 Hz	13	25	25	100	173/340
	240V AC, 50/60 Hz	13	17	17	60	105/212
Horns with strobe beacon	12V DC	525	N/A	N/A	N/A	N/A
	24V DC	275	284	284	450	1180
	24V AC	405	N/A	N/A	N/A	N/A
	115V AC	113	95	95	200	410
	240V AC	63	52	52	110	247

Table 140 - Flashing Frequency

Attribute	Frame A	Frame B	Frame C	Frame D	Frame E
Strobe beacon			DC: 1 Hz/ 1.5Hz/ 2x Flash	AC: 1 Hz	

Table 141 - Standards and Certifications: Bulletin 855H High-performance Electronic Horns ⁽¹⁾

Standards Compliance		Certifications
<ul style="list-style-type: none"> • UL 464A • UL 1638A • C22.2 No. 205-17 • EN 60947-1:2007 + A1:2010 + A2:2014 	<ul style="list-style-type: none"> • EN 61000-6-1:2007 • EN 61000-6-2:2005 • EN 61000-6-3:2007 / A1:2011 / AC: 2012 • EN 61000-6-4:2007 / A1: 2011 	<ul style="list-style-type: none"> • CE Marked • c-UL-us Listed (File No. S6583, Guides UCST, UCST7)

(1) For the most current certification information, use "855H" as the search criteria from rok.auto/certifications.election Table

Tone Selection




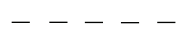


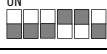

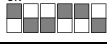






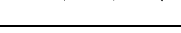

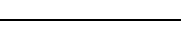

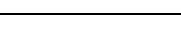

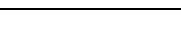

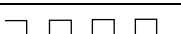






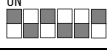
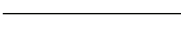

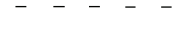

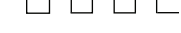



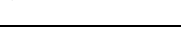

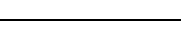

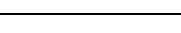
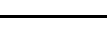



To select the required Stage 1 tone, set the 1...6 pins on the DIP switch to the tone setting shown below. If more than one output is required, 2nd and 3rd stage tones are available for use with the selected Stage 1 tone.



Tone Selection

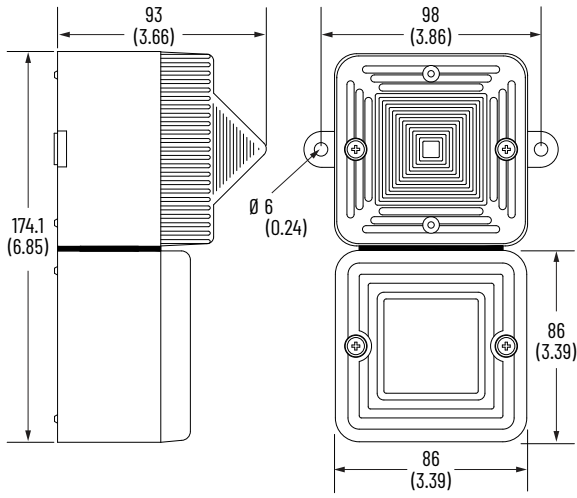
Pin Position on DIP Switch	Stage 1 Tone Number	Tone Type	Tone Description	Tone Visual	Stage Alarm Tone	
					2	3
	1	Continuous	340 Hz		2	5
	2	Alternating	800/1000 Hz at 0.25 s		17	5
	3	Slow swoop	500/1200 Hz at 0.30 Hz 0.5 s		2	5
	4	Sweeping	800/1000 Hz at 1 Hz		6	5
	5	Continuous	2400 Hz		3	20
	6	Sweeping	2400/2900 Hz at 7 Hz		7	5
	7	Sweeping	2400/2900 Hz at 1 Hz		10	5
	8	Sweeping	500/1200/500 Hz at 0.3 Hz		2	5
	9	Sweeping	1200/500 Hz at 1 Hz, DIN/PFEER P.T.A.P.		15	2
	10	Alternating	2400/2900 Hz at 2 Hz		7	5
	11	Intermittent	1000 Hz at 1 Hz		2	5
	12	Alternating	800/1000 Hz at 0.875 Hz		4	5
	13	Intermittent	2400 Hz at 1 Hz		15	5
	14	Intermittent	800 Hz 0.25 s on, 1 s off		4	5
	15	Continuous	800 Hz		2	5
	16	Intermittent	660 Hz 150 ms on, 150 ms off		18	5
	17	Alternating	544 Hz (100 ms)/440 Hz (400 ms), NFS 32-001		2	27
	18	Intermittent	660 Hz 1.8 s on, 1.8 s off		2	5
	19	Slow swoop	1.4 KHz - 1.6 kHz 1 s, 1.6 kHz - 1.4 kHz 0.5 s, NFC 48-265		2	5
	20	Continuous	660 Hz		2	5
	21	Alternating	544 Hz/440 Hz at 1 Hz		2	5
	22	Intermittent	544 Hz at 0.875 s		2	5

Tone Selection (Continued)

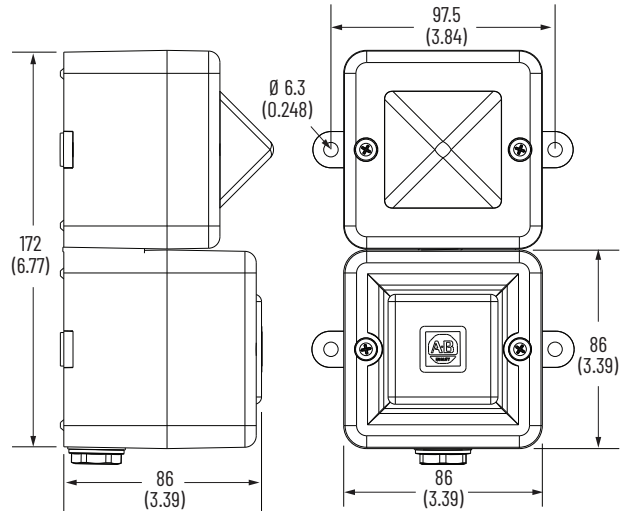
Pin Position on DIP Switch	Stage 1 Tone Number	Tone Type	Tone Description	Tone Visual	Stage Alarm Tone	
					2	3
	23	Intermittent	800 Hz at 2 Hz		6	5
	24	Sweeping	800/1000 Hz at 50 Hz		29	5
	25	Sweeping	2400/2900 Hz at 50 Hz		29	5
	26	Bell	—		2	15
	27	Continuous	554 Hz		26	5
	28	Continuous	440 Hz		2	5
	29	Sweeping	800/1000 Hz at 7 Hz		7	5
	30	Continuous	300 Hz		2	5
	31	Sweeping	660/1200 Hz at 1 Hz		26	5
	32	Two tone chime	—		26	15
	33	Intermittent	745 Hz at 1 Hz		2	5
	34	Alternating	1000 Hz and 2000 Hz at 0.5 s, Singapore		38	45
	35	Continuous	420 Hz at 0.625 s, Australian alert		36	5
	36	Slow swoop	500...1200 Hz 3.75 s / 0.25 s, Australian evacuation		35	5
	37	Continuous	1000 Hz, PFEER toxic gas		9	45
	38	Continuous	2000 Hz		34	45
	39	Intermittent	800 Hz 0.25 s on, 1 s off		23	17
	40	Alternating	544 Hz (100 ms) / 440 Hz (400 ms), NFS 32-001		31	27
	41	Motor siren	Slow rise to 1200 Hz		2	5
	42	Motor siren	Slow rise to 800 Hz		2	5
	43	Continuous	1200 Hz		2	5
	44	Motor siren	Slow rise to 2400 Hz		2	5
	45	Intermittent	1 kHz 1 s on, 1 s off, PFEER gen. alarm		38	34

Approximate Dimensions

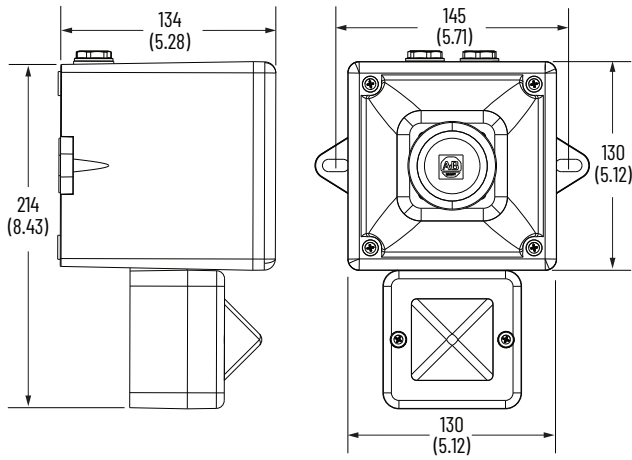
Dimensions are in millimeters (inches). Dimensions are not intended to be used for manufacturing purposes.



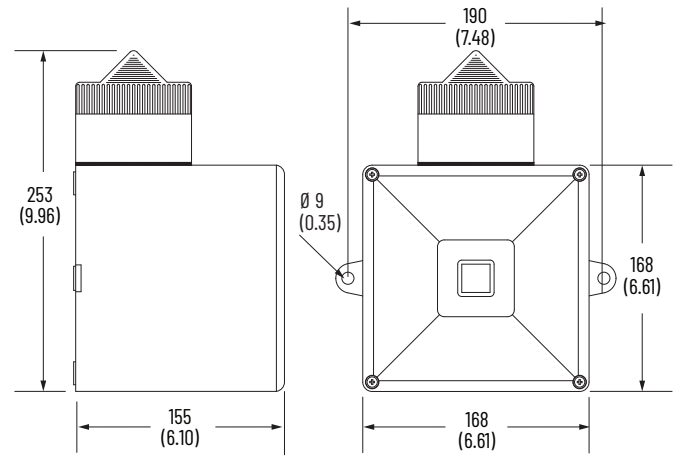
Frame A



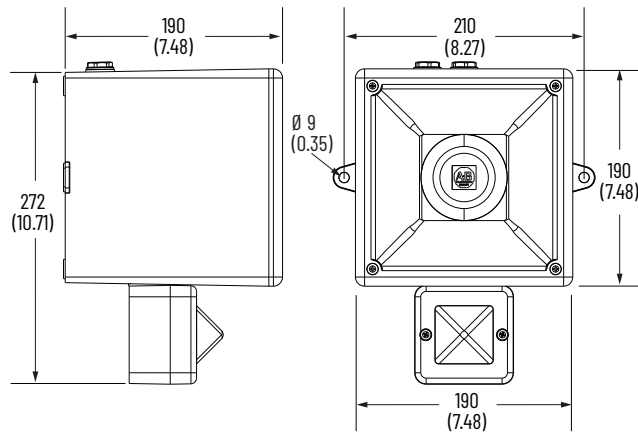
Frame B



Frame C



Frame D



Frame E

Recordable Electronic Horns

Recordable electronic horns are available as a stand-alone electronic horn or with a beacon. You can download melodies or customized tones from any analog device (such as a personal computer or MP3 player). You can also record a voice by speaking directly into the unit via an onboard microphone; you do not need to purchase additional recording hardware or equipment.



Frame C (AC)



Frame C (DC)



Frame E (All Versions)



Flare (All Versions)

855H - $\frac{R}{a}$ $\frac{30}{b}$ $\frac{C}{c}$

a	
Product Type	
Code	Description
R	Recordable horn

b	
Voltage (1)	
Code	Description
30	10...30V DC
45	90...260V AC, 50/60 Hz

c	
Horn Type (Frame)	
Code	Description
C	Frame C, 101 dB (A) voice, 110 dB (A) tone at 1 m (3.3 ft), 45 tones, gray housing
E	Frame E, 111 dB (A) voice, 126 dB (A) tone at 1 m (3.3 ft), 45 tones, gray housing
F	Flare style, 111 dB (A) voice, 126 dB (A) tone at 1 m (3.3 ft), 45 tones, gray housing

(1) Horn Type (Frame) Code C is 10...30V DC.
Horn Type (Frame) Code E and F are 14...30V DC.

Recordable Electronic Horns with Attached LED Beacons



Frame C (AC)



Frame C (DC)



Frame E (All Versions)

IMPORTANT The following information applies to 855H Recordable Electronic Horns with attached LED beacons- Series B. For information on series A, see publication [855-TD002](#).

855H - $\frac{RC}{a}$ $\frac{30}{b}$ $\frac{C}{c}$ $\frac{3}{d}$

a	
Product Type	
Code	Description
RC	Recordable horn with LED beacon, gray housing (1)

b	
Voltage (2)	
Code	Description
30	10...30V DC
45	90...260V AC, 50/60 Hz

c	
Horn Type (Frame)	
Code	Description
C	Frame C, 101 dbA voice, 110 dbA tone at 1 m (3.3 ft), 45 selectable tones, 4 stages
E	Frame E, 111 dbA voice, 126 dbA tone at 1 m (3.3 ft), 45 selectable tones, 4 stages

d	
LED Color	
Code	Description
4	Red
5	Amber

(1) The LED beacon has eight selectable modes: steady/ blinking/ flashing 1 Hz/ flashing 1.5 Hz/ flashing 2 Hz/ flashing 2X/ flashing 3X/ flashing temporal.
(2) Horn Type (Frame) Code C is 10...14/16...30V (default) DC.
Horn Type (Frame) Code E is 16...30V DC.

Specifications

IMPORTANT The maximum shock and vibration standards for the 855H horn in [Table 142](#) are reference guidelines.

Table 142 - Mechanical

Device	Shock	Vibration
Frame C horn	15 G peak	3 G peak
Frame E horn	15 G peak	1 G peak
Flare style	15 G peak	1 G peak
Frame C horn with LED beacon	15 G peak	3 G peak
Frame E horn with LED beacon	15 G peak	1 G peak

Table 143 - Environment

Attribute	Device	Value
Ingress ratings	Electronic horns	Frame C and E: UL Type 3R, 4/4X, 13, IP66 Flare: UL Type 3R, 4/4X, 13, IP66/IP67
	Horn with beacon	
Temperature ranges	Operating	-25...+55 °C (-13...+131 °F)
	Storage	-40...+70 °C (-40...+158 °F)

Table 144 - Materials

Part	Material
Horn cover and base	ABS
Beacon housing	Polycarbonate
Beacon lens	Polycarbonate
Gasket (cover to base)	Nitrile 70
Gasket (enclosure back to wall)	Closed-cell neoprene foam
Gasket (horn to beacon)	Closed-cell neoprene foam
Gasket (screw mounting hole)	Fiber

Table 145 - Performance Ratings

Attribute	Device	Performance Rating
Sound output	Frame C horn	110 dbA tone, 103 dbA music, 101 dbA voice at 1 m (3.28 ft)
	Frame E horn	126 dbA tone, 112 dbA music, 111 dbA voice at 1 m (3.28 ft)
	Flare style	126 dbA tone, 112 dbA music, 111 dbA voice at 1 m (3.28 ft)

Table 146 - Operating Voltage

Device	DC Voltage	AC Voltage
All horns	Frame C: 10...30V DC Frame E and Flare: 14...30V DC	90...260V AC, 50/60 Hz
All horns with LED beacon	Frame C: 10...14/16...30V DC Frame E: 16...30V DC	

Table 147 - Maximum Current Consumption

Attribute	Frame C	Frame E	Flare Style
Horns	24V DC	256 mA	1.51 A
	120V AC, 50/60 Hz	112 mA	542 mA
	230V AC, 50/60 Hz	124 mA	517 mA
Horns with LED beacon	24V DC	343 mA	—
	120V AC, 50/60 Hz	147 mA	577 mA
	230V AC, 50/60 Hz	143 mA	536 mA

Table 148 - Flashing Frequency

Attribute	Frame C	Frame E	Flare Style
LED beacon	steady/ blinking/ flashing 1Hz/ flashing 1.5Hz/ flashing 2Hz/ flashing 2X/ flashing 3X/ flashing temporal		
LED light output	Red	26 cd	
	Amber	100 cd	

Table 149 - Standards and Certifications (1)

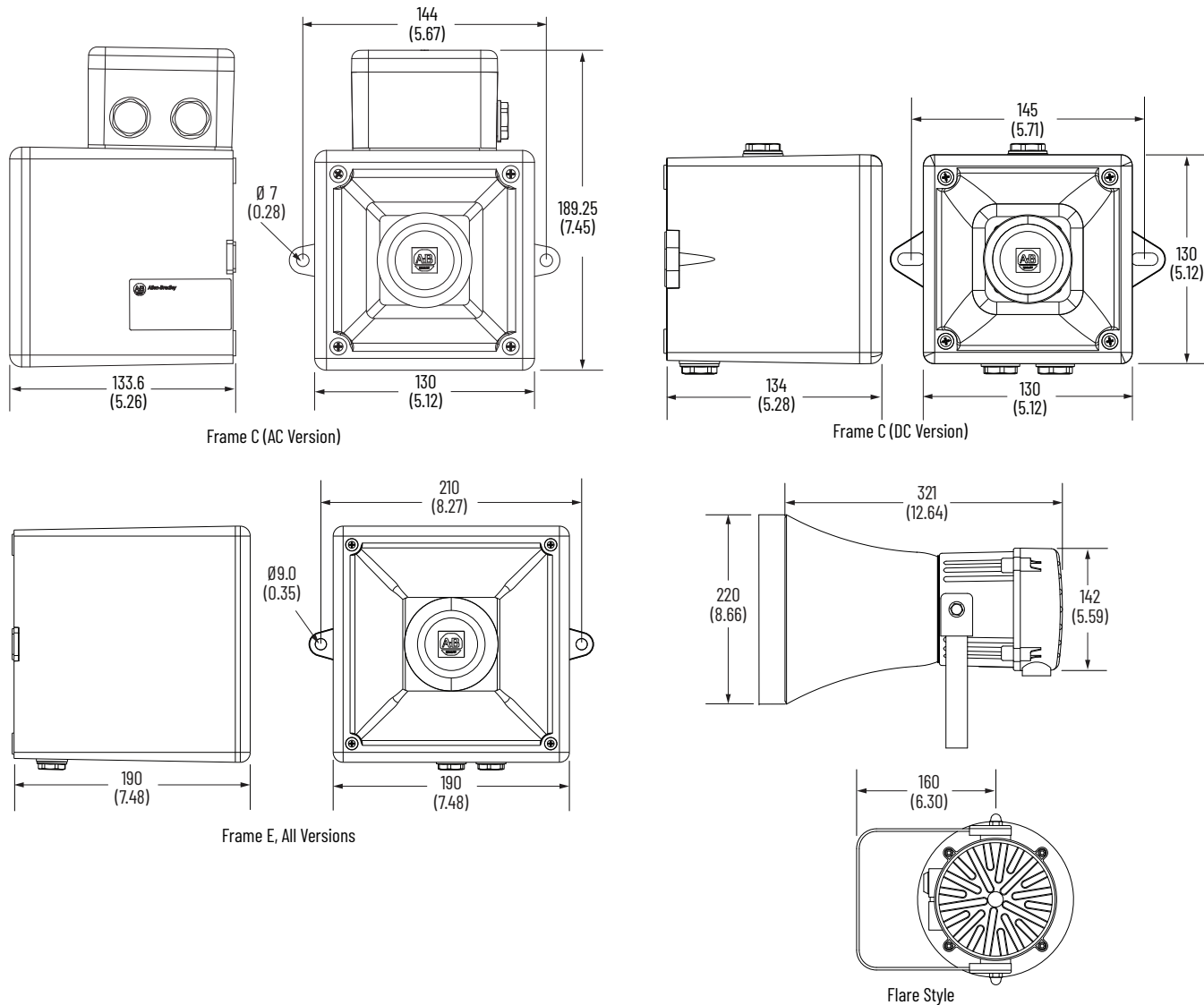
Standards Compliance	Certifications
<ul style="list-style-type: none"> UL 464 UL1638 CSA C22.2 No. 205 - M1983 EN 60947-1:2007 + A2:2014 EN 61000-6-1:2007 EN 61000-6-2:2005 EN 61000-6-3:2007 / A1:2011 / AC: 2012 EN 61000-6-4:2007 / A1: 2011 	<ul style="list-style-type: none"> CE Marked cULus Listed (File No. S6583, Guides UCST, UCST7)

(1) For the most current certification information, use "855H" as the search criteria from rok.auto/certifications.

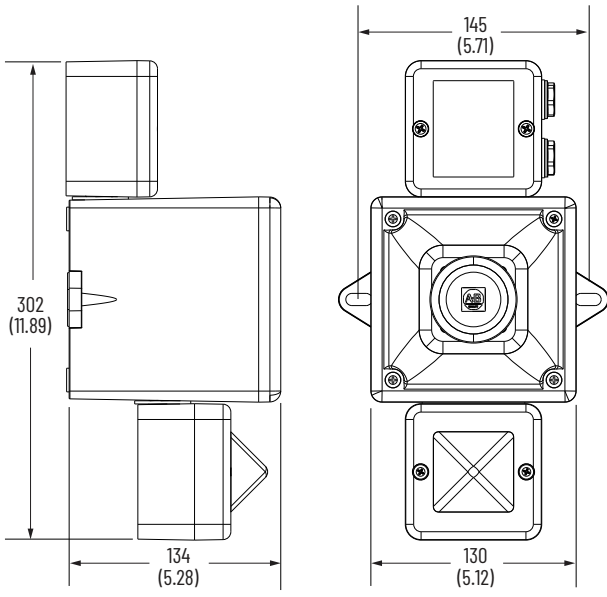
Approximate Dimensions

Dimensions are in millimeters (inches). Dimensions are not intended to be used for manufacturing purposes.

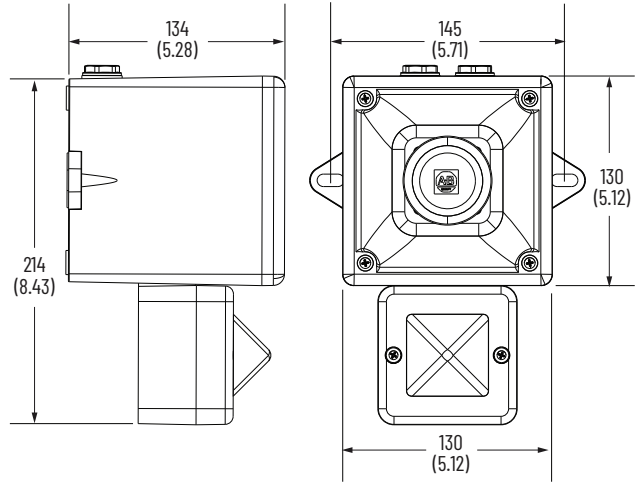
Recordable Electric Horns



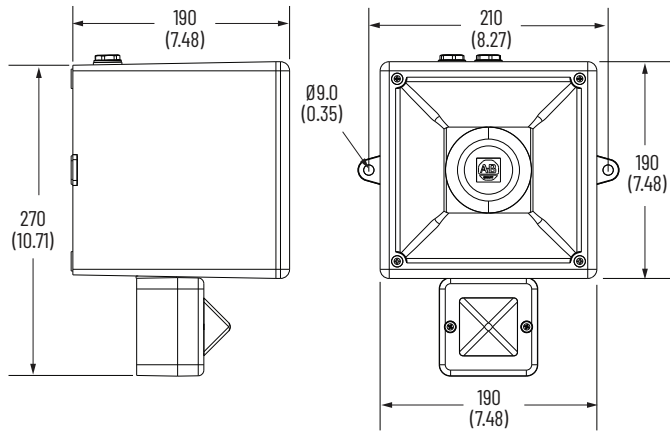
Recordable Electric Horns with a Beacon



Frame C (AC Version)



Frame C (DC Version)



Frame E

High-performance Electronic Metal Horns

High-performance electronic metal horns are available as a stand-alone electronic horn or with a beacon. Features include:

- 24V DC, 120V AC, and 240V AC
- IP66 enclosure rating
- Selectable steady/flashing LED dome-shaped illumination available in five colors
- Marine-grade aluminum enclosure (c-UL-us, Type 4/4X/13/3R)
- Output/Tones: 119 dB/45 tones (3 stages)



855HM - G M D30 D
 a b c d

a	
Housing Color	
Code	Description
G	Gray

b	
Conduit Entry	
Code	Description
M	Two M20 x 1.5 mm conduit entries

c	
Voltage	
Code	Description
D30	10...30V DC
A10	115V AC, 50/60 Hz
A20	230V AC, 50/60 Hz

d	
Horn Type	
Code	Description
D	119 dB, 45 tone, 3-stage

High-performance Electronic Metal Horns with Attached LED Beacon

IMPORTANT The following information applies to 855HM metal electronic horns with an attached LED beacon, Series B. For information on series A, see publication [855-TD002](#).



855HM - C G M D30 D L 4
 a b c d e f g

a	
Product Type	
Code	Description
C	Electronic horn with 8-mode LED beacon

b	
Housing Color	
Code	Description
G	Gray

c	
Conduit Entry	
Code	Description
M	Two M20 x 1.5 mm conduit entries


d	
Voltage	
Code	Description
D30	10...14/16...30V DC
A10	115V AC, 50/60 Hz
A20	230V AC, 50/60 Hz

e	
Horn Type (Frame)	
Code	Description
D	119 dB, 45 tone, 3-stage

f	
Illumination Function	
Code	Description
L	Multifunction LED

g	
Lens Color	
Code	Description
4	Red
5	Amber

Accessories

Description	Cat. No.
 M20 hole plug replacement kit	855H-AHPK

Specifications

IMPORTANT The maximum shock and vibration standards for the 855H horn in [Table 150](#) are reference guidelines.

Table 150 - Mechanical

Device	Shock	Vibration
Metal horn	40 G	3 G
Metal horn with LED beacon	30 G	3 G

Table 151 - Environment

Attribute		Value
Ingress rating	Electronic horn	UL Type 4/4X/13/3R, IP66
	Horn with beacon	UL Type 4/4X/13/3R, IP66
Temperature range	Operating	-25...+55 °C (-13...+131 °F)
	Storage	-40...+70 °C (-40...+158 °F)

Table 152 - Materials

Part	Material
Housing	Marine-grade aluminum AL SI 12 Cu (phosphated and powder-coated)
Screws	Stainless steel
Beacon lens	Clear polycarbonate over glass
Lens cage	Stainless steel
Gasket (cover to base)	O-ring nitrile UL
Gasket (screw mounting hole)	Fiber washer

Table 153 - Performance Ratings

Device	Sound Output at 1 m (3.3 ft)	Volume Control	Number of Tones	Stages
Metal horn	119 dB maximum	Adjustable -12 dB	45	3
LED Output	Red LED beacon	36 cd		
	Amber LED beacon	109 cd		

Table 154 - Operating Voltage

Device	DC Voltage	AC Voltage
Horn	10...30V DC	115V AC 50/60 Hz (±10%) 230V AC 50/60 Hz (±10%)
Horn with beacon	10...14/16...30V DC	115V AC 50/60 Hz (±10%) 230V AC 50/60 Hz (±10%)

Table 155 - Current Consumption

Device	Voltage	Current Consumption
Horns	10...30V DC	270 mA maximum at 30V 200 mA at 24V 100 mA at 12V
	115V AC 50/60 Hz	100 mA
	230V AC 50/60 Hz	60 mA
Horns with LED beacon	10...14/16...30V DC	287 mA at 24V 280 mA at 12V
	115V AC	134 mA
	230V AC	79 mA

Table 156 - Flashing Options

Device	Operating Modes
LED beacon	Steady/Blinking/Flashing 1 Hz/ Flashing 1.5 Hz / Flashing 2 Hz / Flashing 2X / Flashing 3X/ Flashing Temporal

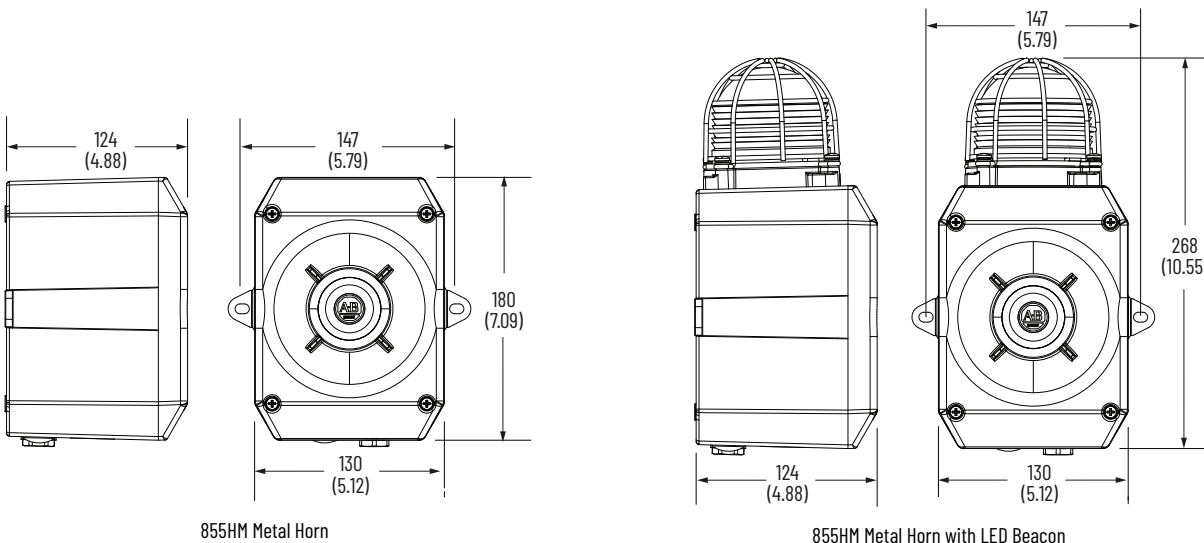
Table 157 - Standards and Certifications ⁽¹⁾

Standards Compliance		Certifications
<ul style="list-style-type: none"> • CSA C22.2 No. 205 - M1983 • EN 60947-1:2007+A2:2014EN 61000-6-1:2007 • EN 61000-6-2:2005 • EN 61000-6-3:2007 / A1:2011 / AC: 2012 	<ul style="list-style-type: none"> • EN 61000-6-4:2007 / A1: 2011 • UL 464 A • UL 1638 A 	<ul style="list-style-type: none"> • CE Marked • cULus Listed (File No. E197159 and S6583, Guides UCST, UCST7)

(1) For the most current certification information, use "855H" as the search criteria from rok.auto/certifications.

Approximate Dimensions

Dimensions are in millimeters (inches). Dimensions are not intended to be used for manufacturing purposes.



Notes:

Bulletin 855XM Hazardous Location Metal Horns

Bulletin 855XM hazardous locations metal horns are designed to alert you to critical equipment and system needs on the plant floor. These alarms are available in a wide variety of light and sound functions, sizes, colors, voltages, and mounting options. These devices are also offered pre-assembled to save time.

- Provides low power consumption and long-life
- Offers horn only or horn and attached beacon with six lens colors
- Offers 24V DC, 120V AC, and 240V AC voltage options
- Includes marine-grade aluminum enclosure with a compact footprint
- Offers -40...+70 °C (-40...+158 °F) operating temperature for Class 1 Division 2
- NEMA Type 4/4X/13, IP66 certified
- ATEX/IECEX, Zone 2 and Zone 22
- Class 1 Zone 2; Class 1 Zone 22

Alarm Horn Sounders



855XM - C G M D24 D A 4
a b c d e f g

a	
Product Type	
Code	Description
H	Horn only ⁽¹⁾
C	Horn with attached xenon strobe ⁽²⁾

b	
Housing Color	
Code	Description
G	Gray

c	
Conduit Entry	
Code	Description
M	Two M20 x 1.5 mm conduit entries

d	
Voltage	
Code	Description
D24	20...28V DC ⁽³⁾
D30	10...30V DC ⁽⁴⁾
A10	115...125V AC 60 Hz
A20	215...250V AC 50 Hz

e	
Horn Type (Frame)	
Code	Description
D	116 dB (A) at 1 m (3.3 ft), 64 tones, 4 stages

f	
Beacon Type	
Code	Description
Blank	No light
A	5 J, strobe
B	10 J, strobe

g	
Lens Color	
Code	Description
Blank	No light
4	Red
5	Amber
7	Clear

- (1) For Product Type Code H: The Beacon Type Code must be Blank and the Lens Color Code must be Blank.
 (2) For Product Type Code C: The Beacon Type Code cannot be Blank and the Lens Color Code cannot be Blank.
 (3) Voltage Code D24 (Table d) is only valid with Beacon Type Code A and B (Table f).
 (4) Voltage Code D30 (Table d) is only valid with Beacon Type Code Blank (Table f).

Accessories



Plastic Lens Insert Color	Cat. No.
Green	855XM-ABL3
Red	855XM-ABL4
Amber	855XM-ABL5
Blue	855XM-ABL6
Clear	855XM-ABL7
Yellow	855XM-ABL8

Specifications

IMPORTANT The maximum shock and vibration standards for the 855H horn in [Table 158](#) are reference guidelines.

Table 158 - Mechanical

Device	Shock	Vibration
Metal horn	40 G	3 G
Metal horn with attached beacon	30 G	3 G

Table 159 - Environment

Attribute	Device	Value
Ingress rating	Horn and horn with attached beacon	UL Type 4/4X/13/3R, IP66
Temperature ranges	Operating	Electronic horn: -40...+50°C (-40...+122 °F) ⁽¹⁾ Horn with attached beacon: -40...+50 °C (-40...+122 °F)
	Storage	Electronic horn and horn with attached beacon: -40...+70 °C (-40...+158 °F)

(1) -40...+70 °C (-40...+158 °F) for Class 1/Div 2.

Table 160 - Materials

Part	Material
Housing (gray powder coat)	Marine grade aluminum (Al Si12 Cu)
Screws	Stainless steel
Beacon lens	Polycarbonate over glass
Lens cage	Stainless steel
Gasket (cover to base)	O-ring fluorosilicone UL
Gasket (screw mounting hole)	Fiber washer

Table 161 - Performance Ratings

Device	Sound Output at 1 m (3.3 ft) ⁽¹⁾	Volume Control	Number of Tones	Stages
Metal horn	116 dbA, maximum	Adjustable -12 dbA	64	4
Device	Light Output (Xenon Strobe Beacon- 5 J)		Light Output (Xenon Strobe Beacon- 10 J)	
Red LED beacon	14.6 cd eff/120,000 cd peak		42.83 cd eff/240,000 cd peak	
Amber LED beacon	45.8 cd eff/350,000 cd peak		130.9 cd eff/700,000 cd peak	
Clear LED beacon	80.6 cd eff/500,000 cd peak		243.1 cd eff/1,000,000 cd peak	

(1) SPL data ±3 dbA. Measured at optimum voltage.

Table 162 - Operating Voltage and Current Consumption

Device	Operating Voltage	Nominal Maximum	Inrush	Leakage Immunity
Horns				
855XM-HGMD30D	10...30V DC	160 mA at 12V DC	611 mA, 11 ms	>3 mA
		313 mA at 24V DC	1809 mA, 9 ms	
		225 mA at 30V DC	2483 mA, 7 ms at 30V DC	
855XM-HGMA10D	115V AC 60 Hz ±10%	89 mA at 115V AC 60 Hz	710 mA, 8 ms	
855XM-HGMA20D	230V AC 50 Hz ±10%	52 mA at 230V AC 60 Hz	350 mA, 7 ms	
Horns with Beacon				
855XM-CGMD24DAx	20...28V DC	513 mA at 24V DC (5 J)	1932 mA, 10 ms	>3 mA
855XM-CGMD24DBx	20...28V DC	876 mA at 24V DC (10 J)	2074 mA, 11 ms	
855XM-CGMA10DAx	115...125V AC, 60 Hz	174 mA at 115V AC (5 J)	975 mA, 3 ms	
855XM-CGMA10DBx	115...125V AC, 60 Hz	320 mA at 115V AC (10 J)	1031 mA, 3 ms	
855XM-CGMA20DAx	215...250V AC, 50 Hz	63 mA at 230V ACDC (5 J)	1607 mA, 3 ms	
855XM-CGMA20DBx	215...250V AC, 50 Hz	100 mA at 230V AC (10 J)	1628 mA, 3 ms	

Table 163 - Flashing Frequency

Device	Frequency
Horns with strobe	1 Hz

Table 164 - Miscellaneous

Attribute	Value
Cable entry	Two M20 x 1.5 mm threaded holes
Terminal blocks	0.5...2.5 mm ² (20...14 AWG)
Grounding stud	M5

Table 165 - ATEX/IECEX Certification

Zone	Group	Temperature Code
855XM Hazardous Location Metal Horn		
Zone 2	Group IIA (propane) Group IIB (ethylene) Group IIC (hydrogen/acetylene)	T1 (450 °C [842 °F]) T2 (300 °C [572 °F]) T3 (200 °C [392 °F]) T4 (135 °C [275 °F])
Zone 22 ⁽¹⁾	Group IIIA (combustible flyings) Group IIIB (non-conductive dust) Group IIIC (conductive dust)	—
855XM-C Hazardous Location Metal Horn with Strobe		
Zone 2	Group IIA (propane) Group IIB (ethylene) Group IIC (hydrogen/acetylene)	T1 (450 °C [842 °F]) T2 (300 °C [572 °F])
Zone 22 ⁽²⁾	Group IIIA (combustible flyings) Group IIIB (non-conductive dust) Group IIIC (conductive dust)	—

(1) Maximum surface temperature for dust applications is 90 °C (194 °F).

(2) Maximum surface temperature for dust applications is 90 °C (194 °F) for Cat. No. 855XM-CGM_DA* and 110 °C (230 °F) for Cat. No. 855XM-CGM_DB*.

Table 166 - Class/Zone Ratings – US

Device	Rating
Horn	<ul style="list-style-type: none"> Class I, Zone 2 AEx nA IIC T4 Gc (Ta -40...+50 °C [-40...+122 °F]) Class I, Zone 22 AEx tc IIIC T90 °C Dc (Ta -40...+50 °C [-40...+122 °F])
Horn with 5 J strobe	<ul style="list-style-type: none"> Class I, Zone 2 AEx nA IIC T2 Gc (Ta -40...+50 °C [-40...+122 °F]) Class I, Zone 22 AEx tc IIIC 120 °C Dc (Ta -40...+50 °C [-40...+122 °F])
Horn with 10 J strobe	<ul style="list-style-type: none"> Class I, Zone 2 AEx nA IIC T1 Gc (Ta -40...+50 °C [-40...+122 °F]) Class I, Zone 2 AEx nA IIC T2 Gc for (Ta -40...+40 °C [-40...+104 °F]) Class I, Zone 22 AEx tc IIIC 120 °C Dc (Ta -40...+50 °C [-40...+122 °F])

All horns (with and without strobe) comply with the following:

- ANSI/UL 60079-0-2013
- ANSI/UL 60079-15-2013
- ISA60079-31-2013

Table 167 - Class/Zone Ratings – Canada

Device	Rating
Horn	<ul style="list-style-type: none"> Ex nA IIC T4 Gc X (Ta -40...+50 °C [-40...+122 °F]) Ex tc IIIC T90 °C Dc (Ta -40...+50 °C [-40...+122 °F]) Class II Div 2 FG T5 (Ta -40...+50 °C [-40...+122 °F])
Horn with 5 J strobe	<ul style="list-style-type: none"> Ex nA IIC T2B Gc X (Ta -40...+50 °C [-40...+122 °F]) Ex nA IIC T2C Gc X (Ta -40...+45 °C [-40...+113 °F]) Ex tc IIIC T120 °C Dc (Ta -40...+50 °C [-40...+122 °F]) Class II, Div 2 FG T4A (Ta -40...+50 °C [-40...+122 °F])
Horn with 10 J strobe	<ul style="list-style-type: none"> Ex nA IIC T1 Gc X (Ta -40...+50 °C [-40...+122 °F]) Ex nA IIC T2 Gc X (Ta -40...+40 °C [-40...+104 °F]) Ex tc IIIC T120 °C Dc (Ta -40...+50 °C [-40...+122 °F]) Class II, Div 2 FG T4A (Ta -40...+50 °C [-40...+122 °F])

All horns (with and without strobe) comply with the following:

- CAN/CSA C22.2 No. 60079-0:11
- CAN/CSA C22.2 No. 60079-15:12
- CAN/CSA C22.2 No. 60079-31:12

Table 168 - Class/Division Ratings – US and Canada

Device	Rating
Horn	<ul style="list-style-type: none"> Class I Div 2, ABCD T3C (Ta -40...+70 °C [-40...+158 °F]) Class I Div 2, ABCD T4 (Ta -40...+65 °C [-40...+149 °F]) Class I Div 2, ABCD T4A (Ta -40...+50 °C [-40...+122 °F]) Class II Div 2, FG T5 (Ta -40...+50 °C [-40...+122 °F]) Class II Div 2, FG T6 (Ta -40...+45 °C [-40...+113 °F]) Class III Div 1 & 2 (Ta -40...+50 °C [-40...+122 °F])
Horn with 5 J strobe	<ul style="list-style-type: none"> Class I Div 2, ABCD T2B (Ta -40...+70 °C [-40...+158 °F]) Class I Div 2, ABCD T2C (Ta -40...+55 °C [-40...+131 °F]) Class I Div 2, ABCD T2D (Ta -40...+40 °C [-40...+104 °F]) Class II Div 2, FG T5 (Ta -40...+50 °C [-40...+122 °F]) Class III Div 1&2 (Ta -40...+50 °C [-40...+122 °F])
Horn with 10 J strobe	<ul style="list-style-type: none"> Class I Div 2, ABCD T1 (Ta -40...+70 °C [-40...+158 °F]) Class I Div 2, ABCD T2 (Ta -40...+50 °C [-40...+122 °F]) Class II Div 2, FG T4A (Ta -40...+50 °C [-40...+122 °F]) Class II Div 2, FG T5 (Ta -40...+104 °F [-40...+40 °C]) Class III Div 1&2 (Ta -40...+50 °C [-40...+122 °F])

All horns (with and without strobe) comply with the following:

- ANSI/ISA 12.12.01 – 2013
- CSA C22.2 No. 213-M1987
- CSA C22.2 No. 157-92:2006

Table 169 - Standards and Certifications ⁽¹⁾

Standards Compliance
<ul style="list-style-type: none"> • c-UL-us Listed UL464/UL 1608 File No. E305533 • CSA C22.2 No. 213-M1987 • CSA C22.2 No. 157-92: 2006 • CE – European Explosive Atmosphere Directive 94/9/EC and European EMC Directive 2004/108/EC • EN60079-0:2012/IEC60079-0: ed. 6.0 (2011-06) • EN60079-15:2010/IEC60079-15: ed. 4.0 (2010-01) • EN60079-31:2009/IEC60079-31:2009 ed. 1.0 (corr. 1 2009)
Certifications
<ul style="list-style-type: none"> • CE Marked • UL Listed for: <ul style="list-style-type: none"> - Class I, Division 2, Groups A, B, C, and D - Class II, Division 2, Groups F and G - Class III, Division 1 and 2 (see Temperature Codes in Table 165 on page 129) • ATEX/IECEx: Zone 2 Groups IIA, B, C and Zone 22 Groups IIIA, B, and C • Ex Rating (Horn): II 3G Ex nA IIC T4 Gc and II 3D Ex tc IIIC T90 °C Dc (Ta -40...+50 °C [-40...+122 °F]) • Ex Rating (Horn with 5 J Strobe): II 3G Ex nA IIC T2 Gc and II 3D Ex tc IIIC T90 °C Dc (Ta -40...+50 °C [-40...+122 °F]) • Ex Rating (Horn with 10 J Strobe): II 3G Ex nA IIC T1 Gc and II 3D Ex tc IIIC T110 °C Dc (Ta -40...+50 °C [-40...+122 °F]); [II 3G Ex nA IIC T2 Gc for Ta -40...+40 °C (-40...+104 °F)]

(1) For the most current certification information, use "855XM" as the search criteria from rok.auto/certifications.

Tone Selection for 855XM



To select the required Stage 1 tone, set the pins 1...6 on the DIP switch to the tone setting shown below. If more than one output is required, 2nd, 3rd, and 4th stage tones are available for use with the selected Stage 1 tone.



Tone Selection

Pin Position on DIP Switch	Stage 1 Tone No.	Tone Type	Tone Description	Tone Visual	Stage Alarm Tone		
					2 (S2)	3 (S3)	4 (S4)
	1	Continuous	1000 Hz PFEER toxic gas	_____	3	2	44
	2	Sweeping	1200/500 at 1 Hz DIN / PFEER P.T.A.P.		1	3	44
	3	Temporal Pattern	1000 at 0.5 Hz (1 s on/1 s off) PFEER gen. alarm		1	2	44
	4	Slow swoop	1.4...1.6 kHz 1 s, 1.6...1.4 kHz 0.5 s, NFC 48-265		44	24	1
	5	Sweeping	544 (100 ms)/440 (400 ms), NFS 32-001		52	19	1
	6	Slow swoop	1500/500 (0.5 s on/0.5 s off) x3 + 1 s gap, AS4428		7	44	1
	7	Sweeping	500...1500 Hz, 2 s on/1 s off, AS4428		6	44	1
	8	Sweeping	500/1200 Hz at 0.26 Hz (3.3 s on/0.5 s off) Netherlands – NEN 2575		44	24	35
	9	Alternating	1000 (1 s on/1 s off) x7 + (7 s on/1 s off) IMO Code 1a		18	34	1
	10				21	34	1
	11	Temporal Pattern	420 (0.5 s on/0.5 s off) x3 + 1 s gap, ISO 8201		44	1	8
	12	Temporal Pattern	1000 (0.5 s on/0.5 s off) x3 + 1 s gap, ISO 8201		44	1	8
	13	Temporal Pattern	422/775 - (0.85 s on/0.5 s off) x3 + 1 s gap, NFPA		44	1	8
	14		1000/2000 at 1 Hz, Singapore		23	3	35
	15	Continuous	300	_____	44	24	35
	16	Continuous	440	_____	44	24	35
	17	Continuous	470	_____	44	24	35
	18	Continuous	500 Hz IMO Code 2 (low)	_____	44	24	35
	19	Continuous	554 Hz	_____	64	24	35
	20	Continuous	660 Hz	_____	44	24	35
	21	Continuous	800 IMO Code 2 (high)	_____	44	24	35
	22	Continuous	1200 Hz	_____	44	24	35

Tone Selection (Continued)

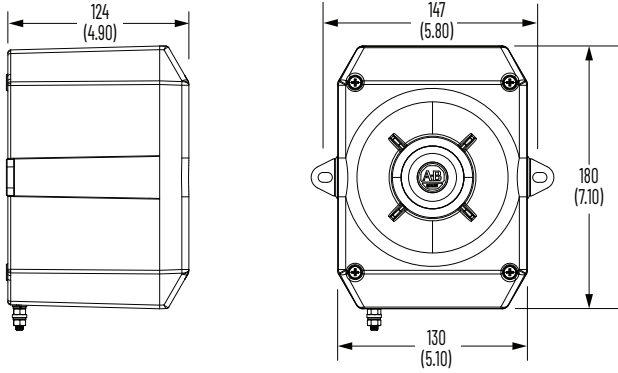
Pin Position on DIP Switch	Stage 1 Tone No.	Tone Type	Tone Description	Tone Visual	Stage Alarm Tone		
					2 (S2)	3 (S3)	4 (S4)
	23	Continuous	2000 Hz		15	3	35
	24	Continuous	2400 Hz		48	20	35
	25	Intermittent	440 at 0.83 Hz (50 cycles/min)		1	44	8
	26	Intermittent	470 at 0.9 Hz 1.1 s		1	44	8
	27	Intermittent	470 at 5 Hz (5 cycles/s)		1	44	8
	28	Intermittent	544 at 1.14 Hz 0.875 s		44	24	8
	29	Intermittent	655 at 0.875 Hz		1	44	8
	30	Intermittent	660 at 0.28 Hz 1.8 s on/1.8 s off		44	24	8
	31	Intermittent	660 at 3.34 Hz 150 ms on/150 ms off		30	24	8
	32	Intermittent	745 at 1 Hz		44	24	8
	33	Intermittent	800 0.25 s on/1 s off		53	24	8
	34	Intermittent	800 at 2 Hz IMO Code 3.a (high)		56	24	8
	35	Intermittent	1000 at 1 Hz		44	24	8
	36	Intermittent	2400 at 1 Hz		21	24	8
	37	Intermittent	2900 at 5 Hz		53	24	8
	38	Alternating	363/518 at 1 Hz		1	8	19
	39	Alternating	450/500 at 2 Hz		1	8	19
	40	Alternating	554/440 at 1 Hz		44	24	19
	41	Alternating	554/440 at 0.625 Hz		1	8	19
	42	Alternating	561/760 at 0.83 Hz (50 cycles/min)		1	8	19
	43	Alternating	780/600 at 0.96 Hz		1	8	19
	44	Alternating	800/1000 at 2 Hz		5	24	19
	45	Alternating	970/800 at 2 Hz		1	8	19
	46	Alternating	800/1000 at 0.875 Hz		53	24	19

Tone Selection (Continued)

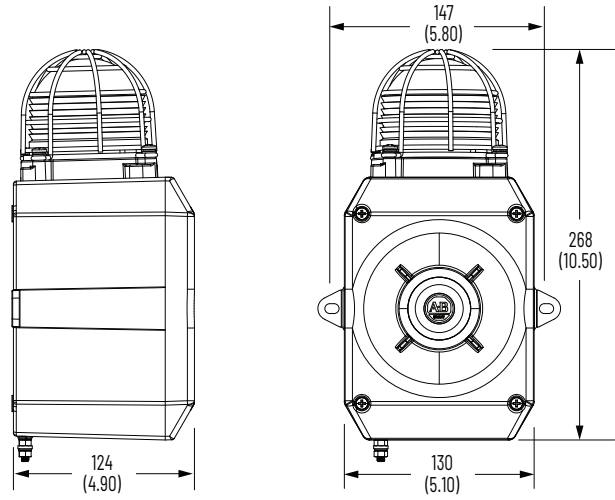
Pin Position on DIP Switch	Stage 1 Tone No.	Tone Type	Tone Description	Tone Visual	Stage Alarm Tone		
					2 (S2)	3 (S3)	4 (S4)
	47	Alternating	2400/2900 at 2 Hz		57	24	19
	48	Sweeping	500/1200 at 0.3 Hz		44	24	12
	49	Sweeping	560/1055 at 0.18 Hz		44	24	12
	50	Sweeping	560/1055 at 3.3 Hz		44	24	12
	51	Sweeping	600/1250 at 0.125 Hz		44	24	12
	52	Sweeping	660/1200 at 1 Hz		64	24	12
	53	Sweeping	800/1000 at 1 Hz		56	24	12
	54	Sweeping	800/1000 at 7 Hz		57	24	12
	55	Sweeping	800/1000 at 50 Hz		54	24	12
	56	Sweeping	2400/2900 at 7 Hz		57	24	12
	57	Sweeping	2400/2900 at 1 Hz		47	24	12
	58	Sweeping	2400/2900 at 50 Hz		54	24	12
	59	Sweeping	2500/3000 at 2 Hz		44	24	12
	60	Sweeping	2500/3000 at 7.7 Hz		44	24	12
	61	Motor Siren	800		44	24	12
	62	Motor Siren	1200		44	24	12
	63	Motor Siren	2400		44	24	12
	64	Simulated bell	—		44	21	12

Approximate Dimensions

Dimensions are in millimeters (inches). Dimensions are not intended to be used for manufacturing purposes.



855XM Hazardous Location Metal Horn



855XM-C Hazardous Location Metal Horn with Xenon Strobe

Additional Resources

These documents contain additional information concerning related products from Rockwell Automation. You can view or download publications at rok.auto/literature.

Resource	Description
Bulletin 855 Signaling Solutions Brochure, publication 855-BR001	Provides information on the complete Bulletin 855 portfolio of signaling solutions.
Industrial Horns Specifications Technical Data, publication 855-TD002	Provides specifications on legacy series 855H industrial horns.
Bulletin 854J 40 mm Control Tower Stack Lights Installation Instructions, publication 854J-IN001	Provides instructions to mount the base, complete electrical connections, and mount the module and cap for Bulletin 854J 40 mm Control Tower stack lights.
Bulletin 854K 60 mm Control Tower Stack Lights Installation Instructions, publication 854K-IN001	Provides instructions to mount the base, complete electrical connections, and mount the module and cap for Bulletin 854K 60 mm Control Tower stack lights.
Bulletin 852C LED Light Indicators Installation Instructions, publication 852C-IN001	Provides instructions to install Bulletin 852C 35 mm LED light indicators.
Bulletin 852D LED Light Indicators Installation Instructions, publication 852D-IN001	Provides instructions to install Bulletin 852D 55 mm LED light indicators.
Bulletin 854J and 854K Control Tower Stack Lights Product Profile, publication 854-PP001	Provides features, benefits, and available components for Bulletin 854J and 854K Control Tower stack lights.
Bulletin 854J, 854K, and 856T Control Tower Stack Lights Accessory Installation Instructions, publication 854-IN001	Provides mounting instructions for Bulletin 854J, 854K, and 856T Control Tower stack lights.
Bulletin 855B Range G Beacon Installation Instructions, publication 855B-IN001	Provides mounting instructions for Bulletin 855B-G miniature square beacons.
Bulletin 855BL/855BM Installation Instructions, publication 855BM-IN002	Provides instructions to mount and complete electrical connections for Bulletin 855BL 160 mm and Bulletin 855BM 120 mm industrial round beacons.
Bulletin 855BS 90 mm Industrial Round Beacons Installation Instructions, publication 855BS-IN002	Provides instructions to mount and complete electrical connections for Bulletin 855BS 90 mm industrial round beacons.
Bulletin 855D 30 mm Compact Control Tower Stack Light Installation Instructions, publication 855D-IN001	Provides a drilling template and instructions to mount and complete electrical connections for Bulletin 855D 30 mm compact Control Tower stack lights.
Bulletin 855E 50 mm Control Tower Stack Lights Installation Instructions, publication 855E-IN002	Provides instructions to mount the base, complete electrical connections, mount the module and cap, install a LED lamp, complete metal foot grounding, and set the piezo single-tone module for Bulletin 855E 50 mm Control Tower stack lights.
Bulletin 855D, 855E, 855F, and 855T Quick-release Base Installation Instructions, publication 856T-IN002	Provides a drilling template and instructions to mount and complete electrical connections for Bulletin 855D, 855E, 855F, 855T, and 855TC quick-release bases.
Bulletin 855H Recordable Horn Product Profile, publication 855H-PP002	Provides features, benefits, and available components for Bulletin 855H recordable horns.
Bulletin 855H Electronic Horn Tone Selection Guide, publication 855H-SG002	Provides tone descriptions and audio samples for Bulletin 855H metal horns.
Bulletin 855H Series B, Frame A High-performance Electronic Horn Installation Instructions, publication 855H-IN002	Provides technical data, mounting instructions, and tone selections for Bulletin 855H series B, frame A high-performance electronic horns.
Bulletin 855H Series B, Frame B High-performance Electronic Horn Installation Instructions, publication 855H-IN010	Provides technical data, mounting instructions, and tone selections for Bulletin 855H series B, frame B high-performance electronic horns.
Bulletin 855H Series B, Frame C High-performance Electronic Horn Installation Instructions, publication 855H-IN011	Provides technical data, mounting instructions, and tone selections for Bulletin 855H series B, frame C high-performance electronic horns.
Bulletin 855H Series B, Frame D High-performance Electronic Horn Installation Instructions, publication 855H-IN005	Provides technical data, mounting instructions, and tone selections for Bulletin 855H series B, frame D electronic horns.
Bulletin 855H-R Frame C Recordable Electronic Horns and 855H-RC Frame C Recordable Electronic Horns with Attached LED Beacons Installation Instructions, publication 855H-IN007	Provides instruction to set up, record, play-back, connect, and select tones for Bulletin 855H-R frame C recordable electronic horns and 855H-RC frame C recordable electronic horns with attached LED beacons.
Bulletin 855H-R Frame F Recordable Electronic Horns and 855H-RC Frame E Recordable Electronic Horns with Attached LED Beacons Installation Instructions, publication 855H-IN008	Provides instruction to set up, record, play-back, connect, and select tones for Bulletin 855H-R frame F recordable electronic horns and 855H-RC frame E recordable electronic horns with attached LED beacons.
Bulletin 855H Series B, Frame E High-performance Electronic Horn Installation Instructions, publication 855H-IN012	Provides technical data, mounting instructions, and tone selections for Bulletin 855H series B, frame E electronic horns.
Bulletin 855H-RC Frame C Recordable Electronic Horns with Attached LED Beacons Installation Instructions, publication 855H-IN013	Provides instruction to set up, record, play-back, connect, and select tones for Bulletin 855H-RC frame C recordable electronic horns with attached LED beacons.
Bulletin 855H-RC Frame E Recordable Electronic Horns with Attached LED Beacons Installation Instructions, publication 855H-IN014	Provides instruction to set up, record, play-back, connect, and select tones for Bulletin 855H-RC frame E recordable electronic horns with attached LED beacons.
Bulletin 855HM Metal Horn with LED Beacon Installation Instructions, publication 855HM-IN002	Provides technical data, mounting instructions, and tone selections for Bulletin 855HM-CGM (series B) metal horns with LED beacons.
Bulletin 855L Light Bar Installation Instructions, publication 855L-IN001	Provides instructions to mount and complete electrical connections for Bulletin 855L light bars.
Bulletin 855P/855PC Panel Mount Alarm Installation Instructions, publication 855P-IN001	Provides instructions to install Bulletin 855P/855PC panel mount alarms.
Bulletin 855PB/855PS Panel Mount Alarm Installation Instructions, publication 855PB-IN001	Provides instructions to install Bulletin 855PB/855PS panel mount alarms.
Bulletin 855PD Panel Mount Alarm Installation Instructions, publication 855PD-IN001	Provides instructions to install Bulletin 855PD panel mount alarms.

Resource	Description
Bulletin 855R Round Beacon Installation Instructions, publication 855R-IN004	Provides instructions to mount and complete electrical connections for Bulletin 855R round beacons.
Bulletin 855T Control Tower Stack Light User Manual, publication 855T-UM001	Provides an overview and instructions to configure, maintain, troubleshoot, and steps to perform offline recovery for Bulletin 855T Control Tower stack lights.
Bulletin 855W Wall-mount Signal Light Installation Instructions, publication 855W-IN001	Provides instructions to install and operate Bulletin 855W wall-mount signal lights.
Bulletin 855XB LED Beacon Installation Instructions, publication 855X-IN004	Provides technical data and instructions to install, complete electrical connections, change flash patterns, and provide maintenance for Bulletin 855XB LED beacons.
Bulletin 855XB Xenon Beacon Installation Instructions, publication 855X-IN003	Provides technical data and instructions to install, complete electrical connections, and provide maintenance for Bulletin 855XB Xenon beacons.
Bulletin 855XC Horn/LED Installation Instructions, publication 855X-IN005	Provides technical data and instructions to install, complete electrical connections, change flash patterns, change tone selection, and provide maintenance for Bulletin 855XC Horn/LED hazardous location signaling devices.
Bulletin 855XC Horn/Xenon Installation Instructions, publication 855X-IN006	Provides technical data and instructions to install, complete electrical connections, change flash patterns, change tone selection, and provide maintenance for Bulletin 855XC Horn/Xenon hazardous location signaling devices.
Bulletin 855XH Horn A Installation Instructions, publication 855X-IN001	Provides technical data and instructions to install, complete electrical connections, change tone selection, and provide maintenance for Bulletin 55XH-BNxxxA hazardous location signaling devices.
Bulletin 855XH Horn B Installation Instructions, publication 855X-IN002	Provides technical data and instructions to install, complete electrical connections, change tone selection, and provide maintenance for Bulletin 855XH-BNxxxB hazardous location signaling devices.
Bulletin 855XM Hazardous Location Metal Horn Installation Instructions, publication 855XM-IN001E	Provides technical data and instructions to install, complete electrical connections, change tone selection, and provide maintenance for Bulletin 855XM-HGMxxxD hazardous location metal horns.
Bulletin 855XM-C Metal Horn with Strobe Installation Instructions, publication 855XM-IN002	Provides instruction to mount, set the volume control, route cables, and select tones for Bulletin 855XM-CGM metal horns with a strobe.
Bulletin 856T 70 mm Control Tower Signaling System Product Profile, publication 856T-PP001	Provides features, benefits, and available components for Bulletin 856T 70 mm Control Tower signaling systems.
Bulletin 856T 70 mm Control Tower Stack Lights Installation Instructions, publication 856T-IN001	Provides instructions to mount the base, complete electrical connections, and mount the module and cap for Bulletin 856T 70 mm Control Tower stack lights.
Bulletin 856T Base Mounting Adapter Drilling Template, publication 856T-IN003	Drilling template for Bulletin 856T base mounting adapter mounting.
Bulletin 856T-BTR3 Sound Module Tone Selection, publication 856T-IN004	Provides a list of available tone selections using the DIP switch.
Bulletin 856T-B24QD and 856TC-QD Installation Instructions, publication 856T-IN005	Provides the mounting procedure and electrical connection instructions for Bulletin 856T-B24QD pre-assembled base and 856TC-QD pre-configured Control Tower stack lights with a 5-pin M12 or 8-pin M12 connector.
Bulletin 856T 70 mm Control Tower Light Module Rotation and Color Selection Settings, publication 856T-IN007	Provides instructions to modify the rotations per minute and color selection for Bulletin 856T 70 mm Control Tower light Modules.
Bulletin 856T-ATM Transition Module Installation Instructions, publication 856T-IN009	Provides instructions to install a Cat. No. 856T-ATM transition module accessory to a Bulletin 855T DeviceNet base.
Bulletin 856T-BH3 Recordable Sound Module Installation Instructions, publication 856T-IN011	Provides instructions for programming and using a recordable sound module for 856T 70 mm Control Tower stack lights.
Bulletin 856T-B24LC IO-link Module Installation Instructions, publication 856T-IN013	Provides the mounting procedure and connection for the IO-link module for 856T 70 mm Control Tower stack lights.
Bulletin 856T-B24LC 70 mm Control Tower IO-Link Class B Light and Sound Module Controller User Manual, 856T-UM001	Provides an overview, quick start instruction, and instructions to install, mount, configure, operate, and troubleshoot Cat. No. 856T-B24LC.
Industrial Components Preventive Maintenance, Enclosures, and Contact Ratings Specifications, publication IC-TD002	Provides a quick reference tool for Allen-Bradley industrial automation controls and assemblies.
Industrial Automation Wiring and Grounding Guidelines, publication 1770-4.1	Provides general guidelines for installing a Rockwell Automation industrial system.
Product Certifications website, rok.auto/certifications	Provides declarations of conformity, certificates, and other certification details.

Notes:

Rockwell Automation Support

Use these resources to access support information.

Technical Support Center	Find help with how-to videos, FAQs, chat, user forums, Knowledgebase, and product notification updates.	rok.auto/support
Local Technical Support Phone Numbers	Locate the telephone number for your country.	rok.auto/phonesupport
Technical Documentation Center	Quickly access and download technical specifications, installation instructions, and user manuals.	rok.auto/techdocs
Literature Library	Find installation instructions, manuals, brochures, and technical data publications.	rok.auto/literature
Product Compatibility and Download Center (PCDC)	Download firmware, associated files (such as AOP, EDS, and DTM), and access product release notes.	rok.auto/pcdc





Documentation Feedback

Your comments help us serve your documentation needs better. If you have any suggestions on how to improve our content, complete the form at rok.auto/docfeedback.

Allen-Bradley, Control Tower, expanding human possibility, On-Machine, and Rockwell Automation are trademarks of Rockwell Automation, Inc. Trademarks not belonging to Rockwell Automation are property of their respective companies.

Rockwell Automation maintains current product environmental compliance information on its website at rok.auto/pec.

Rockwell Otomasyon Ticaret A.Ş. Kar Plaza İş Merkezi E Blok Kat:6 34752, İçerenköy, İstanbul, Tel: +90 (216) 5698400 EEE Yönetmeliğine Uygundur

Connect with us.    

rockwellautomation.com ————— **expanding human possibility®**

AMERICAS: Rockwell Automation, 1201 South Second Street, Milwaukee, WI 53204-2496 USA, Tel: (1) 414.382.2000

EUROPE/MIDDLE EAST/AFRICA: Rockwell Automation NV, Pegasus Park, De Kleetlaan 12a, 1831 Diegem, Belgium, Tel: (32) 2663 0600

ASIA PACIFIC: Rockwell Automation SEA Pte Ltd, 2 Corporation Road, #04-05, Main Lobby, Corporation Place, Singapore 618494, Tel: (65) 6510 6608

UNITED KINGDOM: Rockwell Automation Ltd., Pitfield, Kiln Farm, Milton Keynes, MK11 3DR, United Kingdom, Tel: (44)(1908) 838-800

Publication 855-TD001P-EN-P - October 2024

Supersedes Publication 855-TD0010-EN-P - April 2024

Copyright © 2024 Rockwell Automation, Inc. All rights reserved. Printed in the U.S.A.