

Joysticks



The ECX4500 line of panel Joysticks are for mounting in a 22.5mm cut-out. This family consists of a 21 different models - 10 of them with a short lever (55mm total) and 10 with a long lever (79mm), plus a wobble-joystick option.

Features and Specifications

- Designed for 22.5mm round holes
- 20 joystick models and 1 wobble-joystick model
 - 2 heights: 55mm and 79mm
- 1, 2 or 4 positions
- Maintained or spring return positions
- ECX contact blocks (NC/NO) and ECX4029 mounting bases used
- Each joystick comes with a mounting base and appropriate number of contact blocks
- **Operating temperature:** -25 to 70°C
- **IP rating:** IP65
- **Approvals** (contact blocks): cULus (#E189258)



The wobble joystick (ECX4530) is actuated by lever movement in any direction; contacts are not included with this model.

Joysticks (Order by Part No.)

Part No.	Height(mm)	Position(s)	Operation
ECX1510-01	79mm	2	Spring return (Flexible), Metal body
ECX1510	79mm	2	Spring return, Metal body
ECX1510S	79mm	2	Spring return with Guard, Metal body
ECX4515	79mm	1	Spring return
ECX4516	79mm	1	Maintained
ECX4510	79mm	2	Spring return
ECX4511	79mm	2	1 Maintained / 1 Spring Return
ECX4512	79mm	2	Maintained
ECX4520	79mm	4	Spring return
ECX4521	79mm	4	1 Maintained / 3 Spring Return
ECX4522	79mm	4	2 Maintained / 2 Spring Return
ECX4523	79mm	4	3 Maintained / 1 Spring Return
ECX4524	79mm	4	Maintained
ECX4545	55mm	1	Spring return
ECX4546	55mm	1	Maintained
ECX4540	55mm	2	Spring return
ECX4541	55mm	2	1 Maintained / 1 Spring Return
ECX4542	55mm	2	Maintained
ECX4550	55mm	4	Spring return
ECX4551	55mm	4	1 Maintained / 3 Spring Return
ECX4552	55mm	4	2 Maintained / 2 Spring Return
ECX4553	55mm	4	3 Maintained / 1 Spring Return
ECX4554	55mm	4	Maintained
ECX4530	68mm	1	Wobble



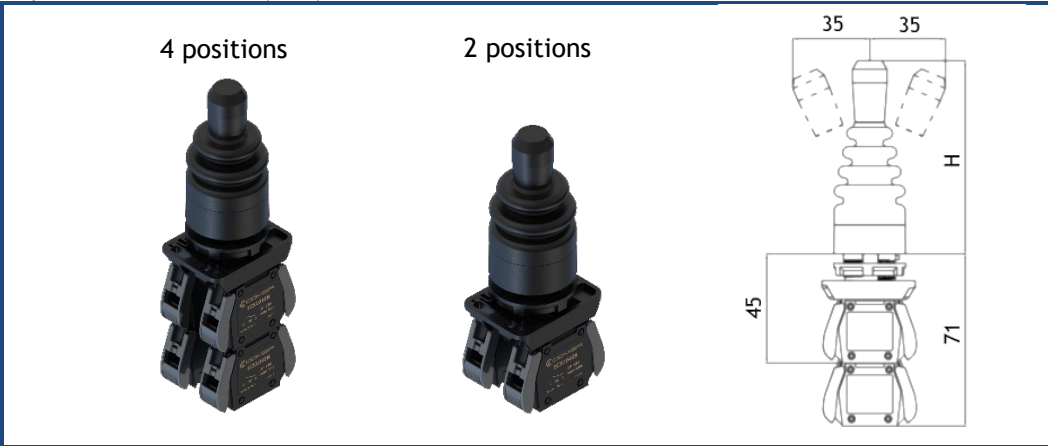
Information subject to change without notice

Joystick Accessories (Order by Part No.)

Part No.	Description
ECX4029	Mounting bases for ECX4000 series
ECX1030N	Contact block, NC, marked 1/2, Red
ECX1040N	Contact block, NO, marked 3/4, Green
ECX1041N	Contact block, NC, marked 1/2, Grey, for use on 4 position joysticks only with ECX1040N

Information subject to change without notice

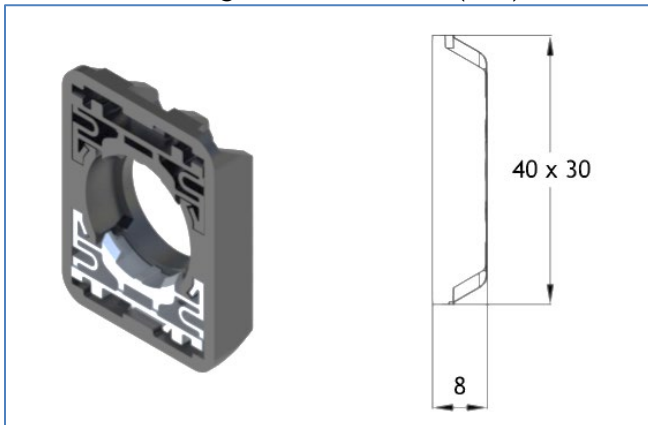
Joystick Dimensions (mm)



H - is either 55 or 79mm dependent on model

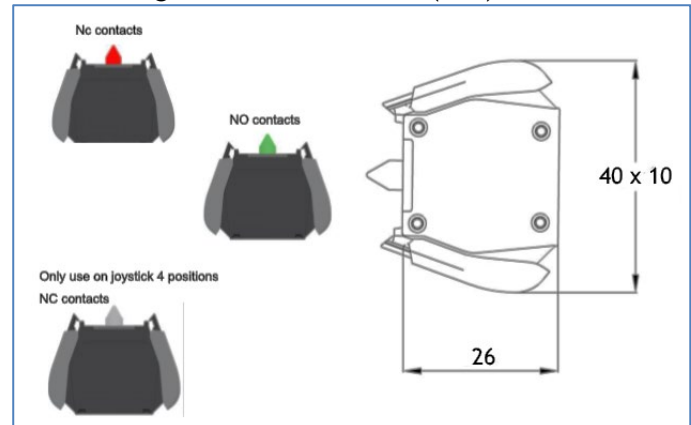
Information subject to change without notice

ECX4029 Mounting Base Dimensions (mm)



Information subject to change without notice

Latch Fixing Contact Dimensions (mm)



Information subject to change without notice